

CHILDREN'S ELECTRONIC TOY ATV



WARNING

Must be assembled by an adult.

- Suitable for 3+ Years
- Maximum user weight: 50 kg

OWNERS MANUAL

with Assembly Instructions

Read and understand this entire manual before using!

Please keep this manual for future reference as it contains important information. Before first time use, charge the battery for at least 4-6 hours.

A

About Your New Vehicle

On the purchase of your new Ride-On.

This ride-on car will provide your child with many miles of riding of enjoyment. To help assure you and your rider a safe ride we ask you to please read this manual carefully, and keep it for future reference.

Follow the recommendations in this manual, they are designed to improve the safety and operation of your ride-on car and its rider.

Specification

	2WD	4WD	4WD
Battery	12V7AH X1	12V7AH X2	12V10AH X1
Charger	12V1000mA	12V1500mA	12V1000mA
input	Depend on local voltage		
Motor	550-12000	550-10000	550-10000

Suitable age:

3+ Years

Charge time:

8~12 hours

Load capacity:

Under 50 kg

Size of car:

124 x 82.6 x 81 cm

Speed:

3-8 km/h



BATTERY INFORMATION

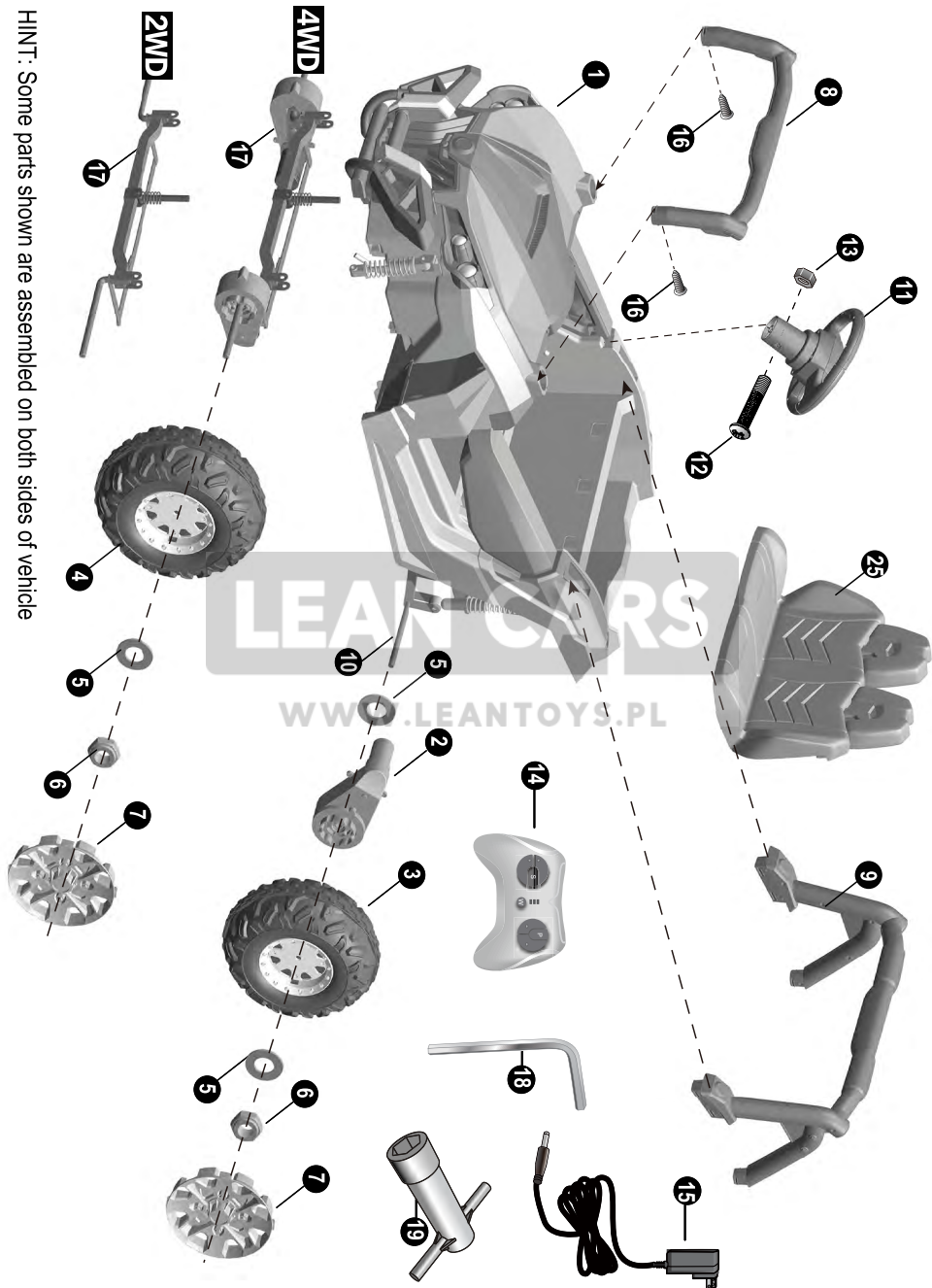
- Non-rechargeable batteries are not to be recharged.
- If removable rechargeable batteries are used, they are only to be charged under adult supervision.
- Remove rechargeable batteries from the product before charging.
- Do not mix old and new batteries. Do not mix different types of batteries: alkaline, standard (carbon-zinc) or rechargeable (nickel-cadmium).
- Insert batteries as indicated inside the battery compartment, anode to anode, cathode to cathode.
- Remove batteries during long periods of non-use. Always remove exhausted batteries from the product. Battery leakage and corrosion can damage this product. Dispose of batteries safely.
- Never short circuit the battery terminals.

Parts List

B

NO.	PART NAME	QTY (PCS)		REMARK
		2WD	4WD	
1	Vehicle body	1	1	
2	Gear box	2	2	
3	Driving wheel	2	4	
4	Front wheel	2	\	
5	Φ12 washer	8	8	
6	Lock nut	4	4	
7	Wheel cover	4	4	
8	Windshield	1	1	
9	Rear light bar	1	1	
10	Rear axle	1	1	
11	Steering wheel	1	1	
12	M5X45 machine screw	1	1	
13	Φ5 nut	1	1	
14	Remote controller	1	1	If equipped
15	Charger	1	1	
16	Φ 4x16 screw	2	2	
17	Front axle	1	1	
18	Hex wrench	2	2	
19	Spanner	2	2	
20	Mp3 cable	1	1	If equipped, none shown
21	Φ10 plastic washer	1	1	Not shown in Parts Diagram
22	Φ8 plastic washer	8	8	Not shown in Parts Diagram
23	Split pin	1	1	Not shown in Parts Diagram
24	Vehicle key	1	1	If equipped, none shown
25	Seat	1	1	

Parts Diagram



HINT: Some parts shown are assembled on both sides of vehicle



PREVENT INJURIES AND DEATHS:

- **NEVER LEAVE CHILD UNATTENDED. ADULT DIRECT SUPERVISION IS REQUIRED.** Always keep child in view when child is in vehicle.
- This toy should be used with caution since skill is required to avoid falls or collisions causing injury to the user or third parties.
- Protective equipment should be worn.
- Never use in roadways, near cars, or on near steep inclines or steps, swimming pools or other bodies of water.
- Always wear shoes, always sit on the seat.
- Not to be used in traffic.
- This toy is unsuitable for children under 36 months due to its maximum speed; Maximum user weight is 50 kg.
- This toy has no brake.

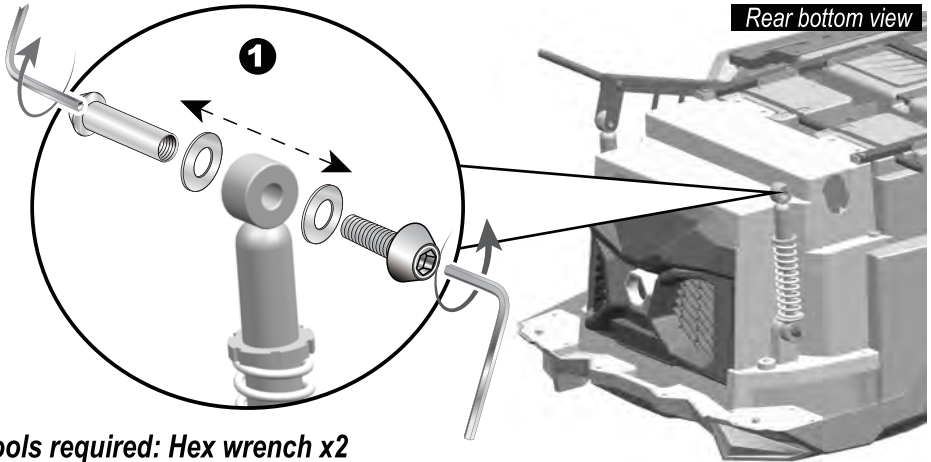


WARNING:

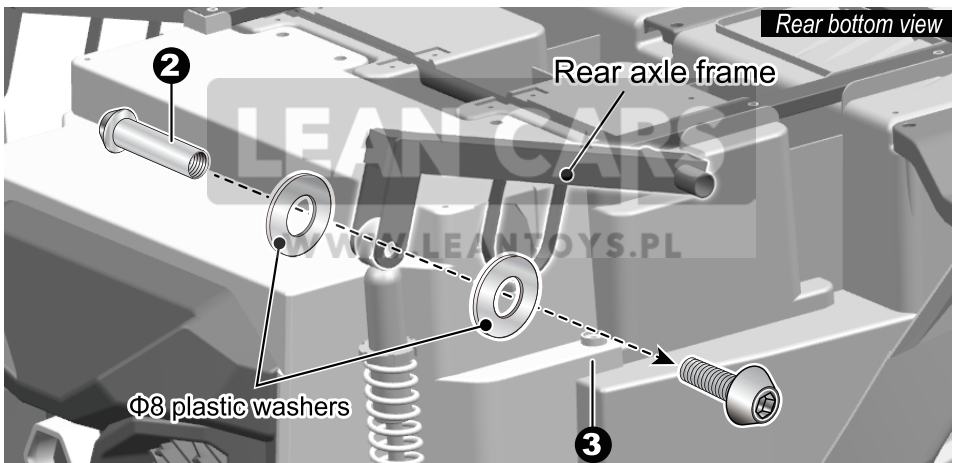
- **CHOKING HAZARD!** Not suitable for children under 36 months.
- **Must be assembled by an adult.**

Rules for Safe Riding

- Keep Children within Safe Riding Areas:
 - Never use in roadway, near motor vehicles, on lawn space, on or near steep inclines or steps, swimming pools or other bodies of water;
- Use the toy only on flat surfaces. Such as inside your house, garden or playground.
- Never use in the dark. A child could encounter unexpected obstacles and have an accident. Operate the vehicle only in the daytime or a well-lit area.
- It is prohibited to change the circuit or add other electric parts
- Inspect wires and connections of the vehicle periodically.
- Do not let any child touch the wheels or be near them when the car is moving .
- This vehicle has adjustable play seat belts. Please instruct children how to tie the safety belt before using, guarantee the security.

E**Attach the Rear Shock Absorbers**

Tools required: Hex wrench x2



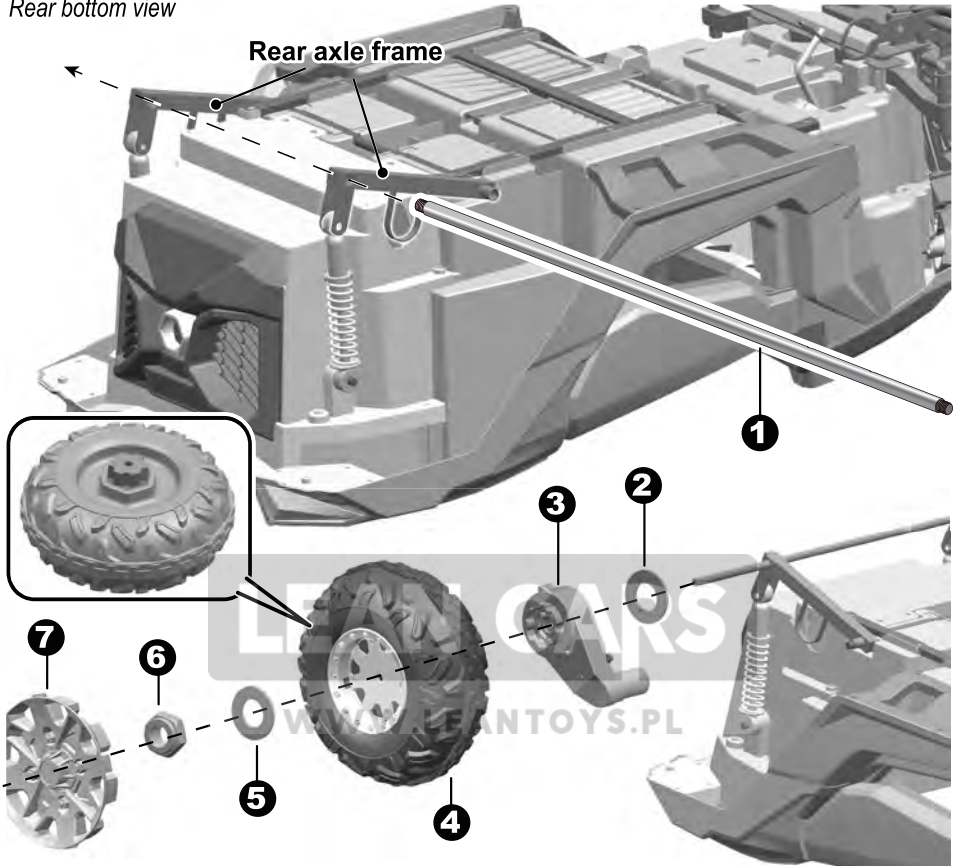
Turn the vehicle body downside up.

1. Remove the nuts, $\Phi 8$ plastic washers and screws from the rear shock absorbers with two hex wrenches.
2. Line up the holes on the rear axle frame with the holes on the rear shock absorber, and reinsert the screw, and fasten the nut on the opposite side.

Attach the Rear Wheels

E

Rear bottom view



Cut off the plastic ties on the rear axle frames with a scissors. Release the gear boxes, but DO NOT disconnect the connectors of the gear boxes.

1. Insert the rear axle into holes on the rear axle frames.
2. Slide a $\Phi 12$ washer onto the rear axle.
3. Slide the gear box onto the rear axle.
4. Slide the driving wheel onto the rear axle. ensure the wheel match up with the gear box.
5. Slide another $\Phi 12$ washer onto the rear axle.
6. Tighten a lock nut to the end of the rear axle with a spanner.

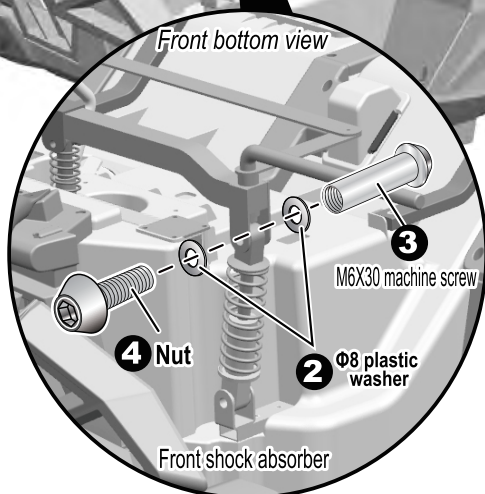
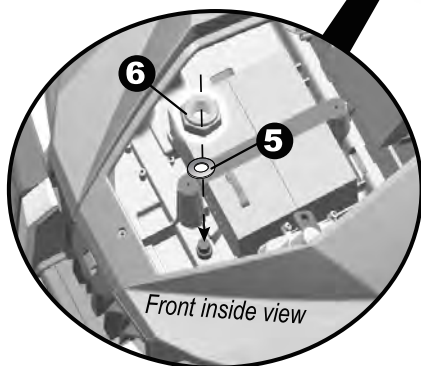
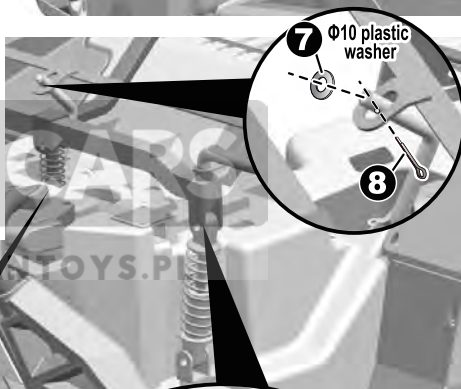
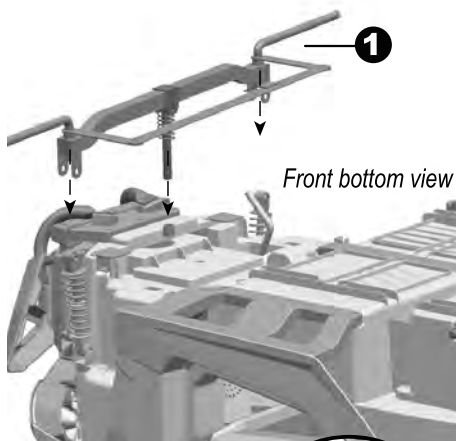
Repeat the above procedure to assemble the other rear wheel to the rear axle.

HINT: An extra spanner has been provided to hold the Lock Nut on the other side of the rear axle while tightening the Lock Nut on the other side.

7. Insert the tabs on the wheel cover into the slots on the wheel.

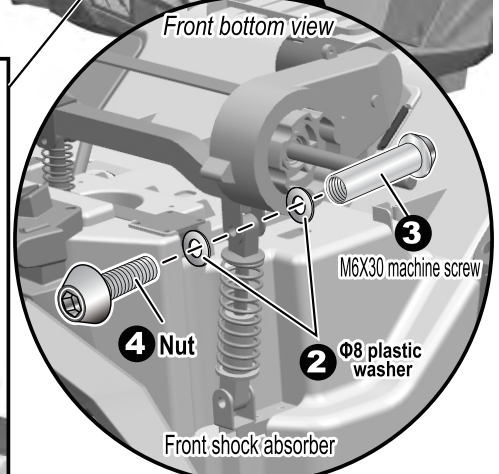
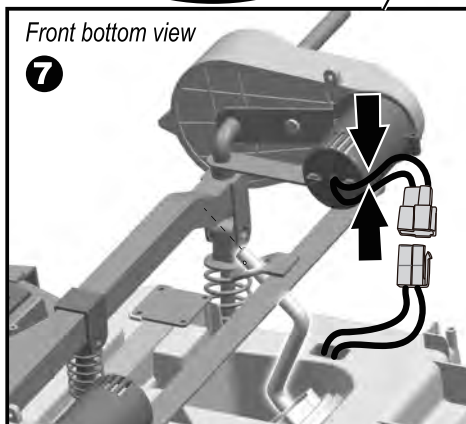
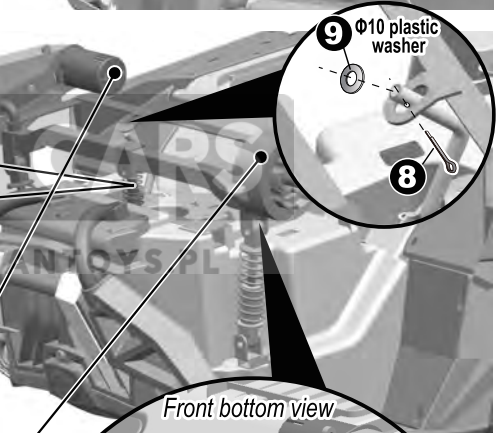
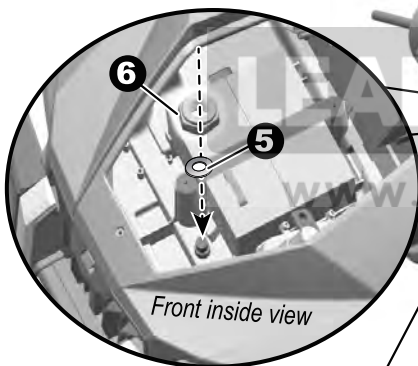
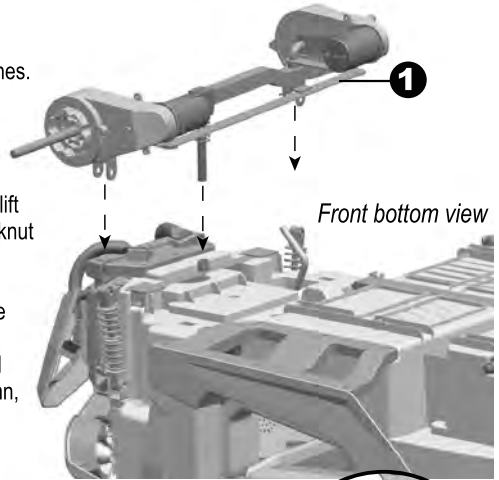
1. Fit the front axle to the front of the vehicle.
- 2-4. Remove the screws, **Φ8 plastic washer *2** and the nuts from the rear shock absorbers with two hex wrenches. Line up the holes on the front axle frame with the holes on the front shock absorber, and reinsert the screw, **Φ8 plastic washer *2** and fasten the nut on the opposite side. Repeat for the other side.
- 5-6. Press the button located at the front of hood and lift up the hood. Slide a $\Phi 12$ washer and tighten a locknut with a spanner.
- 7-8. Insert the bent end of the steering column into the hole on the front axle linkage. Fit a **Φ10 plastic washer** to the bent end of the steering column and insert a split pin into the hole on the steering column, bend the ends of split pin back using a long nose pliers (not included).

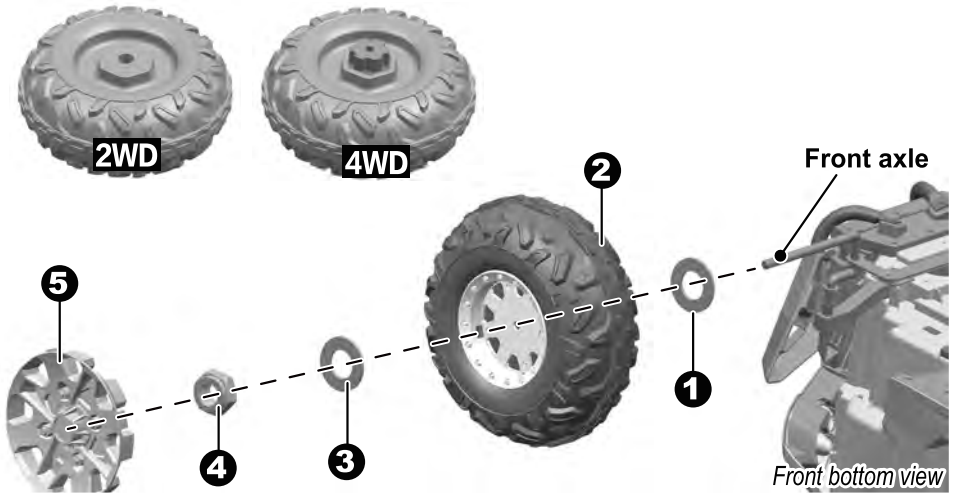
HINT: You may tighten the nuts on the shock absorber to adjust the tightness of the shock absorbers.



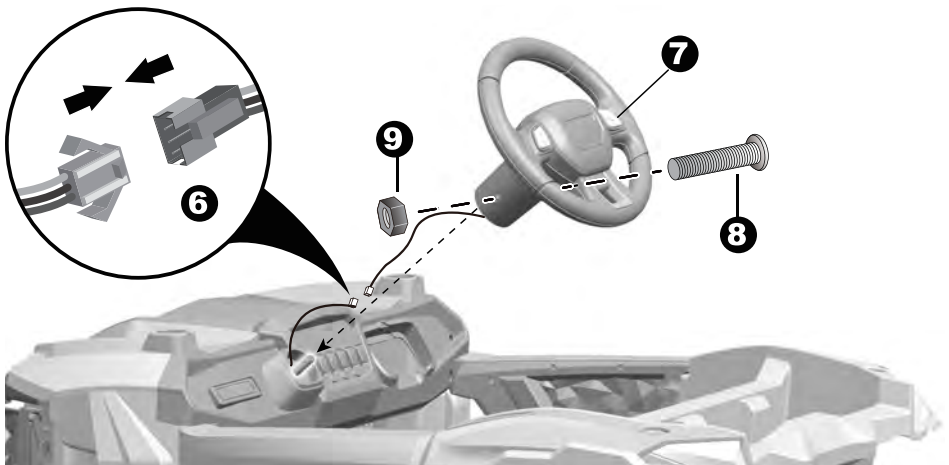
1. Fit the front axle to the front of the vehicle.
- 2-4. Remove the screws, $\Phi 8$ washer *2 and the nuts from the rear shock absorbers with two hex wrenches. Line up the holes on the front axle frame with the holes on the front shock absorber, and reinsert the screw, $\Phi 8$ washer *2 and fasten the nut on the opposite side. Repeat for the other side.
- 5-6. Press the button located at the front of hood and lift up the hood. Slide a $\Phi 12$ washer and tighten a locknut with a spanner.
7. Plug the connectors into each other.
- 8-9. Insert the bent end of the steering column into the hole on the front axle linkage. Fit a $\Phi 10$ plastic washer to the bent end of the steering column and insert a split pin into the hole on the steering column, bend the ends of split pin back using a long nose pliers (not included).

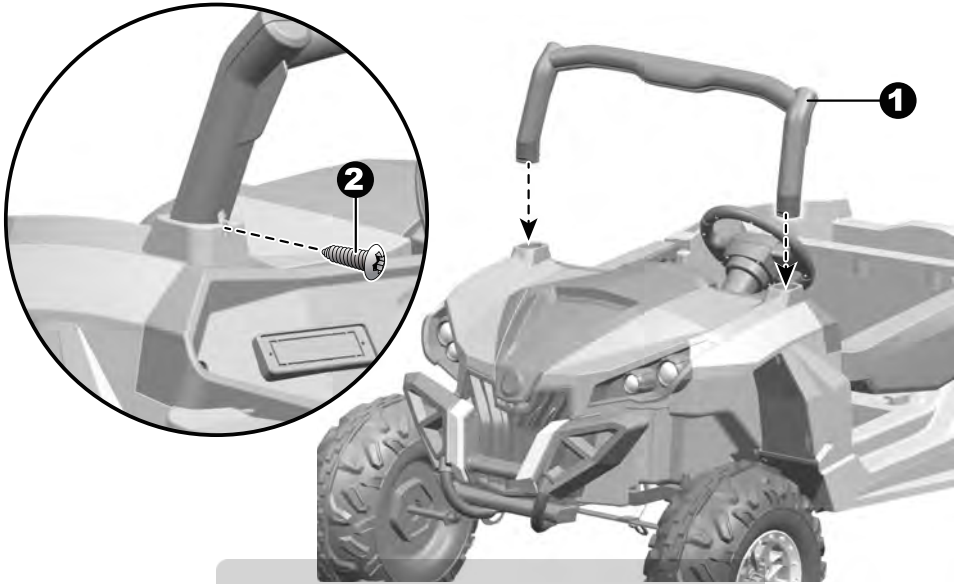
HINT: You may tighten the nuts on the shock absorber to adjust the tightness of the shock absorbers.



E**Attach the Front Wheel & Steering Wheel**

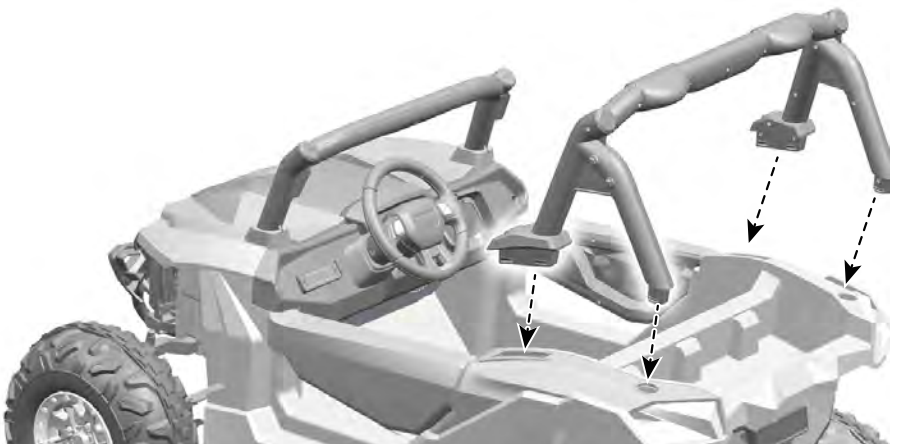
1. Slide a wheel onto the front axle. **If your vehicle was Four Wheels Driving type, ensure the wheel match up with the gear box on the front axle.**
 2. Slide a $\Phi 12$ washer onto the front axle.
 3. Tighten a lock nut to the end of the front axle with a spanner. **DO NOT** over tighten.
 4. Insert the tabs on the wheel cover into the slots on the wheel.
- Turn the vehicle body over.
5. Plug the sound unit connector on the steering wheel into the connector on the vehicle body.
 6. Fit the steering wheel to the end of the steering column.
 7. Line up the holes on the steering wheel with the holes on the steering column, insert the M5x45 machine screw.
 8. Fasten a nut on the opposite end of the screw with a screwdriver.





LEAN CARS

1. Insert the tabs of the windshield into the holds on the vehicle body. Push until you hear it “snap” into place.
2. Insert two $\Phi 4 \times 16$ screws through the vehicle wall and into the windshield and tighten.
3. Insert the tabs on the rear light bar into the opening on the rear of vehicle, and push until you hear it “click” into place.

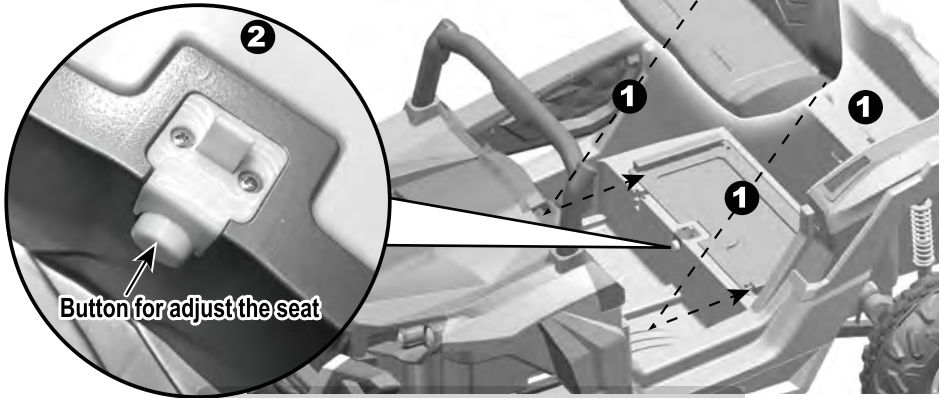


E

Attach the Seat & Connect the Power Supply

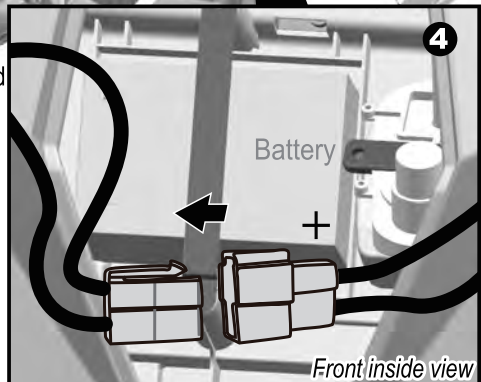
1,2. Aligned the slide strip under the seat with the slide way on the top of seat base, press the button located at the front of the seat base till the tabs on the back of seat inserted into the holes on the vehicle.

HINT: The seat is adjustable and has three position. You can move the seat back as your child grows.



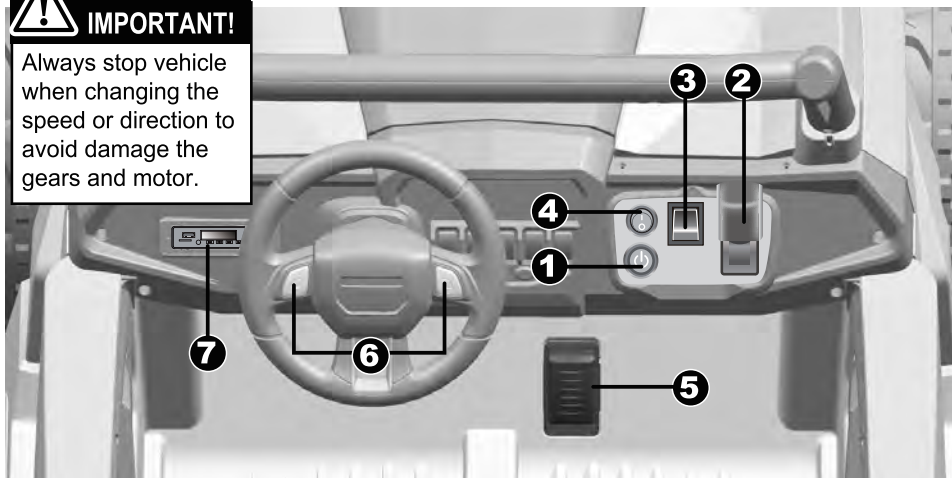
3. Press the button located at the front of hood and lift up the hood.

4. Plug the red power connector into the red terminal on the battery. Replace the hood.

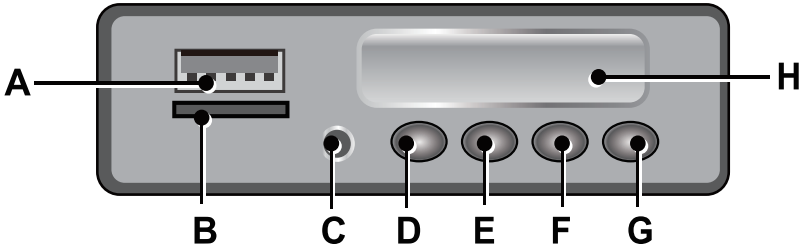


**IMPORTANT!**

Always stop vehicle when changing the speed or direction to avoid damage the gears and motor.



1. **One button start / key start (if equipped):** Turns the vehicle on and off.
2. **Forward/Reverse lever:** Changes the direction that vehicle moves from forward to reverse.
 - To move the vehicle forward, shift the lever to top position.
 - To move the vehicle backward, shift the lever to down position
- or H/L/P/R lever:** Changes the direction that vehicle moves from forward to reverse. The vehicle equipped with 2 speeds in forward: high speed / low speed.
- HINT: The vehicle is designed to operate in low speed only in reverse.**
3. **2WD / 4WD switch (4WD TYPE ONLY):** Changes the vehicle moves forward in 2WD or 4WD mode.
 - or **high-low speed switch:** Changes the vehicle moves in high speed and low speed in forward.
4. **Lights switch:** Turns the vehicle lights on and off.
5. **Foot pedal:**
 - To move the vehicle, press the pedal down.
 - To brake or slow down, release pressure from the pedal.
6. **Sound buttons:** Press for sound and horn playing. Long press for +/- volume.



A. USB slot

B. TF card slot (Read mp3 format only)

C. AUX input

D. Previous / decrease volume

E. Play / Pause

F. Next / increase volume

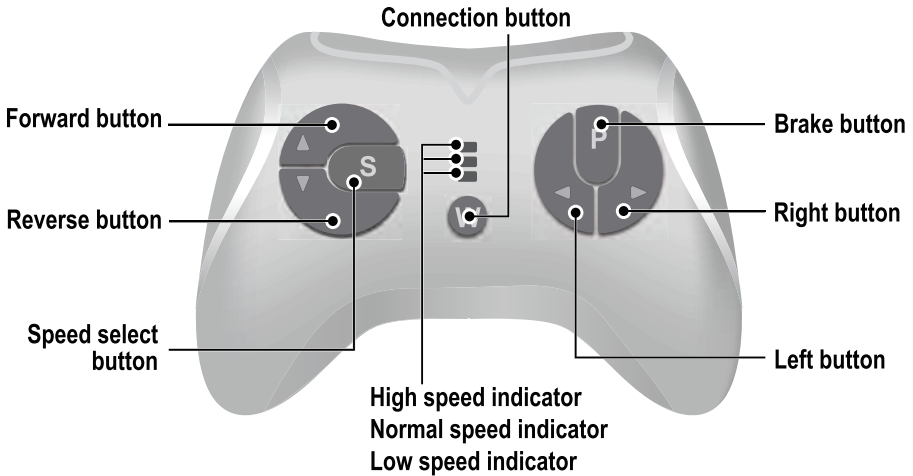
G. Change the audio input (If you insert two or more audio input devices). It also controls the bluetooth (optional function) and FM functions (optional function).

H. Display screen: It displays the power level of the battery when the vehicle stops. When the numerical value is less than 6, recharge the battery please.

1. There is a handle on the rear of vehicle .
2. You may move the ride-on by pulling.

4WD Before using the pull handle, operates the vehicle to 2WD mode. Avoid to damage the front motors.





Attach the batteries of controller

Lift the battery compartment door on the back of the controller and insert two AAA(LR03) batteries.

HINT: Batteries not included. Refer to the Battery Information on the page 1.

1. Build connection

Press the **Connection button** for 2 seconds, the status indicator flashes, then turn on the power switch located on the the vehicle dash, when the status indicator **turns off about 2 seconds and turns into long bright**, means the connection successful. If the status indicator makes no response, means the connection failed. Replace the batteries and try again.

2. Brake button

Press the button to stop the vehicle, press it again to release the brake.

3. Speed select button

The switch operates the vehicle to move in low, normal or high speed.

HINT: This switch won't work while your vehicle moves reverse.

NOTE:

- Leave the remote controller idling for about 10 seconds, it will shut down automatically.
- Rebuild connection when you replace the batteries of the remote controller.

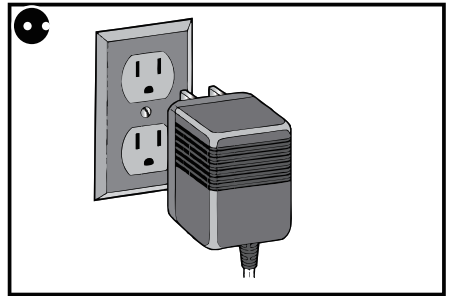
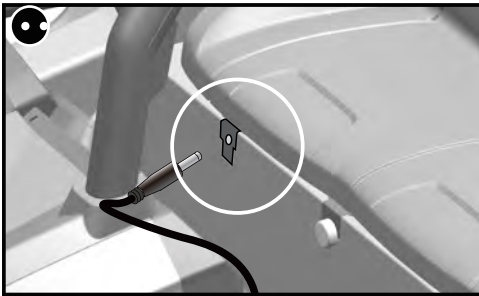
WARNING!

ONLY AN ADULT CAN CHARGE AND RECHARGE THE BATTERY!

WARNING!

This product with **Charging Protection**: when charging, all functions will be cut off! Only an adult can charge and recharge the battery!

- The POWER SWITCH must be turned in **OFF** position when charging.
- Before the first use, you should charge the battery for 4-6 hours. Do not recharge the battery for more than 10 hours to avoid overheating the charger.
- When the vehicle begins to run slowly, recharge the battery.
- After each use or once a month minimum recharge time as 8 to 12 hours, less than 20 hours at most.
- Use the only rechargeable battery and charger supplied with your vehicle. NEVER substitute the battery or the charger with another brand. Using another battery or charger may cause a fire or explosion.
- Do not use the battery or charger for any other product.
- If your ride-on with a **Digital voltmeter(IF EQUIPPED)**, the magnitude of voltage will tell you how much power is remaining in the battery when you must recharge the battery. Make sure the vehicle is stop!



1. Plug the charger port into the input socket. (below the seat)
2. Plug the charger plug into a wall outlet. The battery will begin charging.

Troubleshooting Guide

Problem	Possible Cause	Solution
Vehicle does not run	Battery low on power	Recharge battery.
	Thermal fuse has tripped	Reset fuse, see <Fuse>
	Battery connector or wires are loose	Check that the battery connectors are firmly plugged into each other. If wires are loose around the motor contact your distributor please.
	Battery is dead	Replace battery, contact your distributor please.
	Electrical system is damaged	Contact your distributor please.
	Motor is damaged	Contact your distributor please.
Vehicle does not run very long	Battery is under charged	Check that the battery connectors are firmly plugged into each other when recharging
	Battery is old	Replace battery, contact your distributor please.
Vehicle runs sluggishly	Battery low on power	Recharge battery, contact your distributor please.
	Battery is old	Replace battery, contact your distributor please.
	Vehicle is overload	Reduce weight on vehicle. Maximum user weight is 50 kg.
	Vehicle is being used in harsh conditions	Avoid using vehicle in harsh conditions ,see <Safety>.
Vehicle needs a push to go forward	Poor contact of wires or Connectors	Check that the battery connectors are firmly plugged into each other. If wires are loose around the motor, contact your distributor please.
	"Dead Spot" on motor	A dead spot means the electric power is not being delivered to the terminal connection and the vehicle needs repair. Contact your distributor please.
Difficult shifting from forward to reverse or vice-versa	Attempting to shift while the vehicle is motion	Completely stop the vehicle and shift, see <Use Your New Vehicle>
Loud grinding or clicking noises coming from motor or gear box	Motor or gears are damaged	Contact your distributor please.
Battery will not recharge	Battery connector or adapter connector is loose	Check that the battery connectors are firmly plugged into each other.
	Charger not plugged in	Check that the battery charger is plugged into a working wall outlet.
	Charger is not working	Contact your distributor please.
Charger feels warm when recharging	This is normal and not a cause for concern	

Completely read through this manual and the troubleshooting guide table before calling. If you still need help resolving the problem **Contact your distributor please.**

- It is parents' responsibility to check main parts of the toy before using, must regularly examine for potential hazard, such as the battery, charge, cable or cord, plug, screws are fastening enclosure of other parts and that in the event of such damage, the toy must not be used until that damage had been properly removed.
- Make sure the plastic parts of the vehicle are not cracked or broken.
- Occasionally use a lightweight oil to lubricate moving parts such as wheels.
- Park the vehicle indoors or cover it with a tarp to protect it from wet weather.
- Keep the vehicle away from sources of heat, such as stoves and heaters. Plastic parts may melt.
- Recharge the battery after each use. Only an adult can handle the battery. Recharge the battery at least once a month when the vehicle Raider is not being used.
- Do not wash the vehicle with a hose. Do not wash the vehicle with soap and water. Do not drive the vehicle in rainy or snowy weather. Water will damage the motor, electric system and battery.
- Clean the vehicle with a soft, dry cloth. To restore shine to plastic parts, use a non-wax furniture polish. Do not use car wax. Do not use abrasive cleaners.
- Do not drive the vehicle in loose dirt, sand or fine gravel which could damage the moving parts, motors or the electric system.
- When not using, all the electrical source should be turn off. Turn off the power switch and disconnect the battery connection.

The battery features a thermal fuse with a reset fuse that will automatically trip and cut all power to the vehicle if the motor, electric system or battery is overloaded. The fuse will reset and power will be restored after the unit is turned OFF for 20 seconds and then turned ON again. If the thermal fuse trips repeatedly during normal use, the vehicle may need repair. **Contact your distributor please.**

To avoid losing power, follow these guidelines:

- Do not overload the vehicle.
- Do not tow anything behind the vehicle.
- Do not drive up steep slopes.
- Do not drive into fixed objects, which may cause the wheels to spin, causing the motor to overheat.
- Do not drive in very hot weather, components may overheat.
- Do not allow water or other liquids to come in contact with the battery or other electric components.
- Do not tamper with the electric system. Doing so may create a short, causing the fuse to trip.

LEAN CARS

WWW.LEANTOYS.PL

Disposal Of Battery



- Your sealed lead-acid battery must be recycled or disposed of in an environmentally sound manner.
- Do not dispose of your lead-acid battery in a fire. The battery may explode or leak.
- Do not dispose of a lead-acid battery in your regular, household trash. The incineration, land filling or mixing of sealed lead-acid batteries with household trash is prohibited by law.

Our products are suitable for ASTM F963; GB6675; EN71 and EN62115 standard.