

Please read the manual before using the product. The manual and carton contain important information, please keep them properly for later references. If failure to following the instruction in the manual, it might be dangerous for your child.

In order to improve the product and quality, we may change the parts of structure, appearance, packing method, assembly method and function of the product without any notice. When there is any difference between the manual and the product, please subject to the actual product. We are sorry for any inconvenience.



Hollicy

The assembly manual of
battery operated car

Model: SX2018

Executive standard:

EN71-1

EN71-2

EN71-3









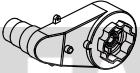



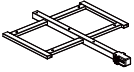
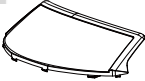


EN62115



WARNING:

Products should be assembled by an adult. Protective equipment should be worn. Not to be used in traffic. Not suitable for children under 3 years. Choking hazard- small parts. In unassembled state, contains potentially hazardous small parts. Please keep out of the reach of small children. Pay attention to the potential hazards of using the toy in areas other than private grounds.

PARTS LIST

PARTS NAME	PICTURE	QTY	PARTS NAME	PICTURE	QTY
Car body		1PC	Steering wheel		1PC
Seat		1PC	Spoiler		1PC
Mirror		2PC	Wheel		4PC
Wheel cover		4PC	Push bar (optional)		1PC
Motor		2PC	Wheel and cover for foot board (optional)		2PC
Foot board (optional)		1PC	Charger		1PC
Foot board axle (optional)		1PC	Windshield		1PC
Manual		1PC	Hardware package		1PC

Disclaimer:

The pictures in this instruction are for assembly reference only. Please refer to the actual product.

WARNING:

This product is not the vehicle for transportation, it should be used under adult guidance. Parents should ensure that children have taken the safety measures before use.

The toy should be used with caution since skill is required to avoid falls or collisions causing injury to the user or third parties.

PRODUCT SPECIFICATIONS

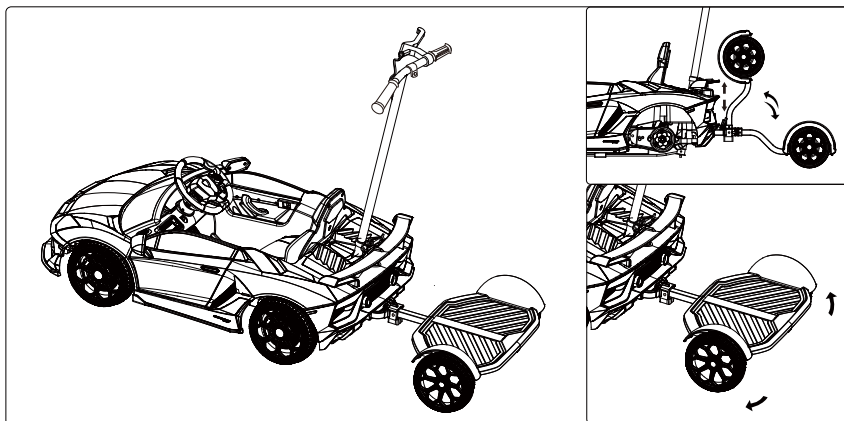
Battery	12V4.5、 12V7、 12V10、 12V14、 6V4.5*2	
Main material	PP	
Suitable age	37-95 Months	
Weight limit for the car: 30kg		Weight limit for foot board :80kg
Product size	1075X630X420mm (no pushbar & foot board) 1075*630*1025mm (with push bar, without foot board) 1510*630*1025 (with push bar & foot board)	
Speed	3-5KM/H	
Runtime	1-2 hours after charging for 8-12 hours, based on ride on conditions	
Charger	Input AC 110-220V Output DC 12V-1000MA / 12V500MA optional	
Fuse	Auto-reset fuse	

Stroller function (optional)

Pull out the handle and caster wheels out if needed, so you can carry the car easily. When not needed, push them back to save space.

When you hold the handbrake, the wheel is separated from the motor, so the adult can stand on the ground and push the car forward; When you release the handbrake, the wheel is coupling with the motor, the car can be used normally. The push bar can control the direction.

The foot board is hung at the rear of the car, it has man-carrying function and swings left and right. It can turn over when not needed.



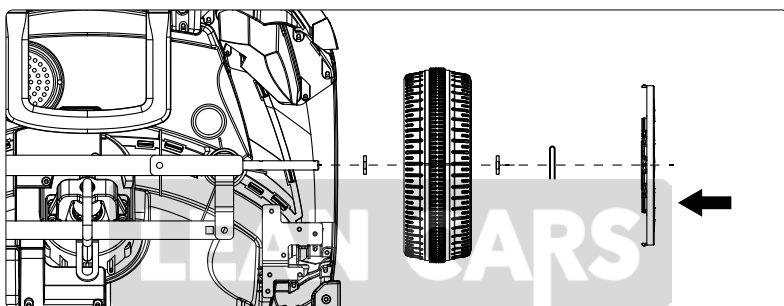
Assembly instruction

Car assembling should be done by the adults.

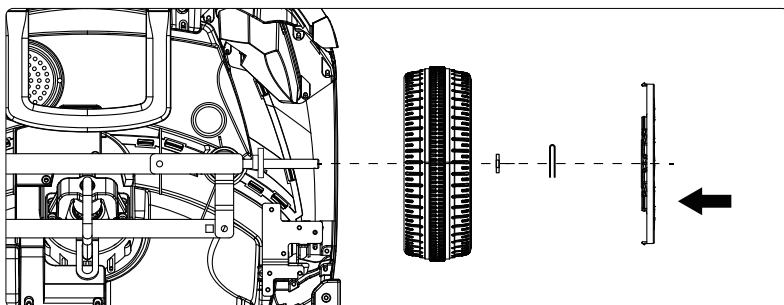
Take care of small parts. To avoid choking hazard, keep children away while assembling. Children under 36 months are prohibited to use.

Please count all the parts carefully before assembling and dispose the plastic bag properly. To avoid choking hazard, children are not allowed to play with the bag.

1. Front wheel assembly (with push bar specification): insert a washer with 10mm inner diameter, the front wheel, a washer with 10mm inner diameter, a cotter pin and a wheel cover.



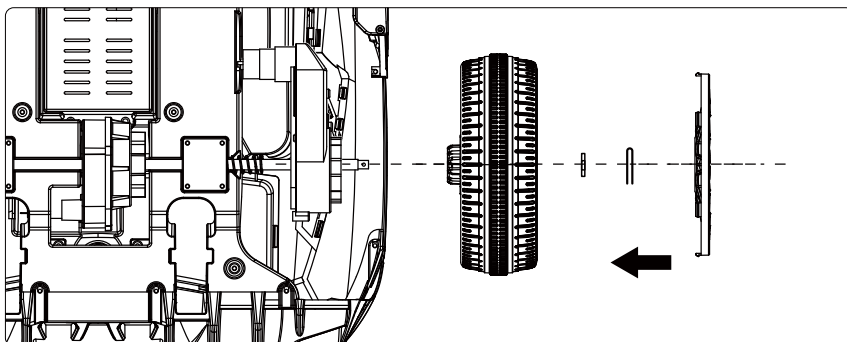
Front wheel assembly (without push bar specification): insert the front wheel, a washer with 10mm inner diameter, a cotter pin and a wheel cover.



2. Rear wheels assembly

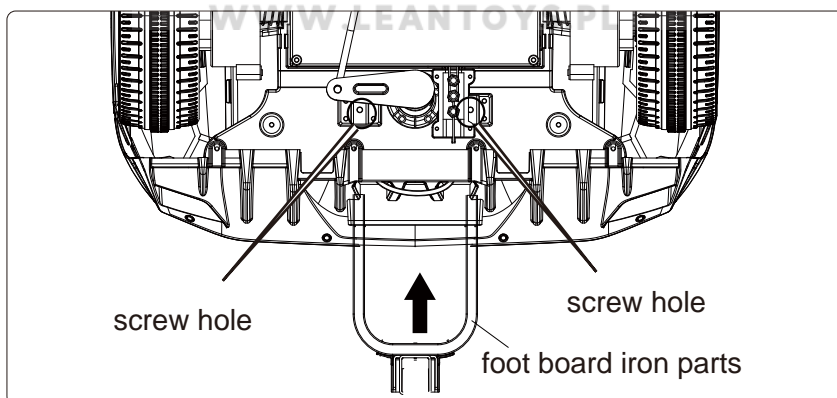
First, check whether the rear axle is in the middle of the car, make sure the axle length that extend out on both sides are same.

Rear wheel assembly (with push bar specification): insert the front wheel, a washer with 8mm inner diameter, a cotter pin and a wheel cover.
Rear wheel assembly (without push bar specification): insert the rear wheel, a washer with 10mm inner diameter, a cotter pin and a wheel cover.



3: foot board iron parts assembly (optional)

There is a plastic part on the foot board iron, keep the plastic part up, insert it into the corresponding position at the rear of the car and fix with 4*40 flat head screws.

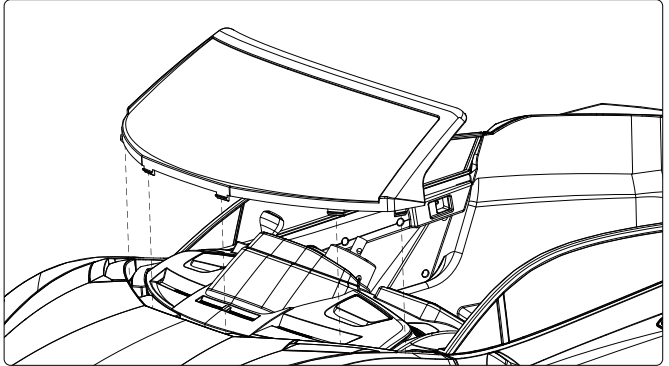


Attention:

After one side wheel installation, turn over the car body, make sure that the assembled wheel is contacted with the ground, pull out the rear axle until it can't move, then assemble the other wheel.

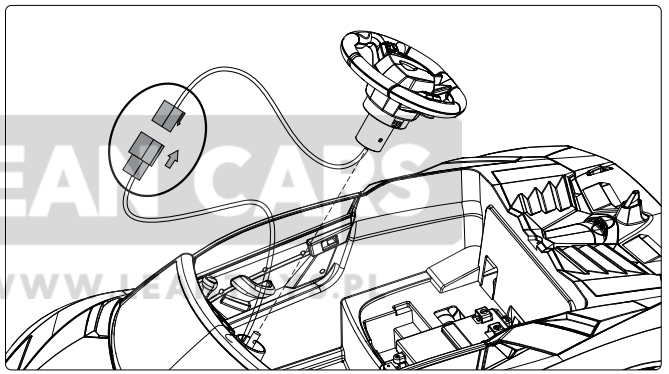
4. Windshield assembly

Align the windshield with the corresponding openings on the car body, insert and push them into place.



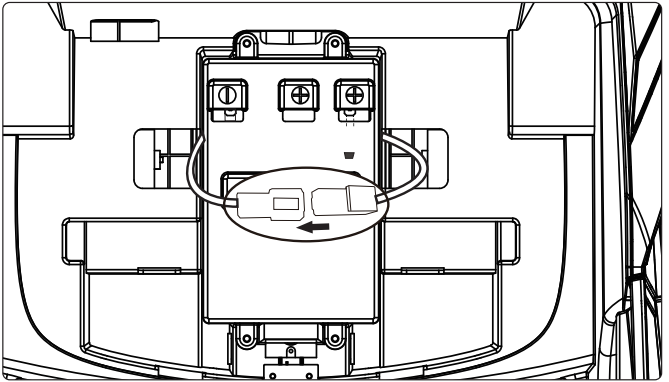
5. Steering wheel assembly

Match two connectors of the wires from steering wheel and steering column, align the steering wheel with steering column, press two pins on steering wheel and insert them into the holes on steering column.



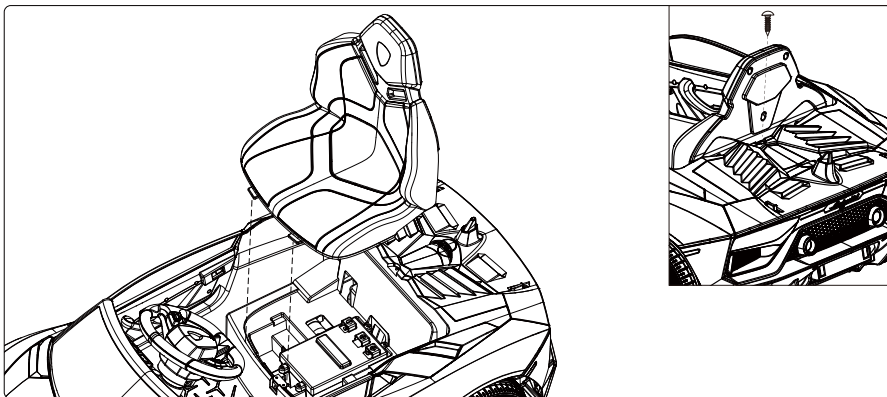
6. Battery connection

Before assembling the seat, please connect two red clip locks of two wires.

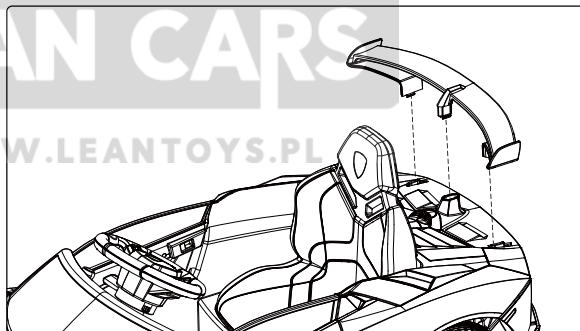


7.Seat assembly

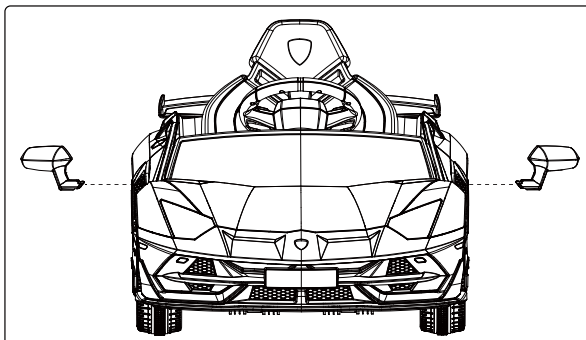
Align the seat diagonally with the corresponding position on the car body, insert the hook into the corresponding position, fix with self tapping screws at the back of the seat.



8.Spoiler assembly
Align the spoiler with the corresponding position on the car body, insert and push it into place.

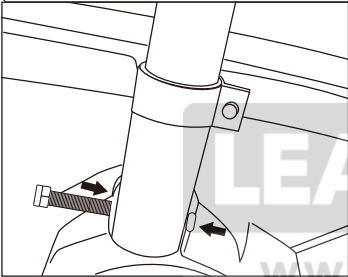
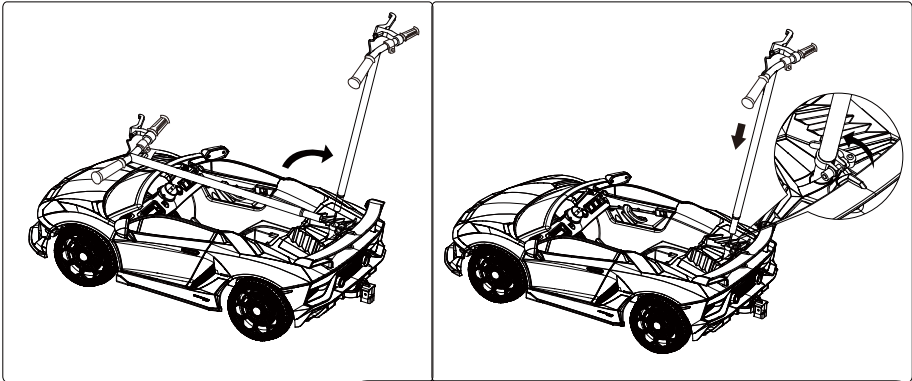


9.Mirror assembly
Align the mirror with the corresponding opening on the car body, insert and push it into place.

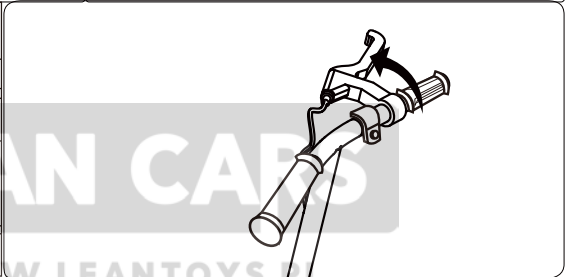


10. Push bar assembly (optional)

Turn the push bar to a proper position, align it with the hole on car body, insert it to the safety mark and fix with the quick release part.



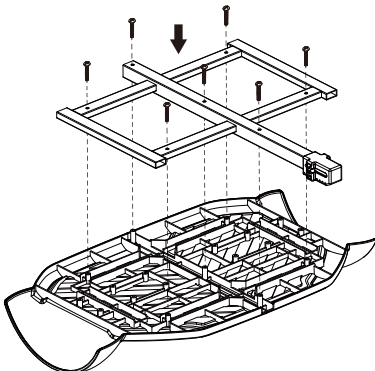
Insert a 5*30 screw into the hole and fix with a M5 nut.



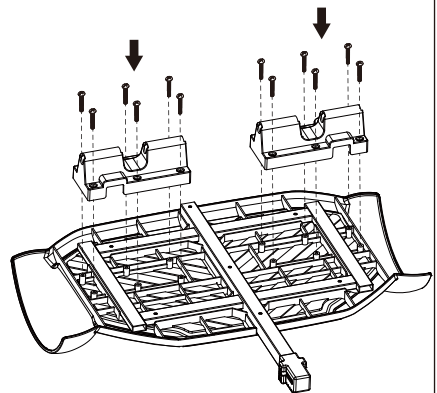
Attention: After assembling the push bar, please adjust the brake bar to the position as the picture showed, so that it can be used conveniently.

11. Foot board assembly (optional)

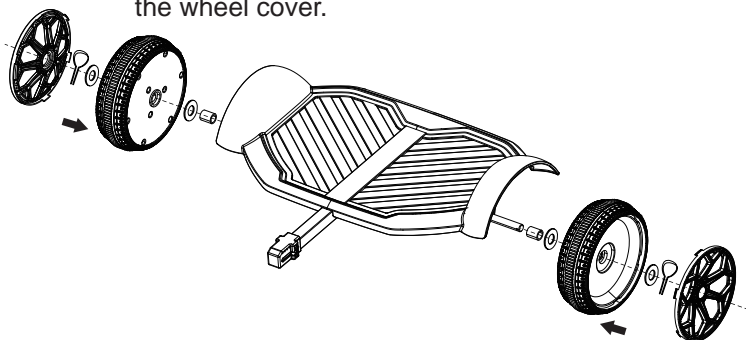
1. Attach the iron part with the plastic foot board, fix them with 4*12 flat head screws.



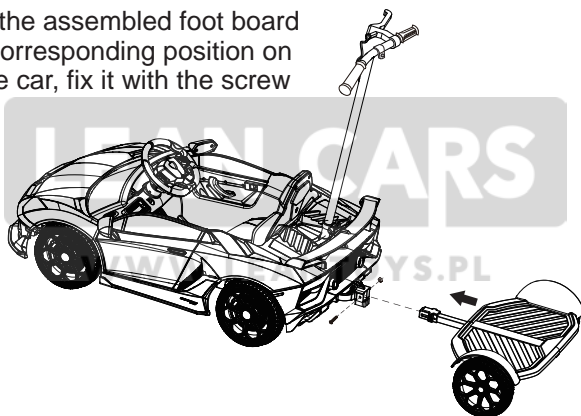
2. Fix axle plastic parts



3. Insert the rear axle, attach the bushing, washer, wheel and washer, fix with cotter pin and assembly the wheel cover.



4. Attach the assembled foot board with the corresponding position on rear of the car, fix it with the screw and nut.



FUSE

This car has a auto-reset fuse, if the car stops suddenly during driving, it is mainly caused by instantaneous current exceeds ,which makes the fuse to trip. Then just stop operating for about 8 seconds, and this fuse can be reset. Then turn on the power switch again.In order to avoid the fuse tripping and cutting off power supply, please pay attention to the following matters.

This product can't be overloaded, the maximum load is 30kgs.weight limit for foot board 80kg.

Don't drag anything behind the product.

Don't let the water or other liquid into the batteries and other electrical components.

Don't change the circuit system and structure of the product.

SECURITY WARNING

- 1.The installation and charging of vehicle should be under adult supervision at all times.
- 2.This product is limited to the children from 37 to 95 months, 30 kg weight limit, weight limit for foot board 80kg.please do not overload.
- 3.This product is ideal for driving on a hard flat surface.
- 4.It is strictly prohibited in the streets or the road, pot holes, and slopes.
- 5.Avoid driving in the sand or grass or uneven ground.
- 6.Children should be given full instructions on operation of the car. Improper operation can cause damage or accidents.
- 7.While children are driving, it is parents' duty to supervise at all time to avoid accidents.
- 8.Avoid driving in rains or flooded pathways. By doing so it can damage the motor, circuit and other electrical equipments.
- 9.Battery charger should be regularly inspected by parents to insure that the wires, plugs, crusts and other components are not damaged. Please stop using if any damage is found, until it is completely restored.
- 10.In order to ensure product life and safety, avoid damage to the charger, battery or electric circuit, the car must use the default configuration of a dedicated charger and power supply.
- 11.Rechargeable batteries should be removed from the toy before charging.
- 12.When no use of product, please cut off the product power, and keep all the switch to "stop" or "off" position.
- 13.The charger provided is not a toy. It is to be kept away from children.
- 14.Strictly prohibit using the non-manufacturer provided parts.
- 15.This product is made of PP material mainly, and the safe using time is two years.

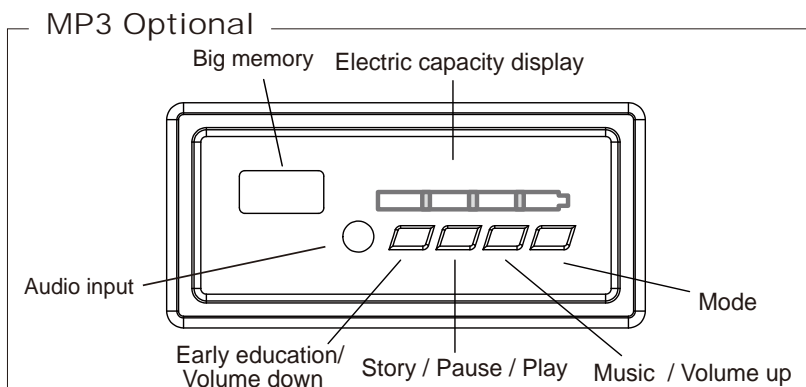
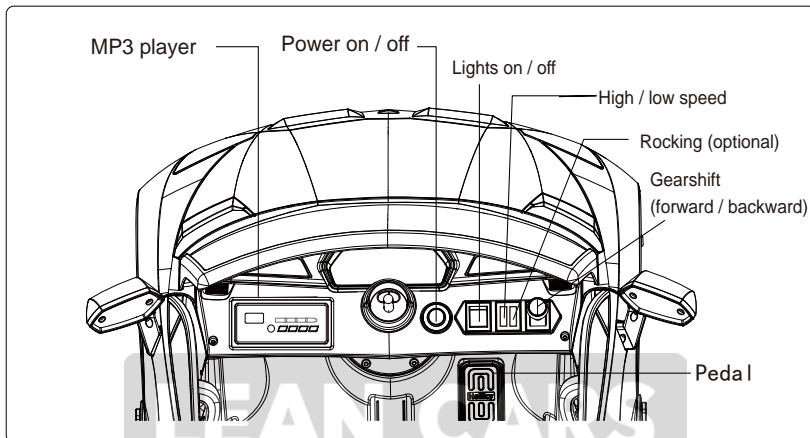
USAGE DIRECTION

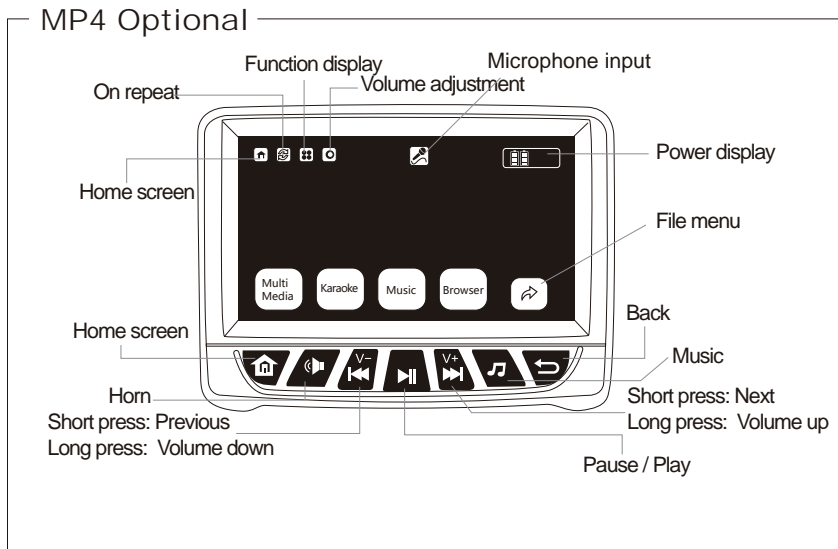
1. Before using it, make sure that all the following works are done.
 - Step described in accordance with the instructions to complete the installation of the car, the battery plug-in has been connected, the power supply has been switched on.
 - Make sure that all the positions which need the screws are fixed tightly.
 - Parents or guardian should ensure that children have taken the safety measures before using.To reduce the risk during using, pay attention the followings: When driving the car ,child should sit on the car seat.
Adult or parents should take more care and guidance when child driving and can't leave away.
Pay attention to the driving environment and driving on the hard flat surface, not the unsafe environment.
For example:
 - a.The trenches, the riverside, slope or uneven ground;
 - b.Road or other places for driving and walking;
 - c.The obstruction which is easily hitting and causing injury;
 - d.Other unsafe zones.To avoid accident, please use only in daytime or bright place, avoid using under low visibility.

WARNING:

When changing the gears, the accelerator should be released and the car has completely come to a stop. Electronic steering wheel is an optional function, it can be self position. Prohibit to change the gear while the car is still moving, because that can damage the wire and other transmission parts.

2. Operating(function reference diagram)





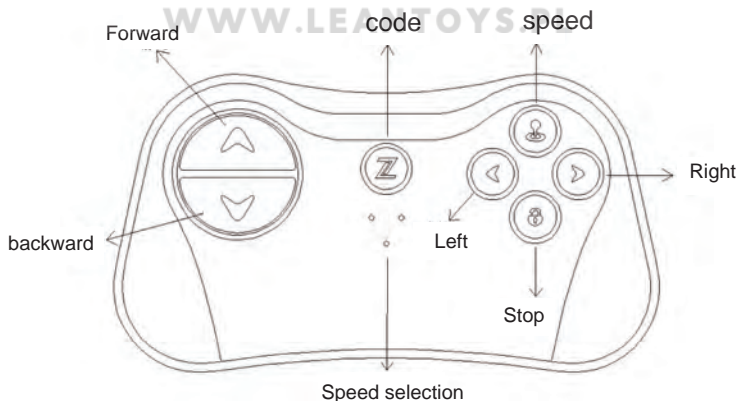
Remote control instruction (optional)

Remote control specification

Supply voltage: 2 X 1.5V

Frequency: 2.4Ghz

Button operation instructions



backward: The car goes backward

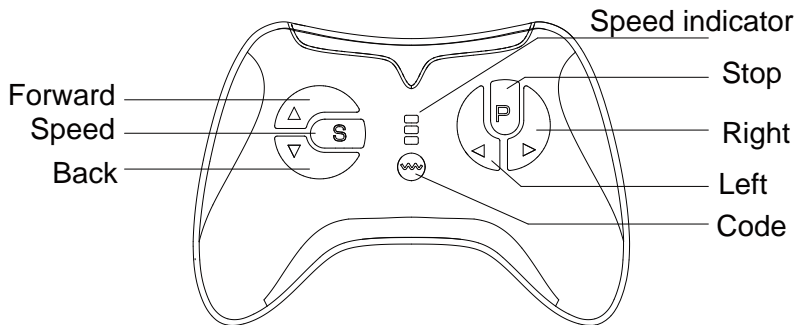
Code: Pair the remote control with the car

Left: The car goes left

Right: The car goes right

Speed: Adjust the speed, there are three forward gear speed, high speed, middle speed and low speed.

Stop: Press and hold this button, the car will stop immediately and can't be operated whether in manual mode or remote mode. Release this button, the car will return to normal.



2.4G Remoter Control Instructions

For the first time need to code, this product has a memory function, replacement battery next time, you do not need to match the code once again.

- ①. Long press "M" button more than three seconds, until the first LED lights flashing.
- ②. Open body power, first a long bright LED turns on the success of the code.
- ③. Remote control 10 seconds without operating automatic standby, press any key to wake up.
- ④. Key Description: "△" Forward, "▽" Back, "◁" Left, "▷" Right, "S" Speed, "P" Stop.

Press the "S" key to set the speed, a light is low, two lights for medium-speed, three lights for high-speed, the car back with only medium-speed

Press the "P" key to keep the brakes, the indicator full flash, press the brake button again to lift the brake.

How to pair the remote control?

1. Turn on the power of the car, press and hold car "code" button until the speed display led light starts to flash.
2. The speed display led light will stop flashing after a few seconds. Release the button, the light will turn off.

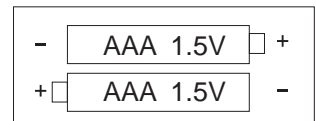
Remote control battery installation method:

Use a screwdriver to loosen the screw on the back of the remote control, open the battery cover and insert two AAA (1.5V) batteries, then close the battery cover and fix with screw. Pay attention to the battery polarity, if the indicator light on remote control turns on, it indicates the successful installation. If the indicator light becomes dim or flashing, the battery needs to be replaced.

WARNING:

- 1 . When operating the car, the distance between the car which kid sit in and the remote control which operated by adults should not be more than 10 meters.
- 2 .The remote is only for adults to use, keep far away from child.
- 3 .Before using the remote, you must read the instruction manual carefully, and operate the empty car first , only when knowing the way of operation, you can use the remote with kid in the car.
- 4.Please switch to the "P" of the gear before you get on the car.
- 5.This product should not be used on traffic road and the place with water and obstacles.
- 6 . To Avoid damaging the circuit, please keep the remote control from wet and in rains.
- 7 .Don't mix old and new batteries and different brands of dry batteries.
- 8 . In order to avoid damaging the remote control, please take out the batteries if not use the remote control for a long time to avoid battery leakage and circuit corrosion.
- 9.Avoid dropping the remote control during using.
- 10.Install batteries with right polarity to avoid battery short circuit.
- 11.Charging must be done by adults. Non rechargeable batteries can't be charged.
- 12.Exhausted battery should be removed from the toy properly and prevent children from playing.
- 13.Take out the battery if no use for long time, properly handle the battery, and prevent children from playing.
- 14.If the remote distance is less than 3 meters, it means the battery is down in the remote control, it is time to change the 2 pieces of AA alkaline batteries.

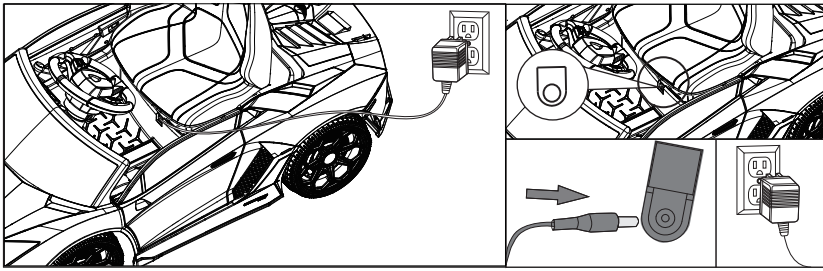
How to insert batteries: Use screwdriver to loosen the screw on the back of the remote control, open the battery cover, and install two AAA 1.5V alkaline type batteries according to the diagram (Batteries are self-provided), then close the battery cover,and fix with screw.



CHARGING WAY

- For Safety purpose ,the charging must be done by adults.
- The first time you use it, please open the bonnet, connect two clip locks of red wires, use it only after charging 8-12 hours.
- Charging socket is locate on the dashboard, please follow the instructions to charge the battery.
- If the car has slowed down, it needs to be charged by 8-12 hours, maximum 20 hours.

- 1.First insert the plug of the charger into the charging port. (The car can not be used.)
- 2.Then insert the charger to the power socket.



WARNING:

- 1 The toy is to be assembled by an adult. In unassembled state, it contains potentially hazardous sharp points & small parts, so please keep out of baby's reach.
- 2 CHOCING HAZARD – Small parts.
- 3 Not for children under 3 yrs.
- 4 Always wear shoes.
- 5 RISK OF FIRE. Do not bypass. Replace only with circuit protection device.
- 6 Protective equipment should be worn. Not to be used in traffic.

Attention:

- Can only use the charger and battery according to manufacturers regulations.
- Do not mix old and new or different types of batteries.
- The battery terminal should not be short circuit.
- Do not open the battery or charger.
- Do not reverse the battery.
- Before charging, please check whether the charger, battery and plug are ok, if you find any broken parts, you must stop using it immediately. And do not use it until it is fully repaired.
- The battery will be little warm when being charged, it is normal. If not, it may be caused from the short circuit of charger or circuit board.
- Must use the pressing plate to fix the battery.
- Run out of battery must be handled by adults, remove the battery which has run out from toys to recycle properly and shall not be arbitrarily discard.
- If the product is going to be stored unused long time , it must be fully charged, and charge it every 3 months ,so as to make sure the battery life.
- Charger and Battery are not toys. Keep them away from children.

MAINTENANCE AND SERVICE

- 1, Before use, parents should check whether all parts like batteries, charger, wires, plug, outer body and other parts are in good condition, check whether the screws are loose and whether there are potential safety hazards. Any damaged parts founded should be repaired before using.
- 2, After using the product for a period of time, use a small amount of lubricating oil to the moving parts to prevent wear and tear of rust.
- 3, Keep the car away from fire and direct sunlight. Place it stably, not upside down. The car shall be stored indoors or outdoors under cover.

- 4, The car should be kept away from hot items, such as stoves or heaters, or the plastic parts will melt. When charging, the car should be kept away from inflammable materials to prevent it from catching fire.
- 5, Charge in time after use. Charging should be done by adults. If the product is going to be unused for a long time, it must be fully charged. Charge it every month so as to extend the battery lifespan.
- 6, A soft cloth must be used to clean the car. Do not use chemical solvents to clean the plastic parts. Do not use soap or water to clean the car. Driving in rainy or snowy weather, water can damage the motor, battery and circuit system.
- 7, When stopping or storing the car, please cut off the power and make sure all switches are in the 'STOP' or 'OFF' position.
- 8, Do not use fuses different from the specifications of this product.
- 9, Do not change the product structure and circuit system. Maintenance and repair work must be done under the guidance of the professional or technical personnel in place.
- 10, Do not use the product for other purposes. Put the battery in the right polarity.
- 11, Battery negative short circuit is prohibited. Non-rechargeable batteries cannot be charged.
- 12, Rechargeable batteries can only be charged under the supervision of the adult.
- 13, Do not mix old and new batteries or different types of batteries.
- 14, The battery running out of power should be removed from the car properly and not allowed to be played by children.
- 15, Disconnect the batteries completely when not in use and do not allow children to play with them.

TROUBLESHOOTING

Car does not move or power on	If "power" switch is in OFF position
	If the fuse is not functioning properly
	If the battery is not connected, check the red and black wires.
	If the charger is plugged in, car will not power on. Unplug charger.
	If the pedal switch is not functioning properly
	If the wheels stuck and cannot move
Car moves slowly	If the battery is not fully charged. Need to be charged in time
	If there is an issue with the wheels
	If rider weight exceeds specifications
Battery does not charge	If the charger is malfunctioning
	If the battery lost its capacity
	If the charger and battery connection are charged

LEAN CARS

WWW.LEANTOYS.PL

LEAN CARS

WWW.LEANTOYS.PL

LEAN CARS

WWW.LEANTOYS.PL

LEAN CARS

WWW.LEANTOYS.PL

PINGHU SHUANGXI BABY CARRIER MANUFACTURE CO.,LTD.
PINGHU BABY CARRIER INDUSTRY CITY, ZHEJIANG, CHINA
