

MACK TRUCK

BATTERY POWERED RIDE-ON



WWW.LEANTOYS.PL

OWNERS MANUAL

Read and understand this entire manual before using!

Please keep this manual for future reference as it contains important information.



WARNING:

- **CHOKING HAZARD!** Not suitable for children under 3 years.
- **ADULT ASSEMBLY REQUIRED.**

About Your New Vehicle

On the purchase of your new Ride-On.

This ride-on car will provide your child with many miles of riding of enjoyment. To help assure you and your rider a safe ride we ask you to please read this manual carefully, and keep it for future reference.

Specification

Suitable age:	3+ years
Battery:	12V10AH x1
Charge time:	8-12 hours
Charge:	Input: 100-120V~50/60Hz 0.4A output: DC12V1000mA
Load capacity:	under 40 kg
Size of car:	128 x 82 x 75 cm
Speed:	4-8km/h

LEAN CARS

WWW.LEANTOYS.PL

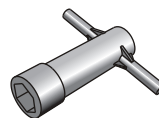
Parts List

NO.	PART NAME	Q'TY (PCS)	REMARK
1	Car body	1	
2	Gear box	2	
3	Driving wheel	2	
4	Front wheel	2	
5	Ø12 washer	6	
6	Lock nut	4	
7	Wheel cover	4	
8	Mirror	2	
9	Exhaust pipe	2	
10	Steering wheel	1	
11	Windshield	1	
12	MACK hood emblem	1	
13	M5x35 machine screw	1	
14	Ø5 nut	1	
15	Ø4x12 screw	8	
16	Spanner	2	
17	Charger	1	

Assembly tools required:



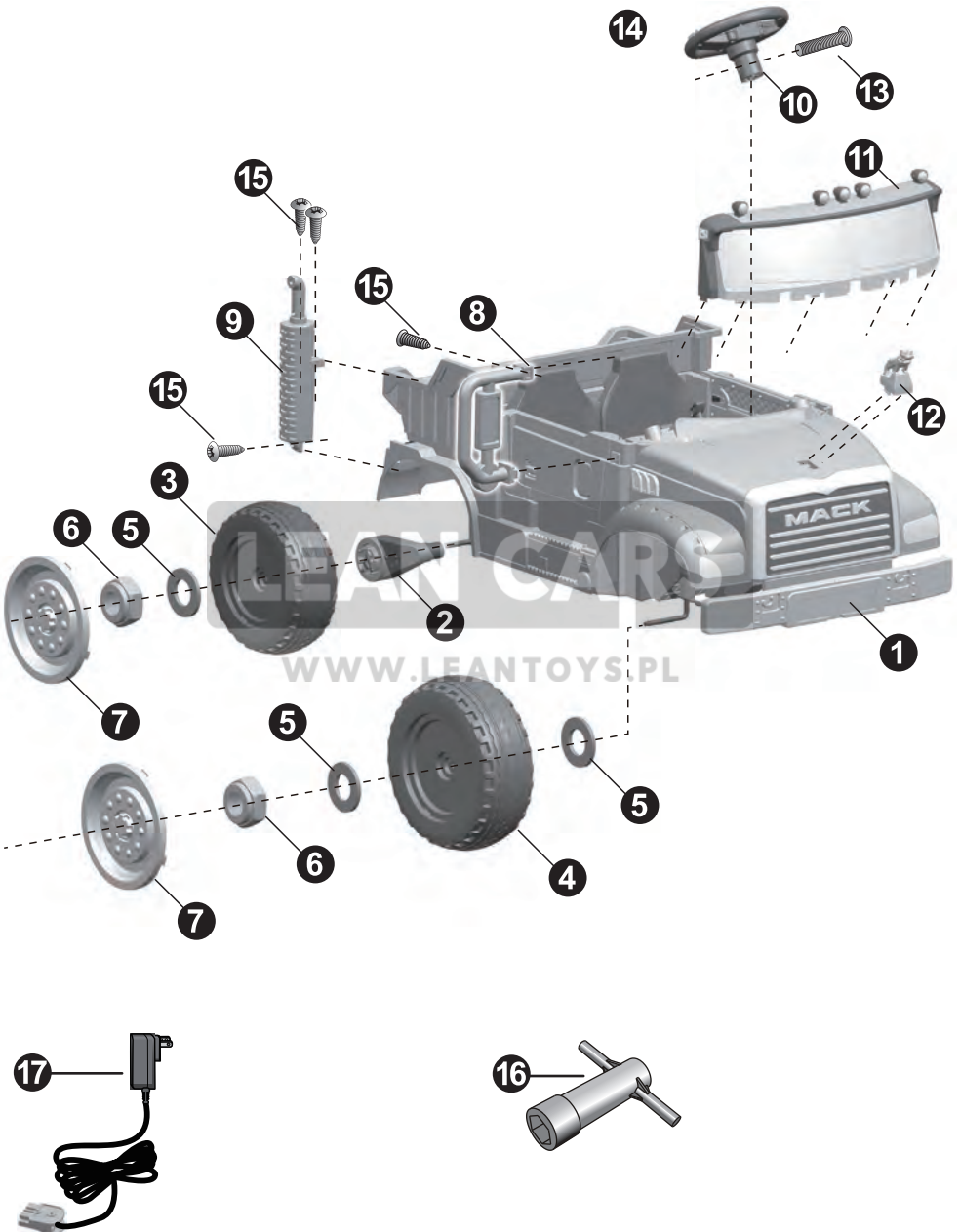
Screwdriver (not included)



Spanner

Parts Diagram

HINT: Some parts shown are assembled on both sides of vehicle



Safety

WARNING!

- **CHOKING HAZARD** - Small parts. Not suitable for children under 36 months. The product contains small parts, keep children away when assembling.
- **ADULT ASSEMBLY REQUIRED.**
- Always remove protective material and poly bags and dispose before assembly.



PREVENT INJURIES AND DEATHS:

- **NEVER LEAVE CHILD UNATTENDED. ADULT DIRECT SUPERVISION IS REQUIRED.** Always keep child in view when child is in vehicle.
- This toy should be used with caution since skill is required to avoid falls or collisions causing injury to the user or third parties.
- Protective equipment should be worn.
- Not to be used in traffic.
- This toy is unsuitable for children under 36 months due to its maximum speed; Maximum user weight is 40 kg.
- This toy has no brake.

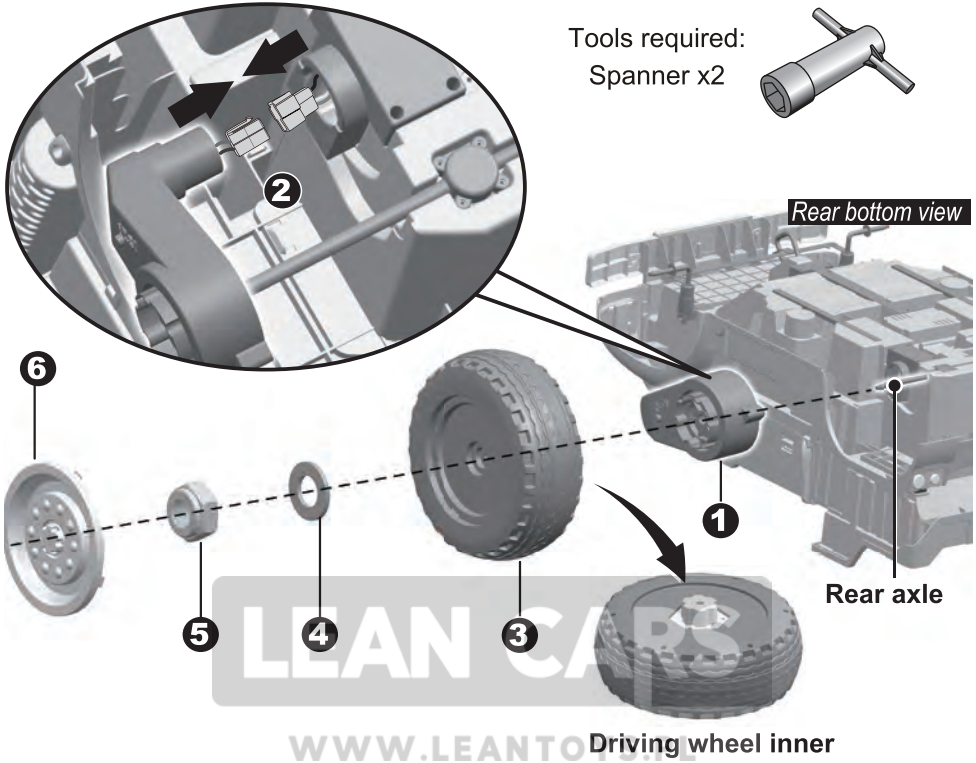
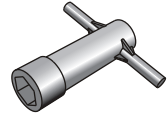


BATTERY INFORMATION

- Non-rechargeable batteries are not to be recharged.
- Rechargeable batteries are to be removed from the toy before being charged.
- Rechargeable batteries are only to be charged under adult supervision.
- Different types of batteries or new and used batteries are not to be mixed.
- Batteries are to be inserted with the correct polarity.
- Exhausted batteries are to be removed from the toy.
- The supply terminals are not to be short-circuited.

Assembly

Tools required:
Spanner x2

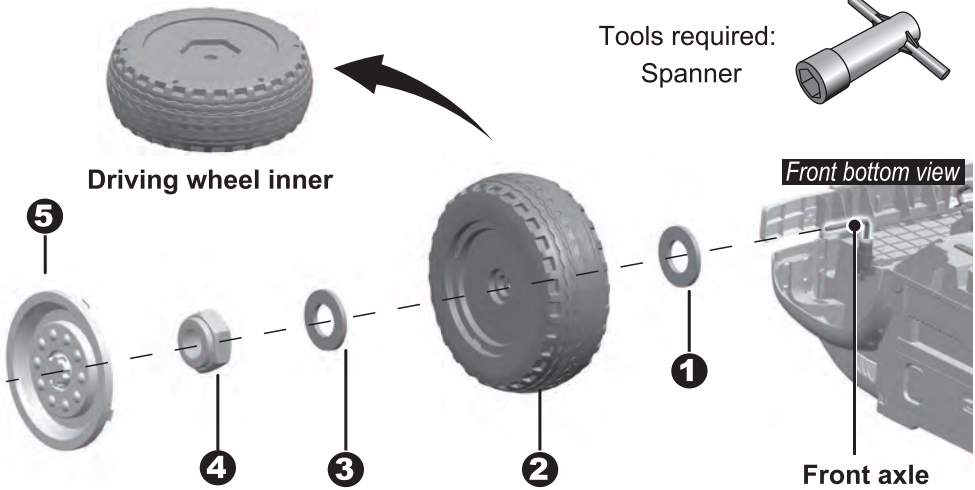
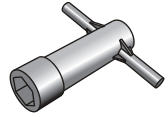


Turn the car body upside down.

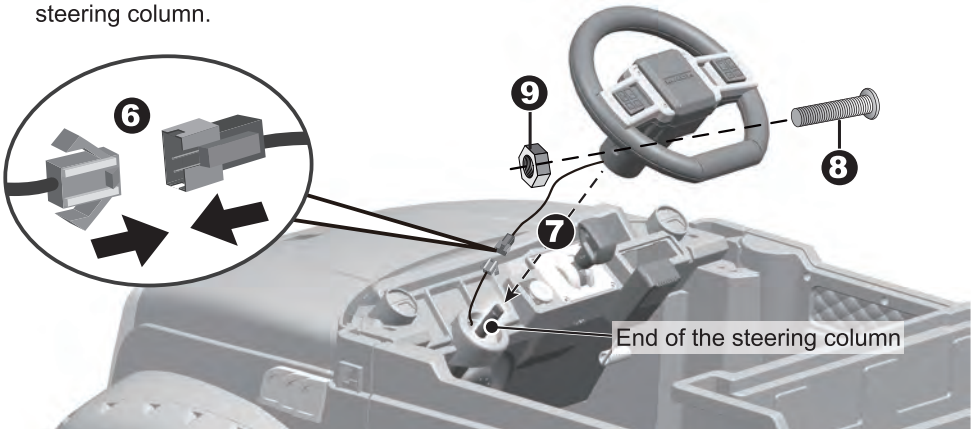
1. Slide a gear box onto the rear axle. “R” labeled gear box should be fit to the R side of vehicle body, “L” labeled gear box should be fit to the L side of vehicle body.
 2. Plug the connector on the gear box into the connector on the vehicle.
 3. Slide a driving wheel onto the rear axle.
 4. Slide a $\varnothing 12$ washer onto the rear axle.
 5. Tighten a lock nut to the end of the rear axle with a spanner.
- Repeat to the other side.
- HINT: An extra spanner has been provided to hold the Lock Nut on the other side of the rear axle while tightening the lock nut on the other side.
6. “Snap” the hubcap to the wheel.

Assembly

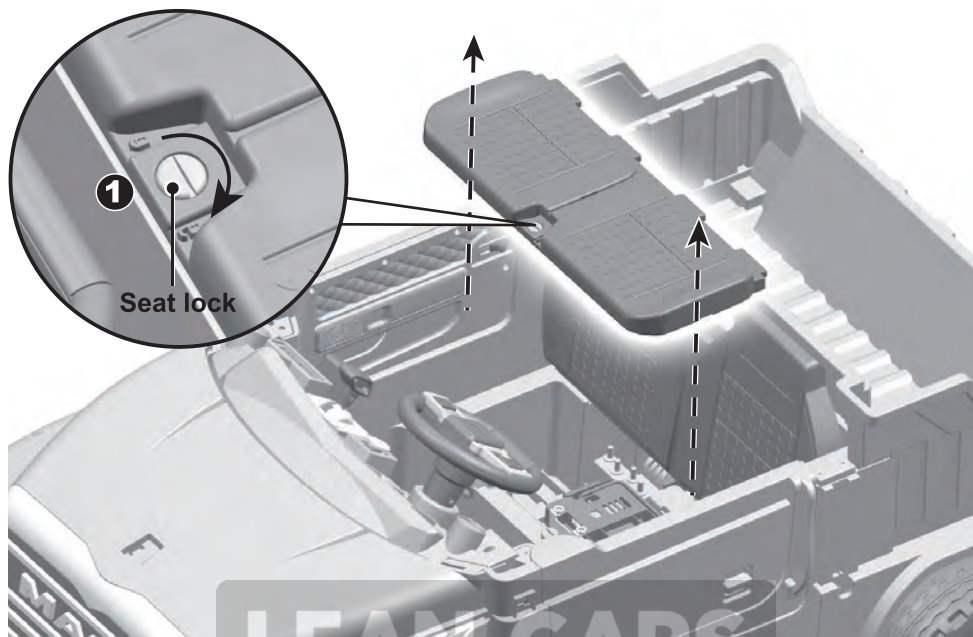
Tools required:
Spanner



1. Slide a $\text{Ø}12$ washer onto the front axle.
2. Slide a front wheel onto the front axle.
3. Slide a $\text{Ø}12$ washer onto the front axle.
4. Tighten a lock nut to the end of the front axle with a spanner.
- 5 "Snap" the hubcap to the wheel. Repeat to the other front wheel.
Turn the car body over.
6. Plug the sound unit connector on the steering wheel into the connector on the vehicle body.
7. Fit the steering wheel to the end of the steering column.
8. Align the holes on each side of steering wheel with the holes at the end of the steering column.
9. Fasten a nut on the opposite end of the screw to secure the steering wheel to the steering column.



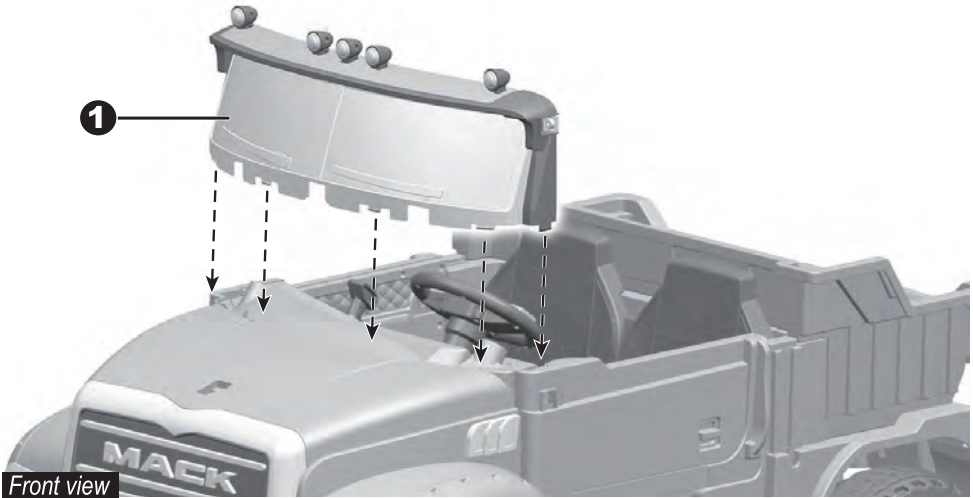
Assembly



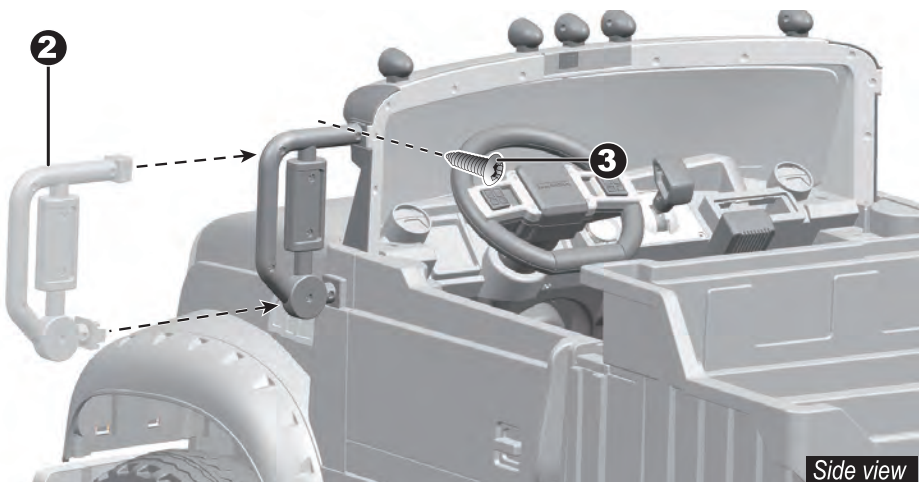
1. Using a slotted screwdriver (not included) or coin (not included) to rotate the seat lock 90 degrees in any direction, and remove the seat.
2. Replace the seat.

WWW.LEANTOYS.PL

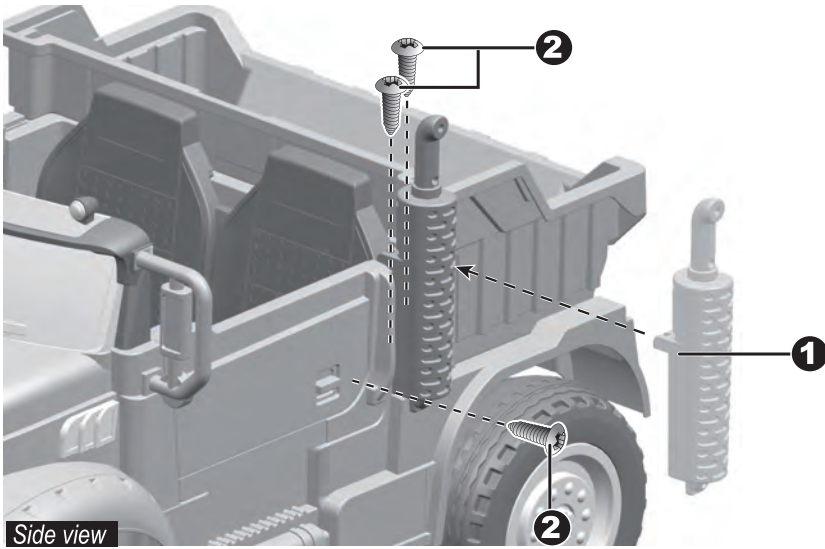
Assembly



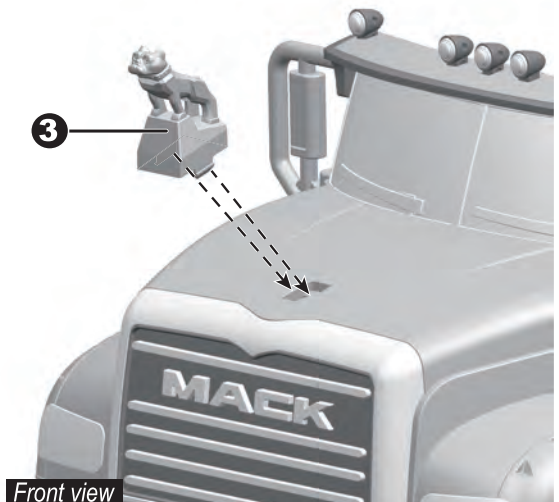
1. Fit the tabs on the windshield into the grooves on the vehicle, push it until you hear it “click” into place.
2. Fit the wing mirror to the side of the car body.
3. Tighten a $\text{Ø}4 \times 12$ screw through the windshield and into the mirror with a screwdriver. Repeat for the other mirror.



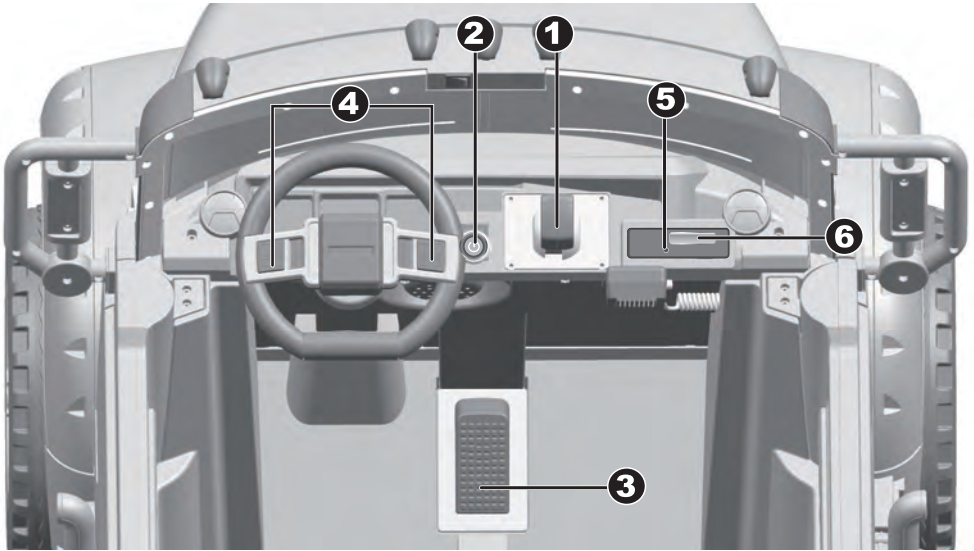
Assembly



1. Place the exhaust pipe against the edge between the door and the rear trailer.
2. Tighten three $\text{Ø}4 \times 12$ screws to secure it with a screwdriver as shown.
3. Fit the MACK hood emblem to the hood, push until you hear it “click” into place.



Use Your New Ride-on



1. Forward/Reverse switch:

Changes the direction that vehicle moves from forward to reverse.

IMPORTANT: Always stop vehicle when changing the speed or direction to avoid damage the gears and motor.

2. Button start:

Turns the vehicle on and off.

3. Foot pedal:

Applies power (speed) to the ride-on.

- To move the ride-on, press the pedal down.
- To brake or slow down, release pressure from the pedal.

4. Sound buttons:

Press for sound playing.

5. MP3 socket

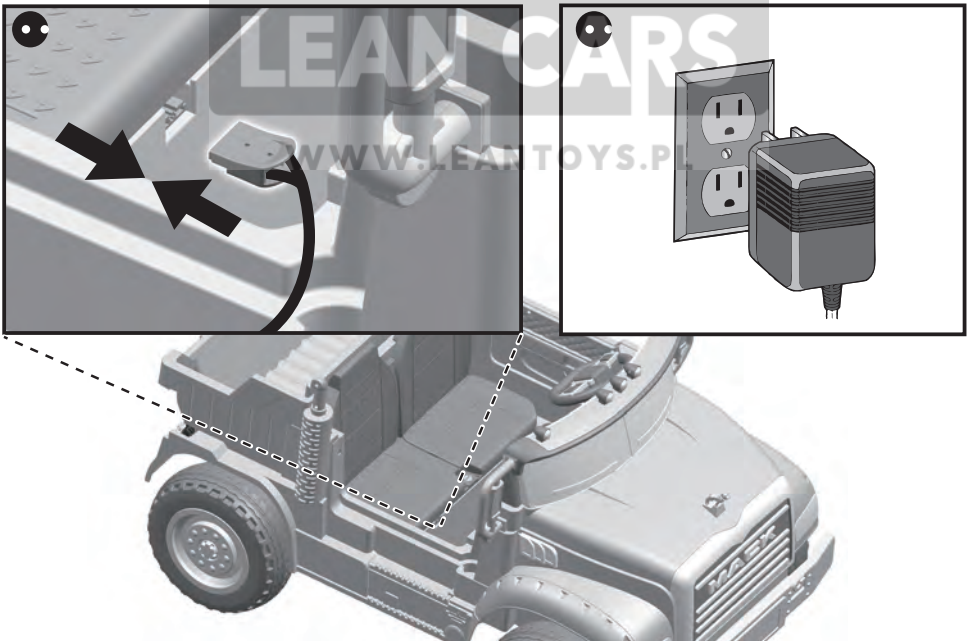
6. Battery indicator: Check the power remaining of your battery.

Charging

WARNING!

- This product with **Charging Protection**: when charging, all functions will be cut off!
 - Only an adult can charge and recharge the battery!
-
- The POWER SWITCH must be turned in **OFF** position when charging.
 - Do not recharge the battery for more than 10 hours to avoid overheating the charger.
 - When the vehicle begins to run slowly, recharge the battery.
 - After each use or once a month minimum recharge time as 8 to 12 hours, less than 20 hours at most.
 - Your ride-on with a **Digital power indicator**, if the reading of voltage less than 11.0 when the ride-on is stop, please recharge the battery.

Charging method one



1. Plug the charger connector into the input connector (below the seat) on the vehicle.
2. Plug the charger plug into a wall outlet. The battery will begin charging.

Troubleshooting Guide

Problem	Possible Cause	Solution
Vehicle does not run	Battery low on power	Recharge battery.
	Thermal fuse has tripped	The fuse will reset automatically in 20 seconds.
	Battery connector or wires are loose	Check that the battery connectors are firmly plugged into each other. If wires are loose around the motor contact your distributor please.
	Battery is dead	Replace battery, contact your distributor please.
	Electrical system is damaged	Contact your distributor please.
	Motor is damaged	Contact your distributor please.
Vehicle does not run very long	Battery is under charged	Check that the battery connectors are firmly plugged into each other when recharging
	Battery is old	Replace battery, contact your distributor please.
Vehicle runs sluggishly	Battery low on power	Recharge battery, contact your distributor please.
	Battery is old	Replace battery, contact your distributor please.
	Vehicle is overload	Reduce weight on vehicle. Maximum user weight is 40 kg.
	Vehicle is being used in harsh conditions	Avoid using vehicle in harsh conditions ,see <Safety>.
Vehicle needs a push to go forward	Poor contact of wires or Connectors	Check that the battery connectors are firmly plugged into each other. If wires are loose around the motor, contact your distributor please.
	“Dead Spot” on motor	A dead spot means the electric power is not being delivered to the terminal connection and the vehicle needs repair. Contact your distributor please.
Difficult shifting from forward to reverse or vice-versa	Attempting to shift while the vehicle is motion	Completely stop the vehicle and shift, see <Use Your New Vehicle>
Loud grinding or clicking noises coming from motor or gear box	Motor or gears are damaged	Contact your distributor please.
Battery will not recharge	Battery connector or adapter connector is loose	Check that the battery connectors are firmly plugged into each other.
	Charger not plugged in	Check that the battery charger is plugged into a working wall outlet.
	Charger is not working	Contact your distributor please.
Charger feels warm when recharging	This is normal and not a cause for concern	

Completely read through this manual and the troubleshooting guide table before calling. If you still need help resolving the problem **Contact your distributor please.**

Maintaining

- It is parents' responsibility to check main parts of the toy before using, Must regularly examine for potential hazard, such as the battery, charge, cable or cord, plug, screws are fastening enclosure of other parts and that in the event of such damage, the toy must not be used until that damage had been properly removed.
- Make sure the plastic parts of the vehicle are not cracked or broken.
- Occasionally use a lightweight oil to lubricate moving parts such as wheels.
- Park the vehicle indoors or cover it with a tarp to protect it from wet weather.
- Keep the vehicle away from sources of heat, such as stoves and heaters. Plastic parts may melt.
- Recharge the battery after each use. Only an adult can handle the battery. Recharge the battery at least once a month when the vehicle Raider is not being used.
- Do not wash the vehicle with a hose. Do not wash the vehicle with soap and water. Do not drive the vehicle in rainy or snowy weather. Water will damage the motor, electric system and battery.
- Clean the vehicle with a soft, dry cloth. To restore shine to plastic parts, use a non-wax furniture polish. Do not use car wax. Do not use abrasive cleaners.
- Do not drive the vehicle in loose dirt, sand or fine gravel which could damage the moving parts, motors or the electric system.
- When not using, all the electrical source should be turn off. Turn off the power switch and disconnect the battery connection.

LEAN CARS

WWW.LEANTOYS.PL

Fuse

The battery features a thermal fuse with a reset fuse that will automatically trip and cut all power to the vehicle if the motor, electric system or battery is overloaded. The fuse will reset and power will be restored after the unit is turned OFF for 20 seconds and then turned ON again. If the thermal fuse trips repeatedly during normal use, the vehicle may need repair.

To avoid losing power, follow these guidelines:

- Do not overload the vehicle.
- Do not tow anything behind the vehicle.
- Do not drive up steep slopes.
- Do not drive into fixed objects, which may cause the wheels to spin, causing the motor to overheat.
- Do not drive in very hot weather, components may overheat.
- Do not allow water or other liquids to come in contact with the battery or other electric components.
- Do not tamper with the electric system. Doing so may create a short, causing the fuse to trip.

LEAN CARS

Disposal Of Battery



- Your sealed lead-acid battery must be recycled or disposed of in an environmentally sound manner.
- Do not dispose of your lead-acid battery in a fire. The battery may explode or leak.
- Do not dispose of a lead-acid battery in your regular, household trash. The incineration, land filling or mixing of sealed lead-acid batteries with household trash is prohibited by law.

Our products are suitable for ASTM F963; GB6675; EN71 and EN62115 standard.