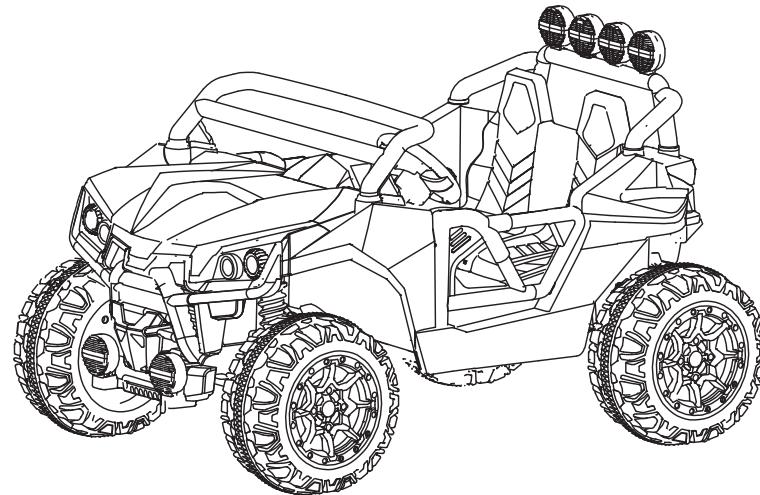


Owner's Manual

KL-2988



Age for: 36-95 months

Adult assembly required!

- Remote control or manual use for selection
- Remote control for forward, backward, turn left and turn right
- Stick shift switch for manual use to select moving forward or backward
- Music button on steering wheel, Multiple music PCB with SD and USB socket, double motors
- 4G remote control with soft start function, with safety belt

Please read the user manual before use. The Owner's manual contains assembly, use and maintenance instructions. The vehicle must be assembled by an adult who has read and understands the instructions in this manual. Keep the packaging away from children and dispose all packaging before use. Keep instructions for future reference.

SPECIFICATION

| | |
|-----------------|--|
| Battery | 12V 10AH*1 |
| Motor | Drive motor: 12V 35W*2 Steering motor: 12V 8W*1 |
| Age for | 36-95 Month |
| Weight capacity | 50kg |
| Vehicle size | 1320*840*800mm |
| Package size | 1340*780*580mm |
| Speed | 3-5km/hr |
| Net weight | 25kg |
| Using time | Each charge for 12-15hours, use 1-2 hours |
| Charger | Output: DC12V Input: Depend on local voltage |

Parts list in package

| Number | Part name | Quantity | Number | Part name | Quantity |
|--------|----------------------------------|----------|--------|------------------|----------|
| 1 | User Manual | 1 | 2 | Front windshield | 1 |
| 3 | Vehicle body | 1 | 4 | Wheels | 4 |
| 5 | Seat | 1 | 6 | Wheel cover | 4 |
| 7 | Steering wheel | 1 | 8 | Remote control | 4 |
| 9 | Charger | 1 | | | |
| 10 | Rear decoration lights component | | | | 1 |

-1-

Maintenance

The vehicle should be checked for damage, missing or badly worn parts before each use.

- Check the tightness of the fasteners before each use.
- Check the tightness of the wheel locknuts.
- Note:** If the wheel locknuts are not tight the drive wheel will not engage and the vehicle will not run.
- Ensure the battery is securely in place before use.
- Occasionally use lightweight oil to lubricate moving parts such as wheels and steering linkage. Do not use oil on plastic or nylon parts. No lubrication is required.
- Store the vehicle indoors or cover it with a tarp to protect it from the wet weather. Keep it away from sources of heat, such as stoves and heaters.
- Clean the vehicle with a soft, dry cloth. To restore shine to plastic parts, use a non-wax furniture polish. Do not use car wax, abrasive cleaners or wash the vehicle with soap and water. Water will damage the motor, electrical system and battery.

-10-

WARNING FOR USE

- Before using the vehicle for the first time the battery needs to be charged for 16 hours. Failure to do so may damage the battery and can't be repaired.
- Do not use the vehicle near streets, motor vehicles, drop-offs such as: steps, water (swimming pools), sloped surfaces, hills, wet areas, flammable vapors, in alleys, at night or in the dark.
- Only one rider use the vehicle, please not over load, the maximum capacity is 35KGS.
- Please not change the forward/backward switch position during the moving.
- Do not change the wires of the vehicle and add electrical parts.
- Please don't use in the rain or immerse the vehicle by other way, and also keep away from the fire to prevent the circuit damaged.
- Once come to an obstacle, the vehicle will stop move, please leave the obstacle then ride again.
- Don't ride the vehicle in the water, and not pour water and other liquid on the vehicle.
- Don't use the vehicle indoor to prevent damage the furniture or hurt the child.
- If the power of remote control battery is not enough, the vehicle can only move forward and backward, but can't turn left and right. The remote distance will be shorter and the vehicle may move not smoothly, please change the batteries urgently!
- Close the power switch if not use the vehicle. For a long time not use, please cut off the plugs for the battery.
- Once the vehicle speed is obviously be slow, the motor is not strong, and the music sound been lower, please charge the battery in time!

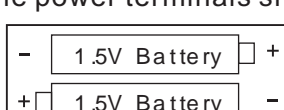
-9-

Warning for Charging the battery

- Insert the charger plug into charge hole on vehicle body first, then connect the other end with power supply.
- Charge the vehicle when each use after 1hour, normal charging time is 12 to 15 hours.
- Each charge no more than 20 hours.
- Only an adult who has read and understands the safety warnings should handle, charge or recharge of the battery.
- If the vehicle won't use for a long time, it need to be charged at least once per month.
- The charger and the battery may be a little heating-up, it will be acceptable if the temperature less than 60°C.
- The charging hole and jack can't be damp or it may cause short-circuit.
- Only charge the vehicle by proprietary charger which sell with the product.
- Note:** It is not necessary to remove the battery from the vehicle for charging.

How to use batteries in remote control

- Open the battery cover then insert the batteries according to their polarity as picture showed below, close the battery cover and fix it by a screw. The same steps for pick the batteries out.
- Two 1.5V AAA batteries needed.
- Do not charge the un-rechargeable batteries.
- Only charge the rechargeable batteries by adult.
- Pick the batteries out from the toy before charging.
- Do not mix use the different type of batteries or mix use new and old batteries.
- Insert the batteries by the correct polarity.
- Always pick out the power exhausted batteries.
- Never make the power terminals short circuit.

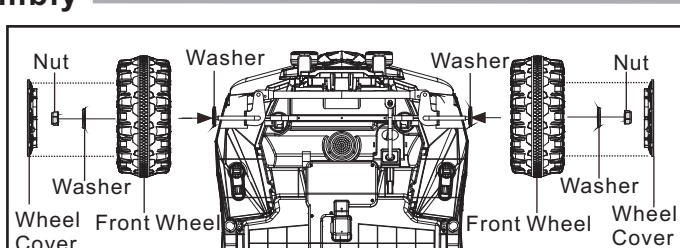


-2-

WARNING!

- The following safety hazards may result in serious injury or death to the child, please note below:
- The product must be assembled by an adult!
 - The small parts need to be kept away from the children under 3 years to prevent injury!
 - Always use the vehicle in a safe, secure environment with continuous adult supervision. Child use the vehicle must under adult's instruction!
 - Only charge the battery by an adult. Please charge the battery before first use!
 - Keep away the child from protective material and poly bags to prevent suffocation!
 - Regularly check the product including charger, wires, vehicle body and other parts, once found damage, please stop to use until mend it well.
 - Two AA 1.5V dry batteries is needed for remote control.
 - Ensure the polarity is right when inserting the dry batteries, once the power is used off please take them out.

Assembly

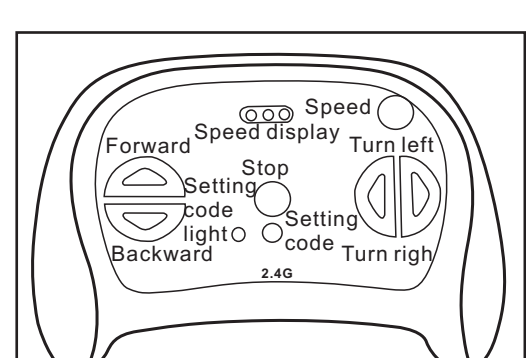


- 1.Install the front wheels:** Add a washer onto the front axle, insert the front axle through front wheel, add another washer and lock the front axle end by a M8 nut. (The same assembly way as rear wheels if you buy a vehicle with four-drive motors). Attach the wheel cover onto the front wheel and make sure the grooves fit well. (Same assembly way for both sides).

-3-

| Problem | Possible | Cause | Remedy |
|--|---|--|--------|
| Motor does not work | Pedal switch not connect well. The terminal and wire on motor loose The plug for motor and battery not connected well The motor is damaged. | Repair the pedal switch. Connect the wire and terminal Reconnect the plug Replace the motor | |
| Vehicle can go forward but can't backward | The forward/backward switch not connected well. The wire connect forward/backward and battery loose | Replace the switch. Reconnect the wire | |
| The speed is slow | The battery with low power The gear not fit well in the motor The charger is damaged (if the output terminal of charger tested no voltage) | Charge the vehicle Change the motor Change the charger | |
| The vehicle can't be charged | The battery is damaged (connect the charger and check the terminals on battery, there is a voltage of 6.8-8.0v) The charge socket not connected well or the welding spot loose | Change the battery Tighten the socket or reweld the wires | |
| The vehicle can move but no sound and lights | The button for music and lights is damaged. The wire from battery not connect the vehicle head plug well | Replace the buttons. Reconnect them. | |
| Motor works while the vehicle can't move | The motor loose from the gear box The gear in gear box damaged. | Open the gear box and tighten the screws to fix the motor. Change a new gear box. | |
| The vehicle moves but not smooth | The user weight is over 50kg. The vehicle moves on uneven surface. The wheels or axle seized up by something. The battery with low power. | No need mend.. No need mend. Just ride the vehicle on smooth surface. Check the wheels and axle, remove the debris. Charge the vehicle in time. | |
| The vehicle can't stop | The pedal can't rebound when remove the foot. | Check the pedal switch, remove the debris. If damaged, change a new switch. | |

-8-

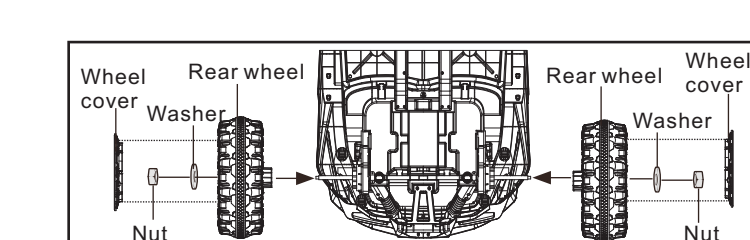


(Use instruction for 2.4G remote control: 1. Insert the 1.5 AAA batteries into the battery box. 2. Press the code setting button and not release, open the vehicle power, use the remote control according to the instruction at the back of remote.)

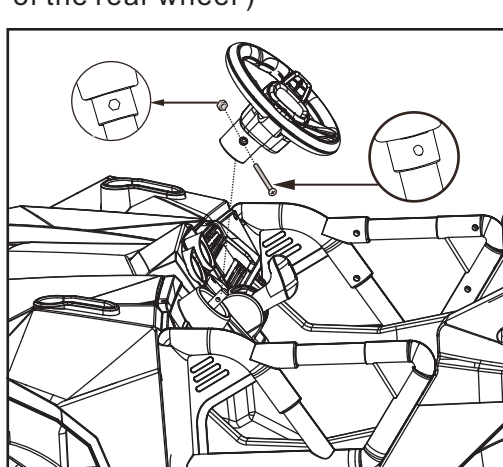
- Set the power switch at "OFF" if not ride the vehicle, and set the Forward/backward switch at "Stop" location if not ride on the vehicle. When power is cut off, there is no music can be play.
- Use battery in remote control
Open the battery cover, insert two 1.5V AAA batteries into the battery box, close the battery cover and fix it by a screw.
- Fuse
The self-resetting fuse has the function of self cut off and self reset the power. Once stripped, waiting for 10 seconds and then can use the vehicle again.
- Handle ring
If the power exhausted, unfold the handle ring under the back of vehicle, then you can pull the vehicles easily.

Troubleshooting Guide

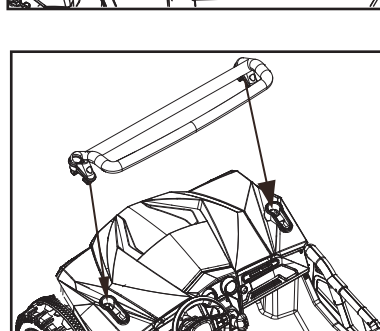
-7-



- 2.Install the rear wheels:** Attach to rear wheel and gear box and attach the rear axle, add a washer, lock the rear axle end by a M8 nut. Attach the wheel cover onto the rear wheel and make sure the grooves fit well. (Same assembly way for both sides). (Once found more washers, please add onto the rear axle out of the rear wheel)

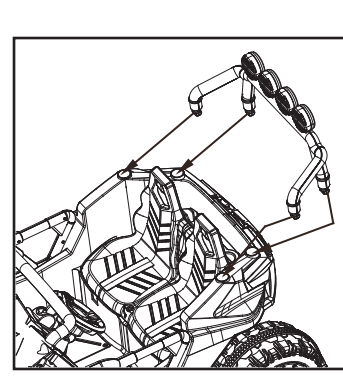


- 3.Install the steering wheel:** Connect the terminals on steering wheel and vehicle wire, then insert the steering wheel onto the steering shaft, make all the holes in a line, insert a M5 bolt through the holes and lock it by a M5 nut. the steering screw and tighten the nut by screw driver.

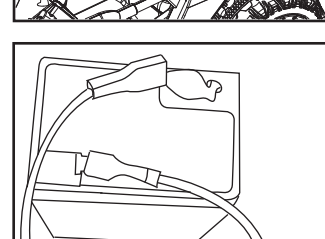


- 4.Install the windshield:** Press the whole front windshield component into the grooves on vehicle body as picture show until hear a click sound.

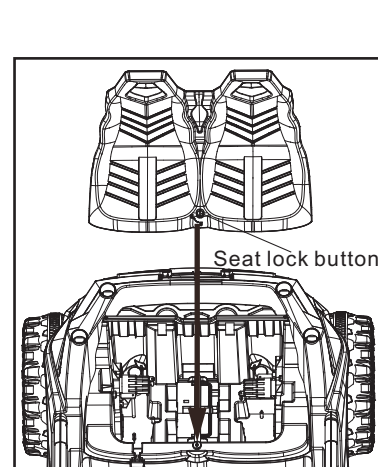
-4-



- 5.Install the decoration rear lights:** Press the whole decoration rear lights component onto the vehicle body as picture show until hear a click sound. (If there are any lights wires, please through the wire from the holes on the rear lights component first and connect the terminals of the lights wires and power wires first)



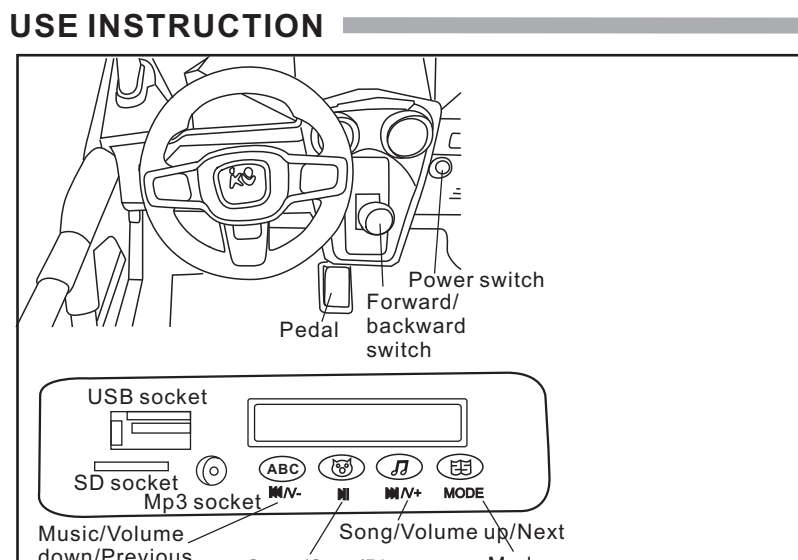
- 6.Connect the power wires:** Connect the wires with the battery terminals as picture show. Red wire connected to positive pole with a red terminal on the battery while black wire connected to negative pole with a black terminal. (Note: Do not connect the wires and battery terminals by wrong polarity).



- 7.Install the seat:** Attach the seat onto the vehicle body, press and turn the lock by 90° to fix it on the vehicle body.

-5-

USE INSTRUCTION



- 1.Manual use**
Ride on the vehicle, press the power switch to open the power. If music stopped suddenly during playing, cut the power and restart the music button again. Set the Forward/Backward switch at "Forward" location, press the pedal by foot, the vehicle will move forward, release the pedal, the vehicle will stop. Set the Forward/Backward switch at "Backward" location, press the pedal by foot, the vehicle will move backward, release the pedal, the vehicle will stop. Set the Forward/Backward switch at middle location, press the pedal by foot, the vehicle won't move.
- 2.Remote control use**
Ride on the vehicle, press the power switch to open the power. If music stopped suddenly during playing, cut the power and restart the music button again. Press the certain button on the remote control, the vehicle will move accordingly.

-6-