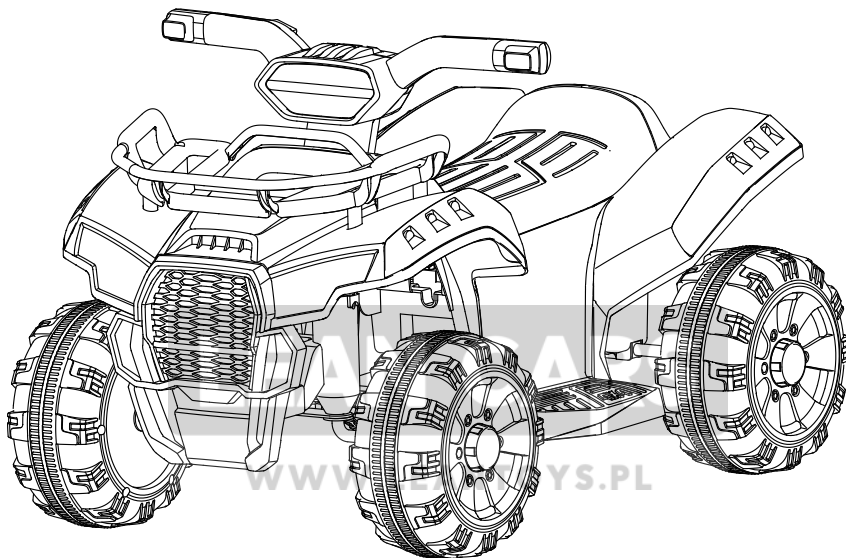


# Children's Toy Beach Car

**BATTERY POWERED RIDE-ON**



## **Owner's Manual with Assembly Instructions**

Styles and colo(u)rs may vary.  
Made in China.

The owner's manual contains important safety information as well as assembly, use and maintenance instructions.

The Ride-on Car must be assembled by an adult who has read and understands the instructions in this manual.

Keep the package away from children and dispose of properly before use.

**Keep this manual for future reference.**

On the purchase of your new Ride-On.

This ride-on will provide your child with many miles of riding of enjoyment. To help assure you and your rider a safe ride we ask you to please read this manual carefully, and keep it for future reference.

Follow the recommendations in this manual, they are designed to improve the safety and operation of your ride-on car and it's rider.

# LEAN CARS

## **SPECIFICATIONS:** [WWW.LEANTOYS.PL](http://WWW.LEANTOYS.PL)

<b>Battery</b>	6V4AH *1 or 6V4.5AH *1
<b>Charger</b>	6V500mA

<b>Suitable age:</b>	18-36 months
<b>Load Capacity:</b>	Under 20kg
<b>Speed:</b>	2km/h
<b>Size of car:</b>	66 * 44 * 42 CM
<b>Power way:</b>	Charging type
<b>Charge time:</b>	8-12 hours

 **WARNING!**

- **CHOKING HAZARD** - Small parts. Not suitable for children under 18 months. The product contains small parts, keep children away when assembling.
- **ADULT ASSEMBLY REQUIRED.**
- Always remove protective material and poly bags and dispose before assembly.
- Protective equipment should be worn. Always wear shoes and sit in the seat when operating the vehicle.
- Only drive on level ground. Never use on the lawn.
- Never leave a child unattended.
- Keep your hands, hair, and clothes away from moving parts.

 **SAFETY**

The following safety hazards may result in serious injury or death:

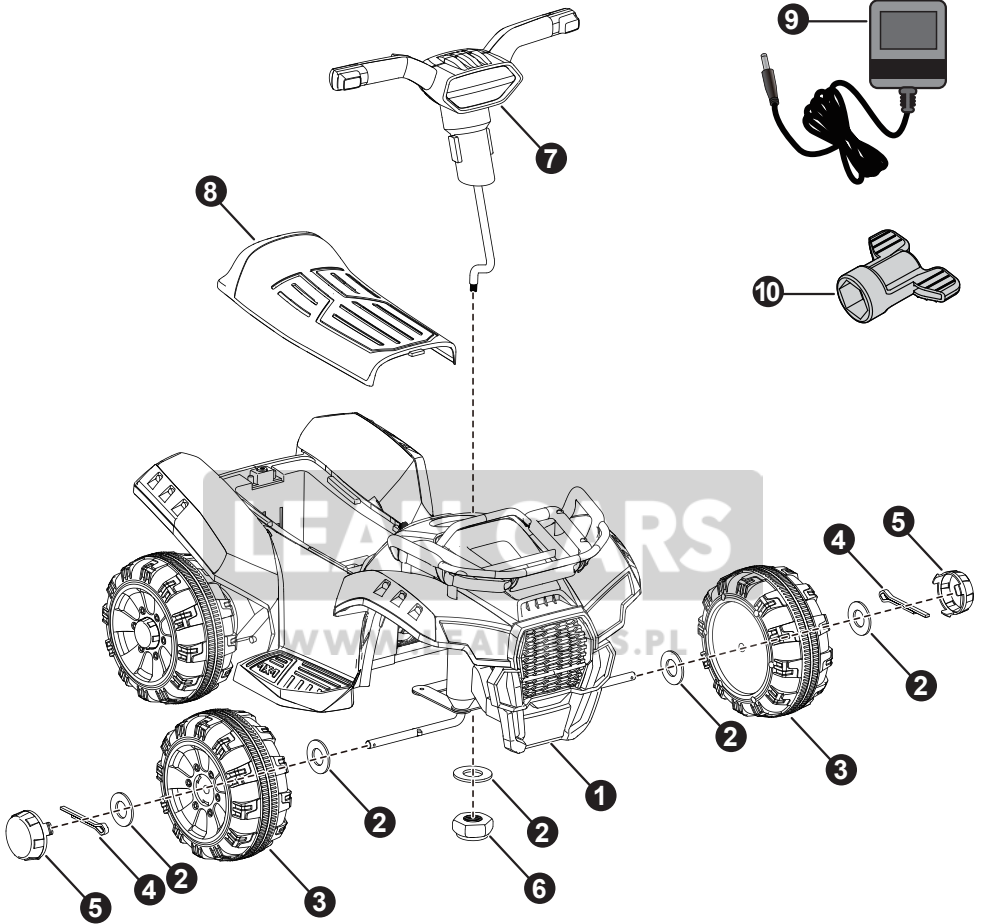
- Never leave child unattended. Direct adult supervision is required. Always keep child in view when child is in vehicle.
- To reduce the risk of injury, adult supervision is required. Never use in roadways, near motor vehicles, on or near steep inclines or steps, swimming pools or other bodies of water, always wear shoes, and never allow more than 1 rider.
- Never use in unsafe conditions such as snow, rain, loose dirt, mud, sand, or gravel, otherwise may result in an unexpected accident such as tipping over, and could damage the electrical system or battery
- Not to be used in traffic.
- This toy should be used with caution since skill is required to avoid falls or collisions causing injury to the user or third parties.
- This toy is unsuitable for children under 18 months due to its maximum speed; Maximum user weight is 20kg.
- This toy has no brake.

 **BATTERY INFORMATION**

- Non-rechargeable batteries are not to be recharged.
- Rechargeable batteries are to be removed from the toy before being charged.
- Rechargeable batteries are only to be charged under adult supervision.
- Different types of batteries or new and used batteries are not to be mixed.
- Batteries are to be inserted with the correct polarity.
- Exhausted batteries are to be removed from the toy.
- The supply terminals are not to be short-circuited.

# Parts Diagram | 3

HINT: Some parts shown are assembled on both sides of vehicle



PART NO.	PART NAME	Q'ty (pcs)	REMARKS
1	Vehicle body	1	
2	Ø10 washer	5	
3	Front wheel	2	
4	Split pin	2	
5	Hubcap	2	
6	Lock nut	1	
7	Handle bar	1	
8	Seat	1	
9	Charger	1	
10	Spanner	1	

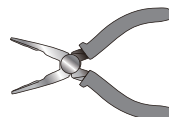


WWW.LEANTOYS.PL

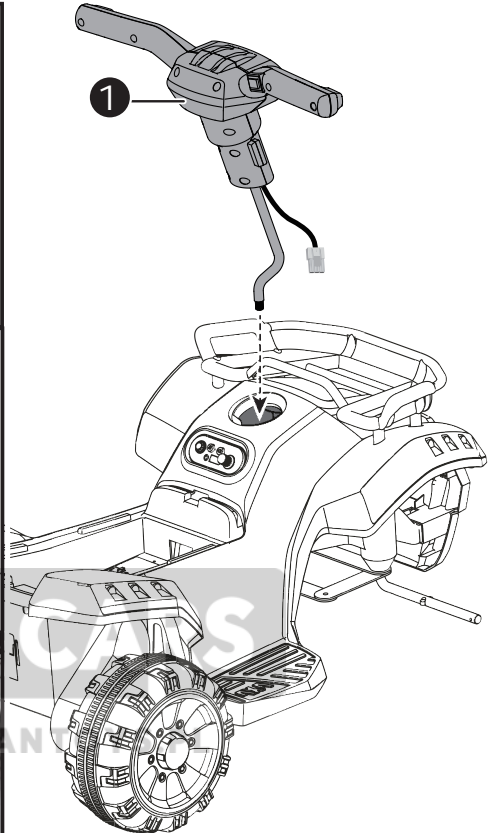
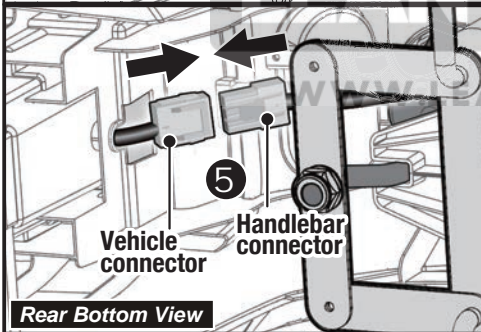
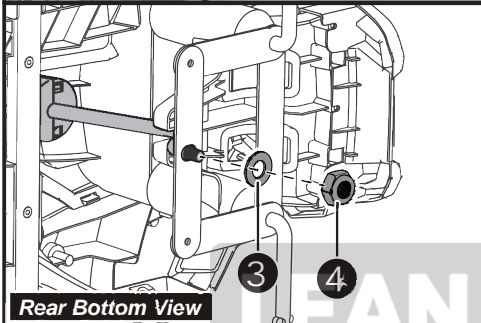
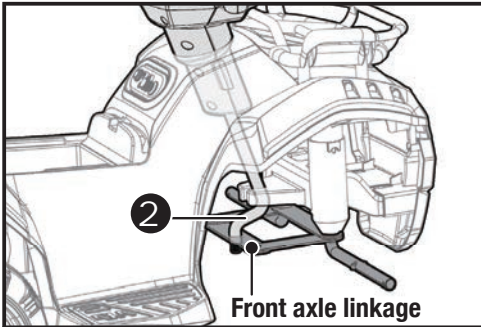
**Assembly tools required (not included):**



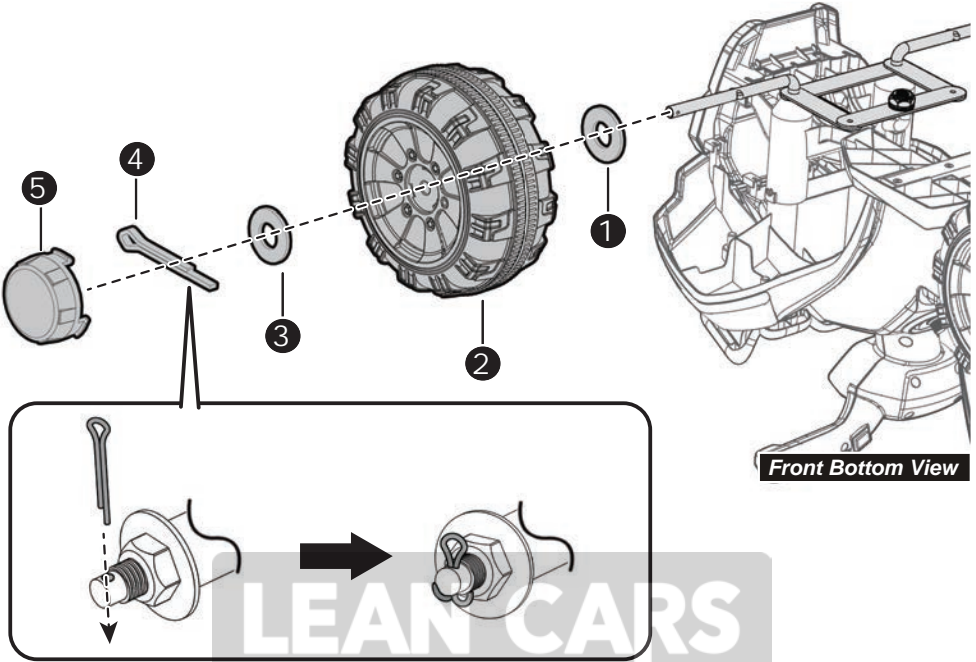
**Screwdriver**



**Long nose pliers**



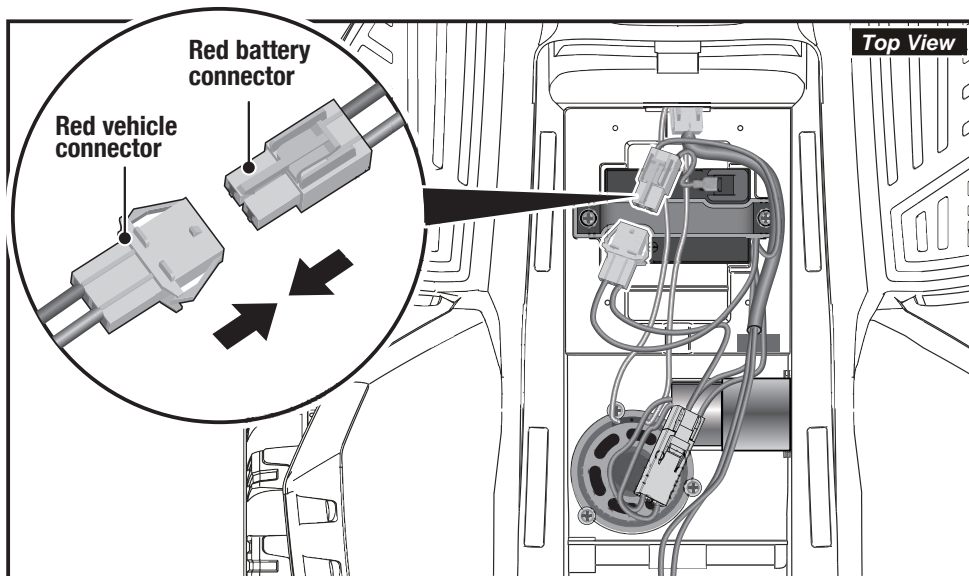
1. Insert the handlebar assembly together with wire into the large opening at the front of the vehicle body.
2. Ensure that the steering column is placed through the hole in the steering linkage.
- 3-4. Turn the vehicle body on its side. Fit a Ø10 washer to the handlebar column, and tighten a locknut with a spanner.
5. Insert the handlebar connector into the vehicle connector.



Turn the vehicle body downside up. Remove all the parts from the front axle.

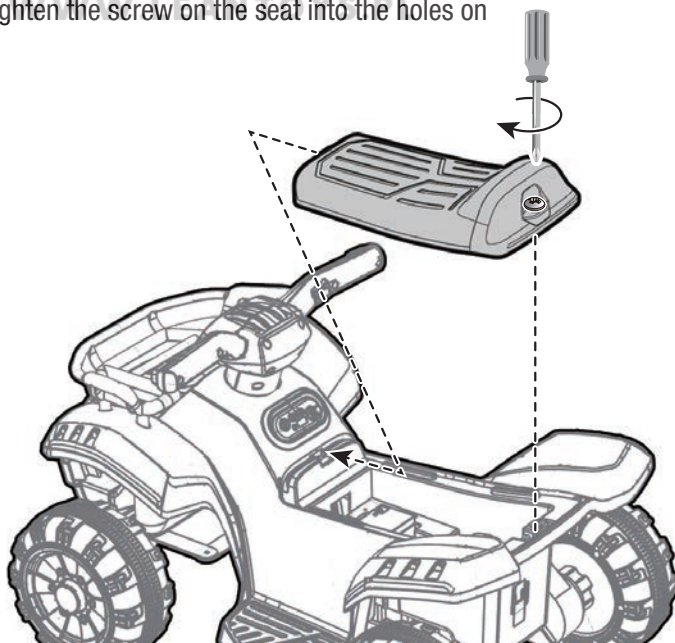
1. Slide a  $\varnothing 10$  washer onto the front axle.
2. Slide a front wheel onto the front axle.
3. Slide a  $\varnothing 10$  washer onto the front axle.
4. Insert the split pin into the hole in the end of the front axle. Bend the ends of split pins back using a long nose pliers (not included).
5. "Snap" a hubcap to the front wheel.

Repeat the above procedure to assemble the other front wheel.

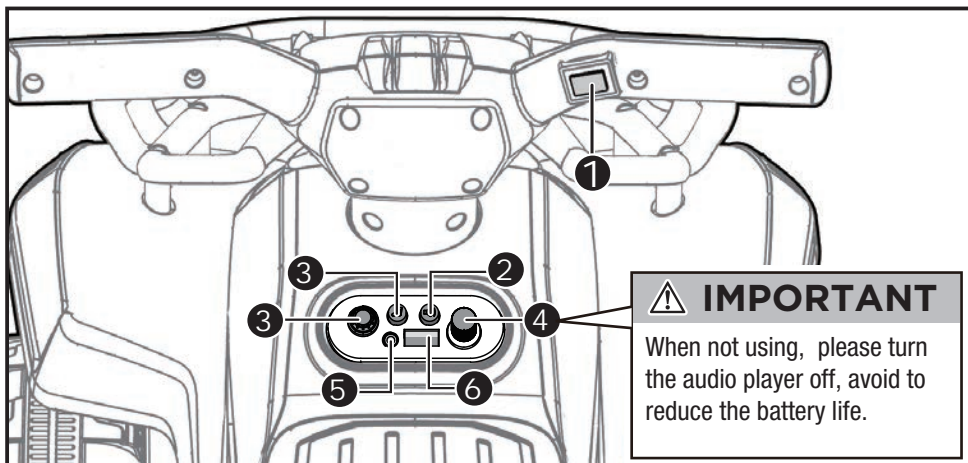


Turn the vehicle body upright.

1. Plug the red vehicle connector into red battery connector on the battery.
2. Fit the tab on the seat into the grooves on vehicle body.
3. Use a screwdriver to tighten the screw on the seat into the holes on the vehicle body.







**⚠ IMPORTANT**  
 When not using, please turn the audio player off, avoid to reduce the battery life.

1. **Forward button:** Press down on the button to drive forward, release to slow and stop.
2. **Sound buttons:** Press for sounds playing.
3. **Music button:** Press for music playing.
4. **Volume knob:** Turn the audio player on and off, +/- the volume.
5. 3.5mm AUX input
6. USB interface



**⚠ IMPORTANT**

- Always stop vehicle when changing the speed (if equipped) or direction to avoid damage the gears and motor.



Use the vehicle on generally level ground ONLY!

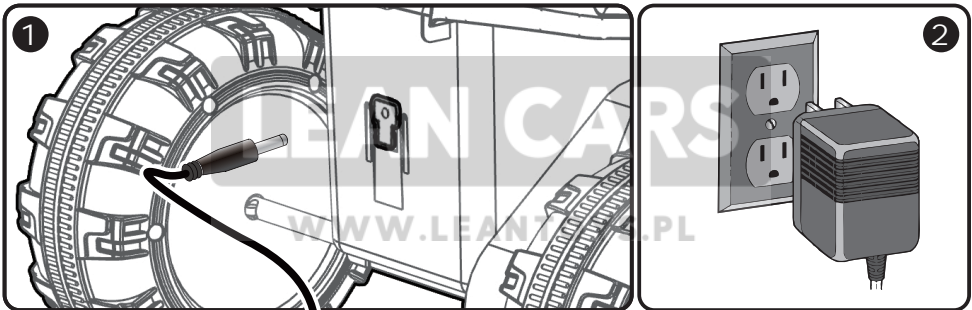
DO NOT Use the vehicle on Lawn space!

**LEAN CARS**

[WWW.LEANTOYS.PL](http://WWW.LEANTOYS.PL)

## **WARNING!**

- **ONLY** an adult is allowed charge and recharge the battery!
- This product with **Charging Protection**: when charging, all functions will be cut off.
- The **POWER SWITCH** must be turned in **OFF** position when charging.
- Before the first use, you should charge the battery for 4-6 hours. Do not recharge the battery for more than 10 hours to avoid overheating the charger.
- When the vehicle begins to run slowly, recharge the battery.
- After each use or once a month minimum recharge time as 8 to 12 hours, less than 20 hours at most.
- Use the only rechargeable battery and charger supplied with your vehicle. **NEVER** substitute the battery or the charger with another brand. Using another battery or charger may cause a fire or explosion.
- Do not use the battery or charger for any other product.



1. Plug the charger port into the input socket (the socket is on the back of vehicle body).
2. Plug the charger plug into a wall outlet. The battery will begin charging.

## Battery Disposal



The battery will eventually lose the ability to hold a charge. Depending on the amount of use, and varying conditions, the battery should operate for one to three years.

**Important!** Recycle the dead battery responsibly. The battery contains lead acid (electrolyte) and must be disposed of properly and legally. It is illegal in most areas to incinerate lead acid batteries or dispose of them in landfills. Take it to a federal or state-approved lead acid battery recycler, such as local automotive battery retailer.

Do not throw the battery away with your regular household waste!

Problem	Possible Cause	Solution
Vehicle does not run	Battery low on power	Recharge battery.
	Thermal fuse has tripped	Reset fuse, see <Fuse>
	Battery connector or wires are loose	Check that the battery connectors are firmly plugged into each other. If wires are loose around the motor <b>contact your distributor please.</b>
	Battery is dead	Replace battery, <b>contact your distributor please.</b>
	Electrical system is damaged	<b>Contact your distributor please.</b>
	Motor is damaged	<b>Contact your distributor please.</b>
Vehicle does not run very long	Battery is under charged	Check that the battery connectors are firmly plugged into each other when recharging
	Battery is old	Replace battery, <b>contact your distributor please.</b>
Vehicle runs sluggishly	Battery low on power	Recharge battery, <b>contact your distributor please.</b>
	Battery is old	Replace battery, <b>contact your distributor please.</b>
	Vehicle is overload	Reduce weight on vehicle.
	Vehicle is being used in harsh conditions	Avoid using vehicle in harsh conditions, see <Safety>.
Vehicle needs a push to go forward	Poor contact of wires or connectors	Check that the battery connectors are firmly plugged into each other. If wires are loose around the motor, <b>contact your distributor please.</b>
	“Dead Spot” on motor	A dead spot means the electric power is not being delivered to the terminal connection and the vehicle needs repair. <b>Contact your distributor please.</b>
Difficult shifting from forward to reverse or vice-versa	Attempting to shift while the vehicle is motion	Completely stop the vehicle and shift, see <Use Your Ride-On>
Loud grinding or clicking noises coming from motor or gear box	Motor or gears are damaged	<b>Contact your distributor please.</b>
Battery will not recharge	Battery connector or adapter connector is loose	Check that the battery connectors are firmly plugged into each other.
	Charger not plugged in	Check that the battery charger is plugged into a working wall outlet.
	Charger is not working	<b>Contact your distributor please.</b>
Charger feels warm when recharging	This is normal and not a cause for concern	

Completely read through this manual and the troubleshooting guide table before calling. If you still need help resolving the problem **Contact your distributor please.**

- It is parents' responsibility to check main parts of the toy before using, Must regularly examine for potential hazard, such as the battery, charge, cable or cord, plug, screws are fastening enclosure of other parts and that in the event of such damage, the toy must not be used until that damage had been properly removed.
- Park the vehicle indoors or cover it with a tarp to protect it from wet weather.
- Recharge the battery after each use. Only an adult can handle the battery. Recharge the battery at least once a month when the vehicle raider is not being used.
- Do not wash the vehicle with a hose. Do not wash the vehicle with soap and water. Do not drive the vehicle in rainy or snowy weather. Water will damage the motor, electric system and battery.
- Clean the vehicle with a soft, dry cloth. To restore shine to plastic parts, use a non-wax furniture polish. Do not use car wax. Do not use abrasive cleaners.
- When not using, all the electrical source should be turn off. Turn off the power switch and disconnect the battery connection.

## Fuse

The battery features a thermal fuse with a reset fuse that will automatically trip and cut all power to the vehicle if the motor, electric system or battery is overloaded. The fuse will reset and power will be restored after the unit is turned OFF for 20 seconds and then turned ON again. If the thermal fuse trips repeatedly during normal use, the vehicle may need repair. Contact your distributor please.

To avoid losing power, follow these guidelines:

- Do not overload the vehicle.
- Do not tow anything behind the vehicle.
- Do not drive up steep slopes.
- Do not drive into fixed objects, which may cause the wheels to spin, causing the motor to overheat.
- Do not drive in very hot weather, components may overheat.
- Do not allow water or other liquids to come in contact with the battery or other electric components.
- Do not tamper with the electric system. Doing so may create a short, causing the fuse to trip.

**Our products are suitable for  
ASTM F963; GB6675; EN71 and EN62115 standard.**