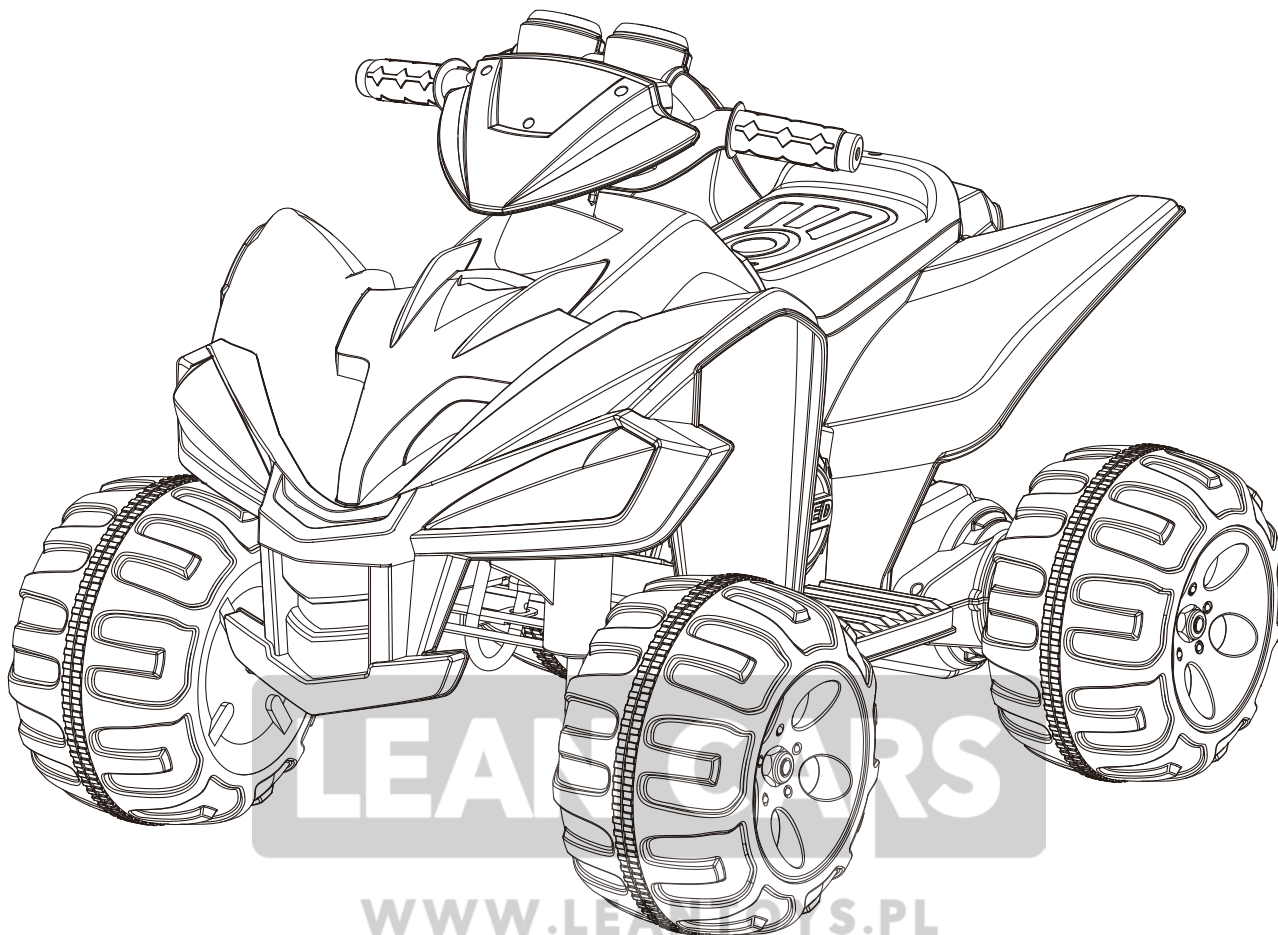


CHILDREN'S ELECTRIC TOY CAR



- Suitable for 37~96 months
- Maximum user weight: 30kg
- Adult assembly required

OWNER'S MANUAL

Read and understand this entire manual before using!

Please keep this manual for future reference as it contains important information.

Before first time use, charge the battery for at least 4-6 hours.

CAUTION



WARNING

CHOKING HAZARD - Small parts.
Not suitable for children under 37 months.



Use the vehicle on generally level ground ONLY!



IMPORTANT

1WD

This label means the information or assembly for *One Wheel Drive* version ONLY!

2WD

This label means the information or assembly for *Two Wheels Drive* version ONLY!

H/L SPEED

This label means the information for *High/Low Speed* version ONLY!



WARNING!

FOR THE SAFETY OF YOUR CHILD, PLEASE READ ALL WARNINGS AND ASSEMBLY/USE INSTRUCTIONS. KEEP THIS GUIDE FOR FUTURE REFERENCE.

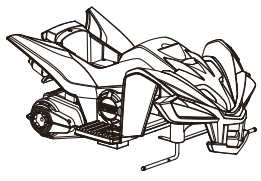
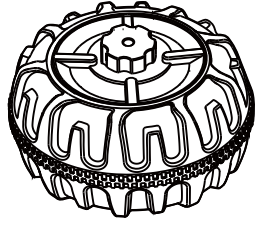

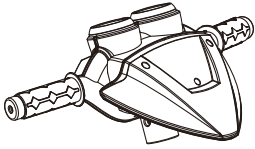
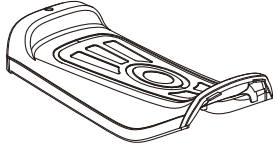
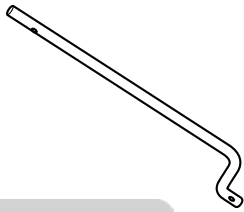
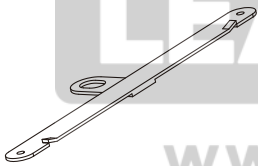
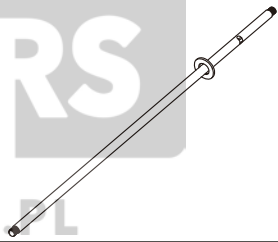


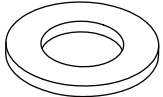

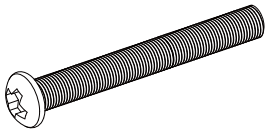
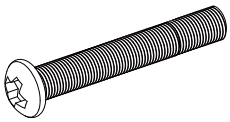
- **ADULT ASSEMBLY REQUIRED.** The product contains small parts, which are for adult assembly only. Keep children away when assembling.
- Always remove protective material and poly bags and dispose before assembly.

ABOUT YOUR NEW VEHICLE

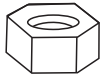
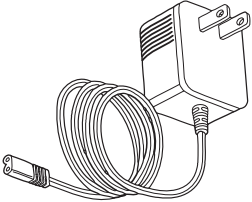
Thank you for your purchasing our products, we wants your child to enjoy this product for years to come. Keep these points in mind as you read this guide:

Battery & Fuse:	1WD 6V7AH x1(Fuse: 10A), 6V10AH x1 (Fuse:10A) 2WD 12V7AH x1(Fuse: 15A) H/L SPEED 12V7AH x1(Fuse: 15A and 5A)		
Load Capacity:	Under 30KGS	Size of car:	97x66x65CM
Suitable age:	37~96 months	Speed:	1WD 3KM/H 2WD 3~5KM/H
Average battery life:	Approximately 300 times	Charger:	Input: depend on local voltage Output: DC 6V500mA or DC6V1A or DC12V1A
Charge time:	8-12 Hours	Power way:	Charging type

PARTS LIST


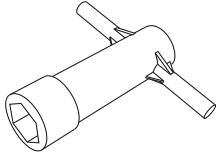
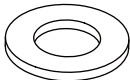
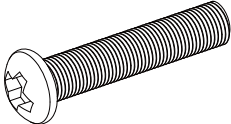
PART NO.	PART NAME	PICTURE	Q'ty (pcs)	REMARKS	PART NO.	PART NAME	PICTURE	Q'ty (pcs)	REMARKS
1	Vehicle body		1		2	Driving wheel		1WD x1 2WD x2	
3	Wheel		1WD x3 2WD x2		4	Handle bar		1	
5	Seat		1		6	Steering shaft		1	
7	Front axle plate		1	Placed in the assembly package	8	Rear axle		1	
9	Ø10 Locknut		4	Placed on the front axle and rear axle.	10	Ø5 Washer		2	Placed on the front axle plate
11	Ø12 Locknut		8	Placed on the front axle and rear axle.	12	Ø5 Washer		2	Placed on the front axle plate
13	M5x35 machine screw		1	Placed on the steering wheel	14	M5x14 machine screw		2	Placed on the front axle plate

PARTS LIST

PART NO.	PART NAME	PICTURE	Q'ty (pcs)	REMARKS	PART NO.	PART NAME	PICTURE	Q'ty (pcs)	REMARKS
15	Ø5 nut		1	Placed on the steering wheel	16	Charger		1	

LEAN CARS

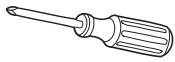
Assembly package

PART NO.	PART NAME	PICTURE	Q'ty (pcs)	REMARKS	PART NO.	PART NAME	PICTURE	Q'ty (pcs)	REMARKS
17	Split pin		2	1pcs for spare	18	Spanner		2	
19	Ø10 wahser		2	1pcs for spare	20	M5x12 machine screw		1	

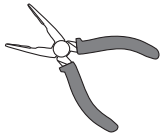
PARTS DIAGRAM

NOTE: Some parts shown are assembled on both sides of vehicle

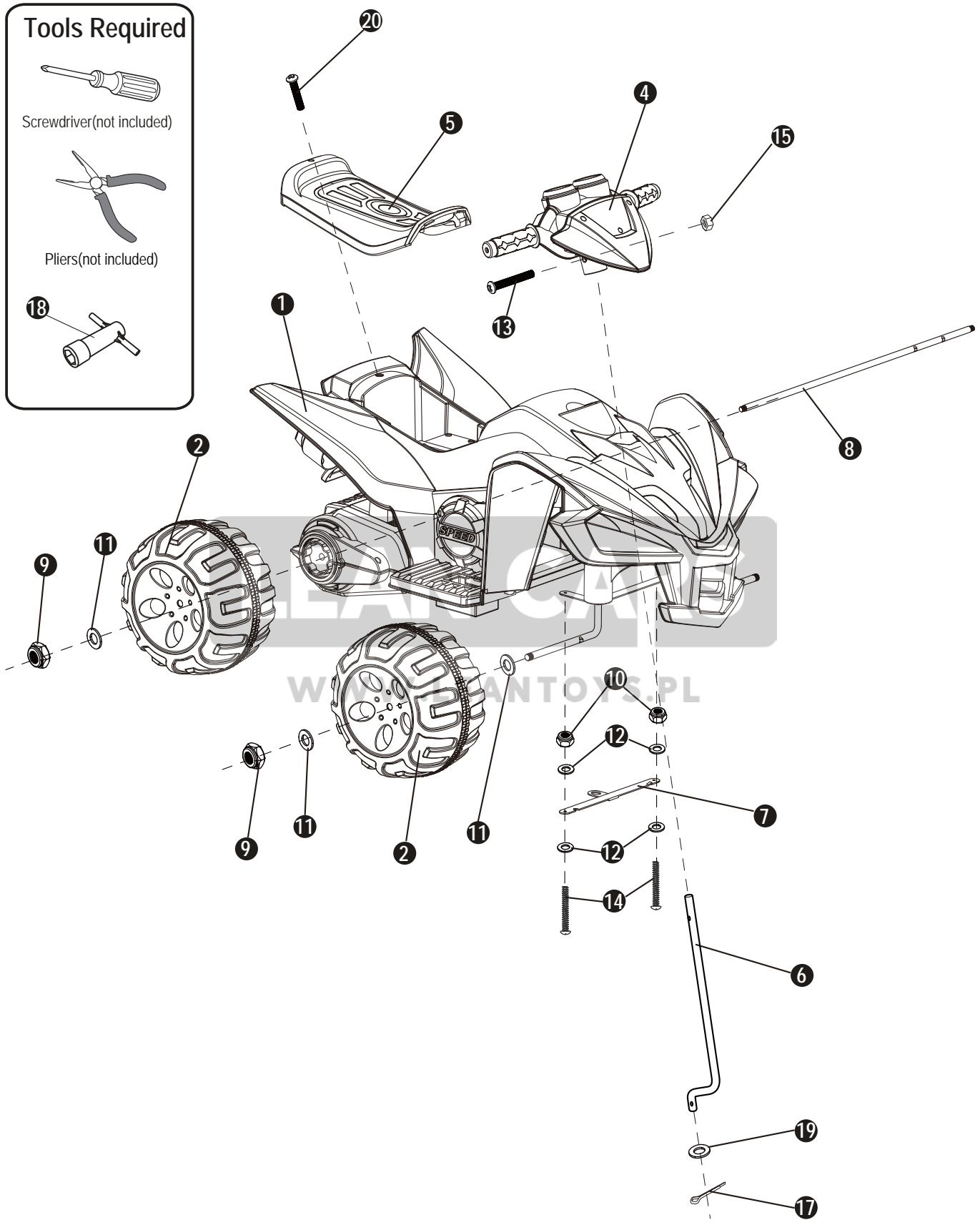
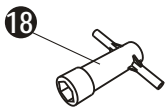
Tools Required



Screwdriver(not included)

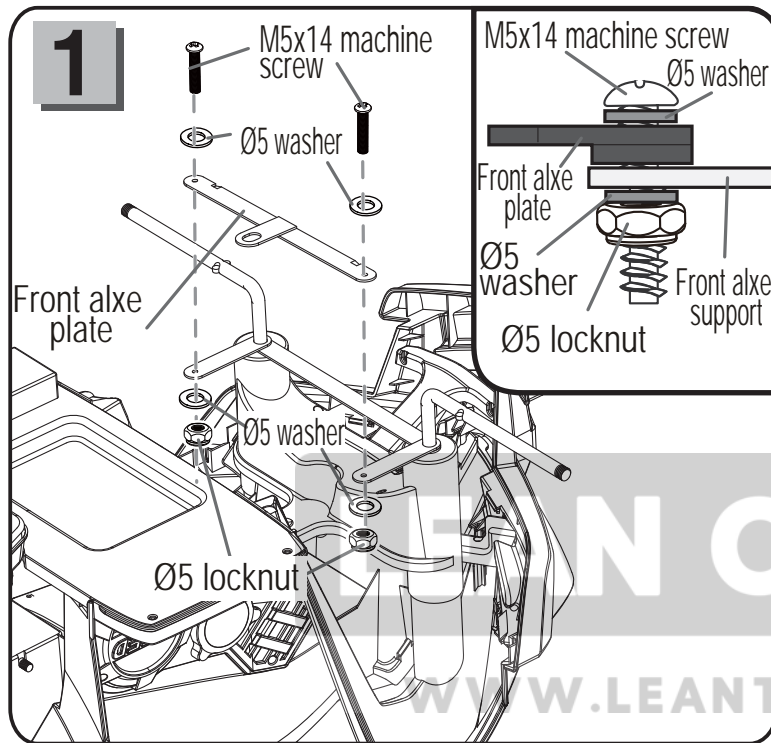


Pliers(not included)

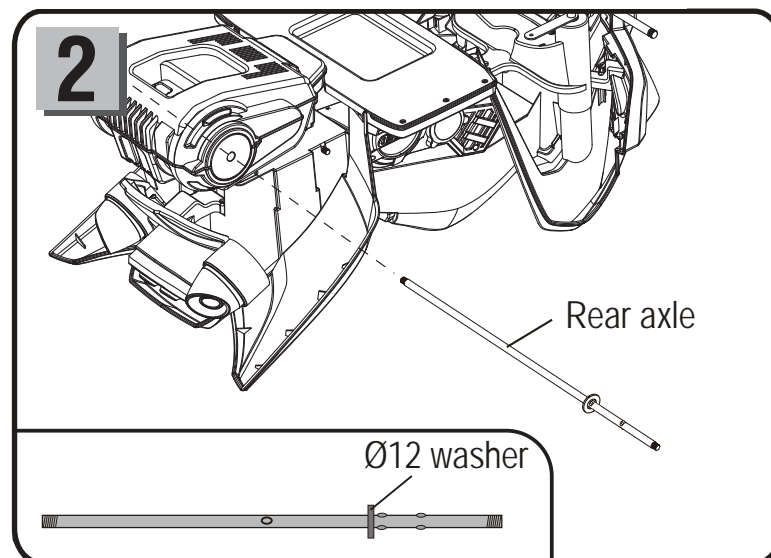


ASSEMBLY STEPS

- **Your new vehicle requires adult assembly.** Please set aside at least 40 minutes for assembly. Children can be harmed by small parts, sharp edges and sharp points in the vehicle's unassembled state. Care should be taken in unpacking and assembly of the vehicle. Children should not handle parts, or help in assembly of the vehicle.
- Please identify all parts before assembly and save all packaging material until assembly is complete to ensure that no parts are discarded.
- Assembly tool for need: screwdriver(not included),pliers(not included) and spanner.

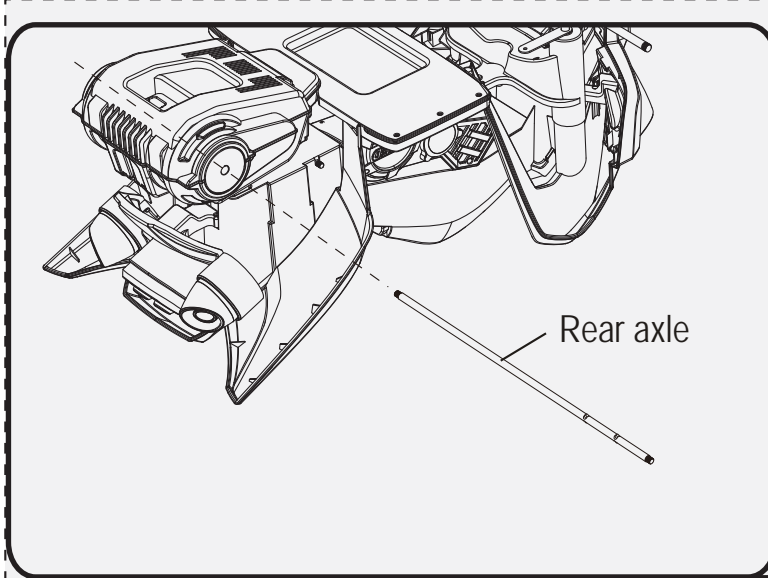


- Turn the vehicle body upside down.
- Remove all the parts from the front axle plate.
- Fit the front axle plate against the front axle support.
- Fit a Ø5 washer against the front axle plate.
- Insert the M5x14 machine screw through the Ø5 washer, the front axle plate and out through the front axle support, fit and hold a Ø5 washer against the front axle support, then fit a Ø5 locknut to the end of the screw.
- While holding the locknut with the pliers, tighten the screw with a screwdriver.
- Repeat for the other side.



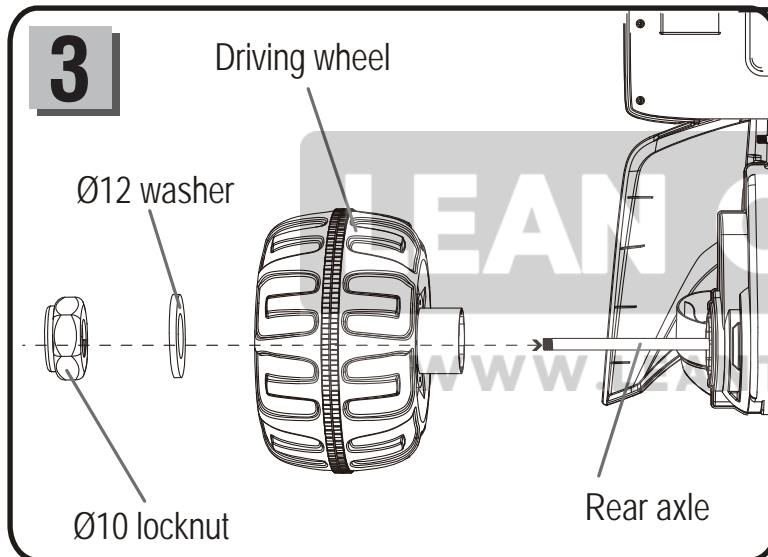
- Remove all the parts from the rear axle. **1WD**
- Insert a Ø12 washer onto the rear axle from the longer end.
- Insert the rear axle through the hole in vehicle body from right side(standing at the rear of the vehicle body)

ASSEMBLY STEPS



- Remove all the parts from the rear axle.
- Insert the rear axle through the hole in the rear of the vehicle body.

2WD



- Fit the driving wheel onto the rear axle from the left side (standing at the rear of the vehicle body). Make it match with the gear box.
- Fit a Ø12 washer onto the rear axle.
- Fit a Ø10 locknut to the end of the rear axle.

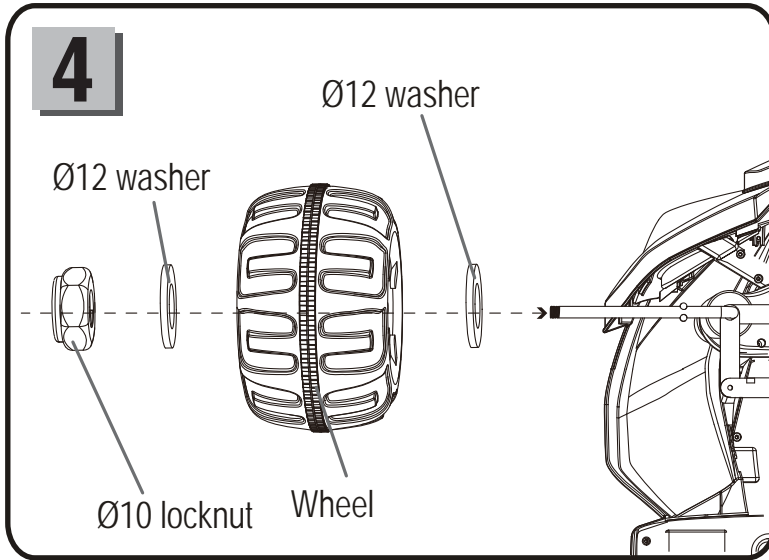
HINT: Finish assembling the wheel on other side of rear axle, tighten the locknuts on both sides of rear axle with two spanners. **DO NOT** over-tighten.

1WD

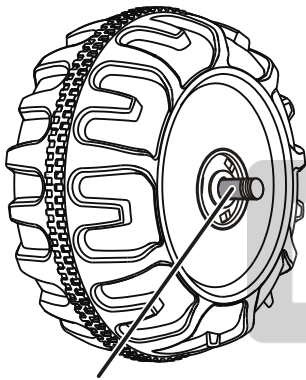
- Fit the driving wheel onto the rear axle. Make it match with the gear box.
- Fit a Ø12 washer onto the rear axle.
- Fit a Ø10 locknut to the end of the rear axle.
- Repeat this procedure to assemble the other driving wheel to rear axle.
- Tighten the locknuts on both sides of rear axle with two spanners. **DO NOT** over-tighten.

2WD

ASSEMBLY STEPS



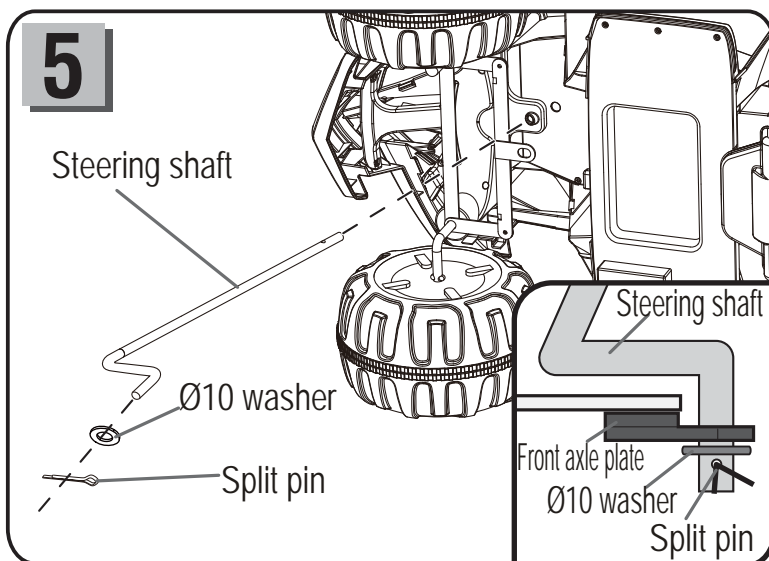
- Remove a Ø10 locknut and a Ø12 washer from the front axle. And leave over a Ø12 washer.
- Fit a wheel onto the front axle.
- Fit a Ø12 washer onto the front axle.
- Fit a Ø12 locknut to the end of the front axle. And tighten with a spanner, DO NOT over-tighten.
- Repeat this procedure to assemble the other wheel(s).



GAP

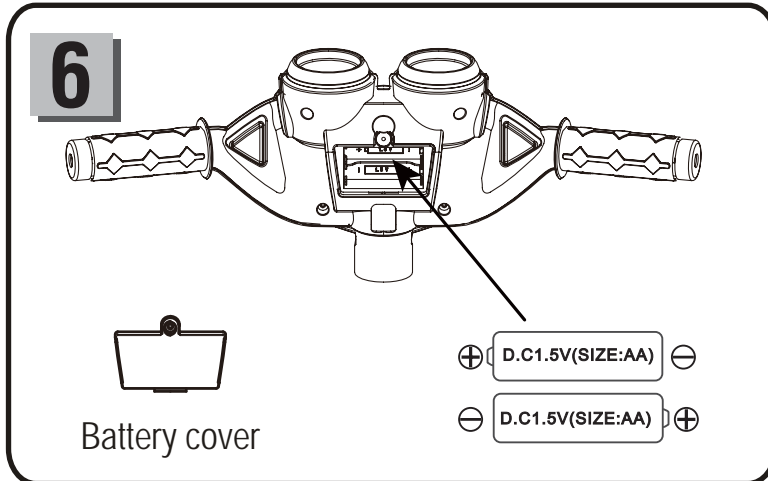
IMPORTANT SUPPLEMENT TO INSTRUCTION MANUAL

After assembling any wheel to the axles, please check the gap between the screw thread and the collapsible (refer to below picture), if the gap is too big, please add two or three washers inside the wheel, But after tightening the nut outside the wheel, please turn the wheel by your finger to check if the wheel can run smoothly, this is very important, because if the wheel can run smoothly, it is ok, but if the nut press the wheel and the wheel can't run smoothly, the motor will be broken easily! Then you need to decrease one or two washers to make sure the wheel can run smoothly!



- Turn the vehicle body on its side.
- Insert the straight end of the steering shaft up through the hole in the vehicle body.
- Insert the bent end of the steering shaft through the hole in the front axle plate. Fit a Ø10 washer onto the steering shaft, and insert a split pin through the hole in the steering shaft. Bend the ends of the split pin back using a pair of pliers.

ASSEMBLY STEPS



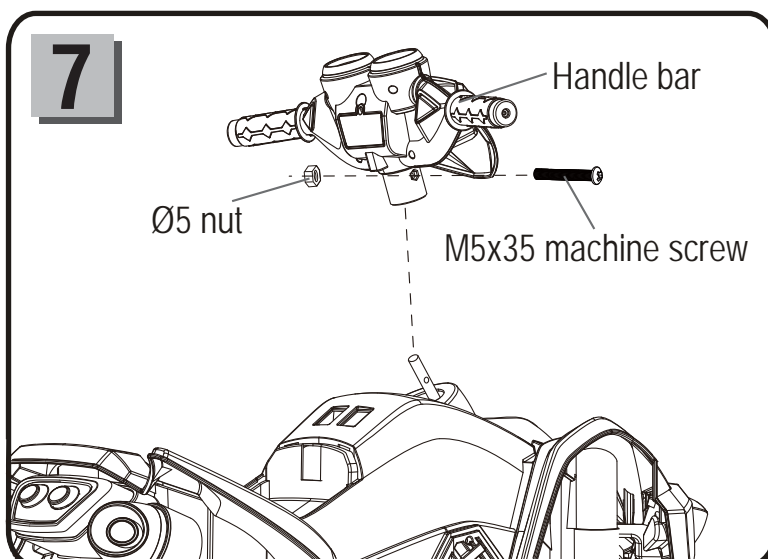
- Remove the screw in the battery cover on the back of the handle bar with a screwdriver and lift to open.
- Insert two "AA" (LR6) alkaline batteries into the handle bar.
- Replace the battery cover.

NOTE: The products does not included "AA" (LR6) alkaline batteries.

BATTERY INFORMATION

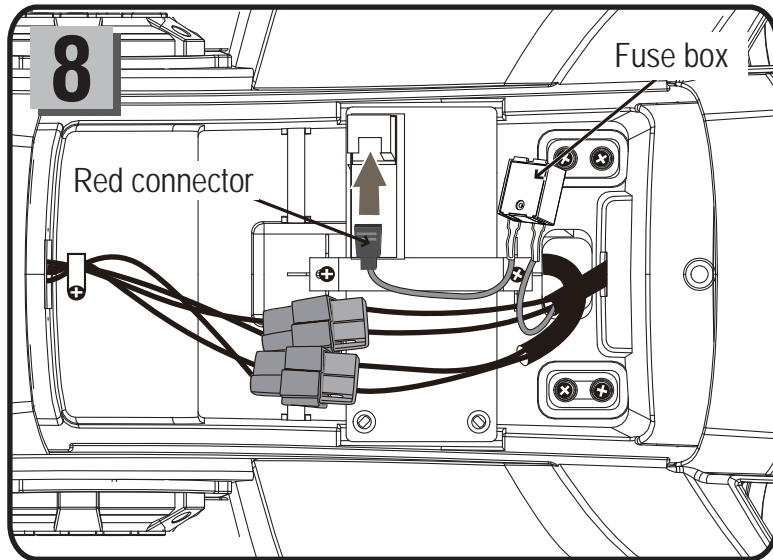
Batteries may leak fluids that can cause chemical burn injury or ruin your product. To avoid battery leakage:

- Do not mix old and new batteries.
- Do not mix different types of batteries: alkaline, standard (carbon-zinc) or rechargeable (nickel-cadmium). Insert batteries as indicated inside the battery compartment.
- Remove batteries during long periods of non-use. Always remove exhausted batteries from the product. Battery leakage and corrosion can damage this product. Dispose of batteries safely.
- Do not dispose of batteries in a fire. The batteries may explode or leak.
- Never short circuit the battery terminals.
- Non-rechargeable batteries are not to be recharged.
- Use only batteries of the same or equivalent type as recommended.
- If removable rechargeable batteries are used, they are only to be charged under adult supervision.
- Remove rechargeable batteries from the product before charging.
- Battery chargers used with toys must be examined regularly for damage to the cord, plug, enclosure and other parts. In the event that such damage is found, the toy must not be used with the battery charger until the damage has been repaired.
- When sound becomes faint or stops, it's time to replace the batteries.

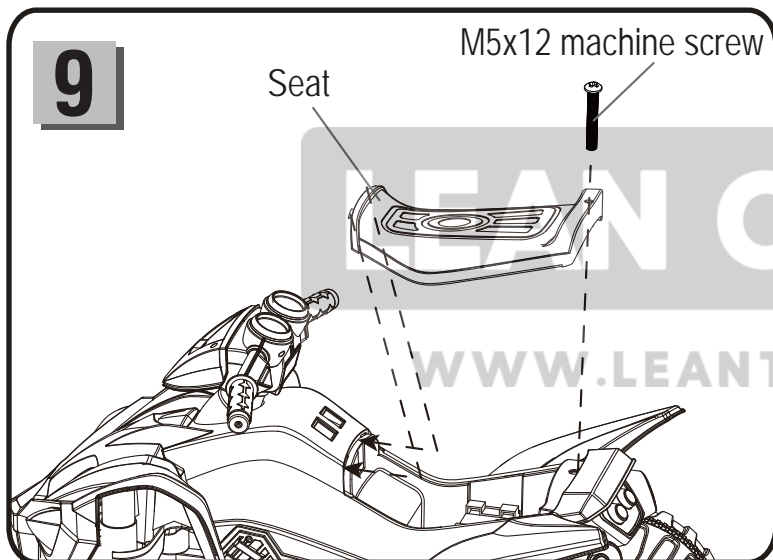


- Turn the vehicle body over.
- Remove the M5x35 machine screw and Ø5 nut from the handle bar.
- Insert the handle bar to the end of the steering shaft. Line up the holes in the handle bar with the hole in the steering shaft. Tighten the M5x35 machine screw and Ø5 nut back in the same location with a screwdriver.

ASSEMBLY STEPS



- Locate the red connector and plug it into the terminal on battery.



- Insert the tabs on the seat into the slots in the vehicle body, and tighten a M5x12 machine screw to secure it with a screwdriver.

HOW TO OPERATE YOUR VEHICLE

WARNING!

PREVENT INJURIES AND DEATHS:

- **NEVER LEAVE CHILD UNATTENDED. DIRECT ADULT SUPERVISION IS REQUIRED.** Always keep child in view when child is in vehicle.
- Never use in roadways, near cars, on or near steep inclines or steps, swimming pools or other bodies of water.
- Always wear shoes.
- Always sit on the seat.
- Suitable for age 37~96 months; Maximum user weight is 30kgs.

Must confirm before using that following work which is already finished:

- **Important!** Before using the vehicle for the first time, the battery needs to be charged for 4 to 6 hours, no more than 10 hours. Only an adult can charge or recharge the battery.
- Make sure all places with the screw has already been locked.

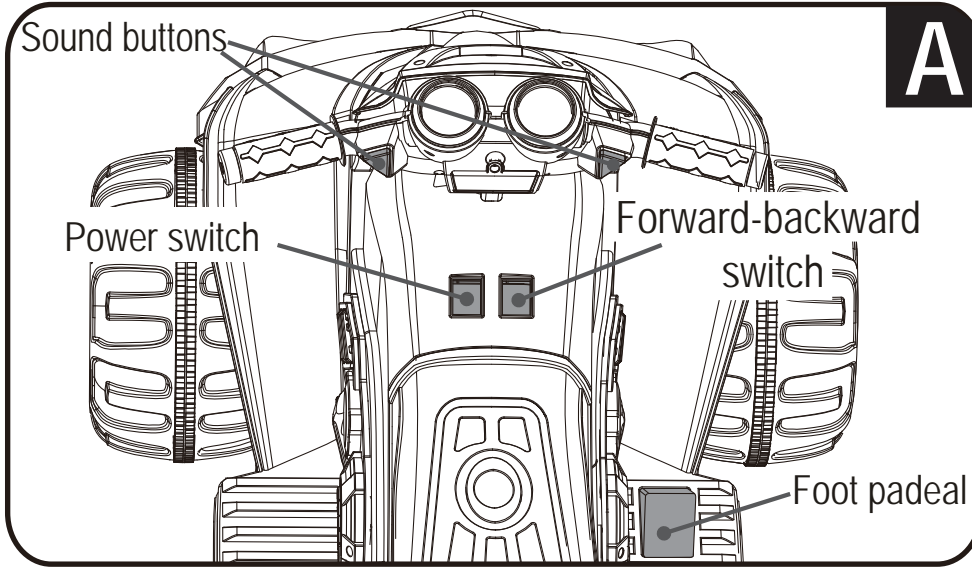
Rules for Safe Riding

READ THESE RULES ALOUD TO YOUR CHILD AND THEIR PLAYMATES AND MAKE SURE THEY UNDERSTAND THEM!

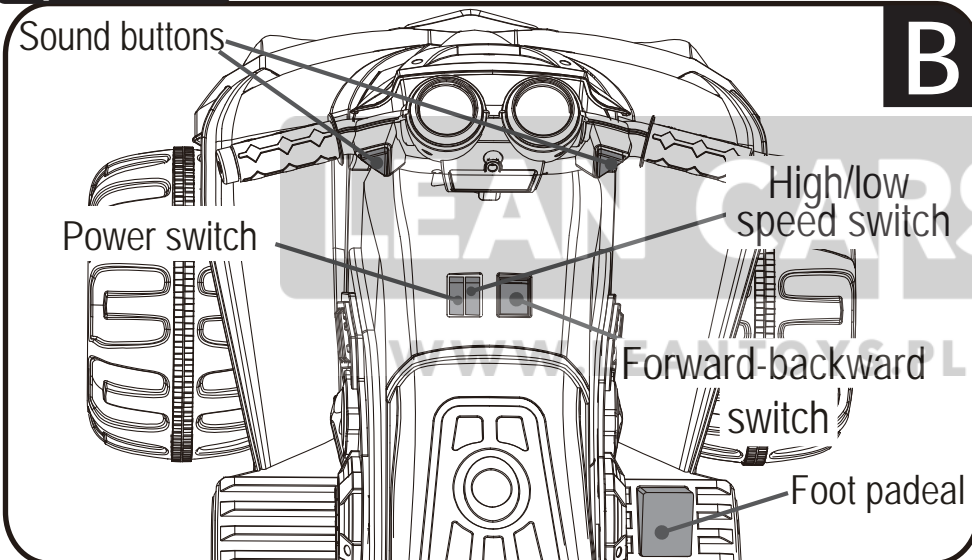
- Always wear a helmet when riding.
- Direct Adult Supervision Required.
- Keep Children within Safe Riding Areas:
- Never use in roadway, near motor vehicles, on lawn space, on or near steep inclines or steps, swimming pools or other bodies of water;
- Use the toy only on flat surfaces. such as inside your house, garden or playground.
- Never use in the dark. A child could encounter unexpected obstacles and have an accident. Operate the vehicle only in the daytime or a well-lit area.
- It is not recommended to drive the vehicle on wet surfaces or on lopes of greater than 15 degrees.
- Do not use this vehicle outdoors when it is raining or snowing.
- Make sure you come to a complete stop before changing directions from forward to back.
- Please follow the correct weight and age limits allowed to drive this vehicle.
- It is prohibited to change the circuit or add other electric parts
- Inspect wires and connections of the vehicle periodically.
- In order to avoid accidents, please ensure the vehicle is safe before riding.
- Do not let any child touch the wheels or be near them when the car is moving .

HOW TO OPERATE YOUR VEHICLE

Use Operation(Ensure the power switch has been turned on)



H/L SPEED



ADVANCED USE - High speed Drive

Make sure your child knows how to steer, how to start and stop the vehicle and knows the rules for safe driving. The vehicle can be driven at a maximum of 3~5 km/h.

FORWARD

1. Press the "Forward-backward switch" on the "Forward" position.
2. Press the "Foot pedal", the vehicle drives forward.

STOP

The vehicle will brake automatically, when your child's foot remove from the "Foot pedal".

REVERSE

1. Press the "Forward-backward switch" on the "Backward" position.
2. Press the "Foot pedal", the vehicle drives backward.

SOUNDS BUTTON

Press the buttons on the handle bar for sound playing.

IMPORTANT!

Always stop vehicle when changing the speed or direction to avoid damage the gears and motor.

CHARGING YOUR VEHICLE

ONLY AN ADULT CAN CHARGE AND RECHARGE THE BATTERY!

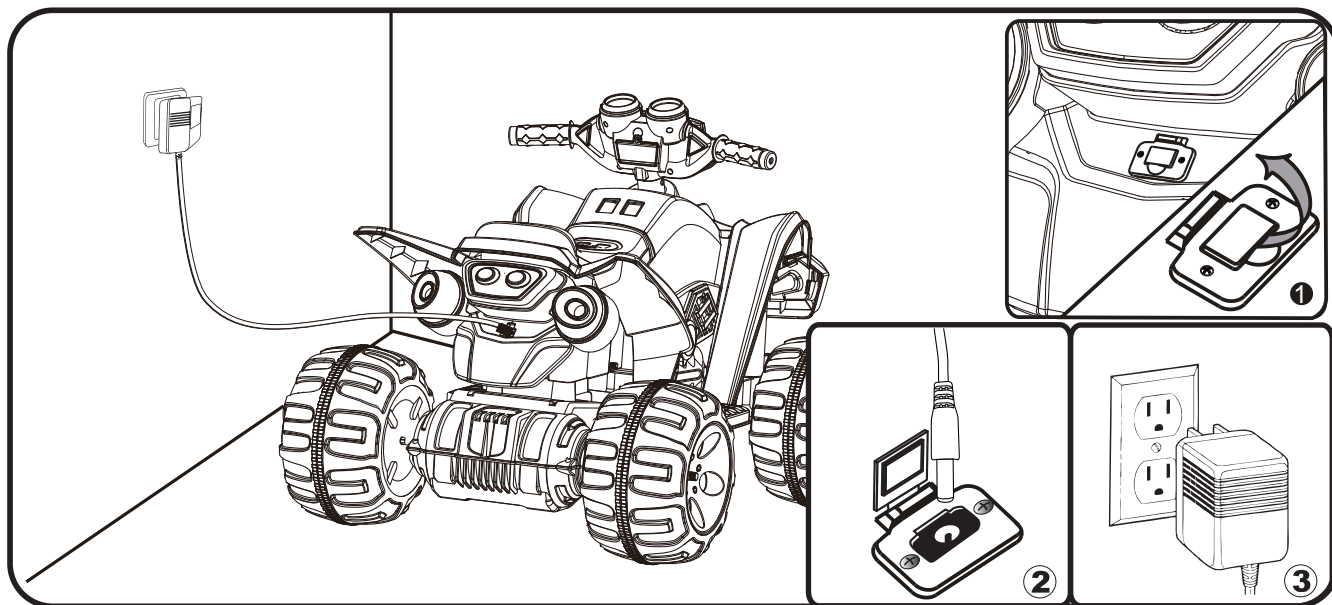
WARNING!

• **PREVENT FIRE AND ELECTRIC SHOCK:**

- Use the only rechargeable battery and charger supplied with your vehicle. NEVER substitute the battery or the charger with another brand. Using another battery or charger may cause a fire or explosion.
- Do not use the battery or charger for any other product. Overheating, fire or explosion could occur.
- NEVER modify the electric circuit system. Tampering with the electric system may cause a shock, fire or explosion or may permanently damage the system.
- Do not allow direct contact between battery terminals. Fire or explosion can occur.
- Do not allow any type of liquid on the battery or its components.
- Explosive gasses are created during charging. Do not charge near heat or flammable materials. Charge the battery in a well-ventilated area ONLY.
- NEVER pick up the battery by the wires or charger. Damage can occur to the battery and may cause a fire. Pick up the battery by the case ONLY.
- Charge the battery in a dry area ONLY.
- Battery posts, terminals and related accessories contain lead and lead compounds, chemicals known to the State of California to cause cancer and reproductive harm. **Wash hands after handling.**
- Do not open the battery. Battery contains lead acid and other materials that are toxic and corrosive.
- Do not open the charger. Exposed wiring and circuitry inside case may cause electric shock. Only adults may handle or charge the battery. NEVER allow child to handle or charge the battery. Battery is heavy and contains lead acid (electrolyte).
- Do not drop the battery. Permanent damage to the battery could occur or cause serious injury.
- Before charging the battery, check for wear or damage to the battery, charger, its supply cord and the connectors. DO NOT charge the battery if any damage to parts has occurred.
- Do not allow the battery to drain completely. Recharge the battery after each use or once a month if not used regularly.
- Do not charge battery upside down.
- Always secure the battery with the bracket. Battery can fall out and injure a child if vehicle tips over.

- The charging input socket is UNDER THE SEAT.
- The **POWER SWITCH** must be turned in **OFF** position when charging.
- Before the first use, you should charge the battery for 4-6 hours. Do not recharge the battery for more than 10 hours to avoid overheating the charger.
- When the vehicle begins to run slowly, recharge the battery.
- After each use or once a month minimum recharge time as 8 to 12 hours, less than 20 hours at most.

CHARGING YOUR VEHICLE



1. Open the cover of the socket (the socket is at the rear of the vehicle)
2. Plug the charger port into the input socket.
3. Plug the charger plug into a wall outlet. The battery will begin charging.



WARNING!

This product with CHARGING PROTECTION: When charging, all the functions will be cut off!

TROUBLESHOOTING GUIDE

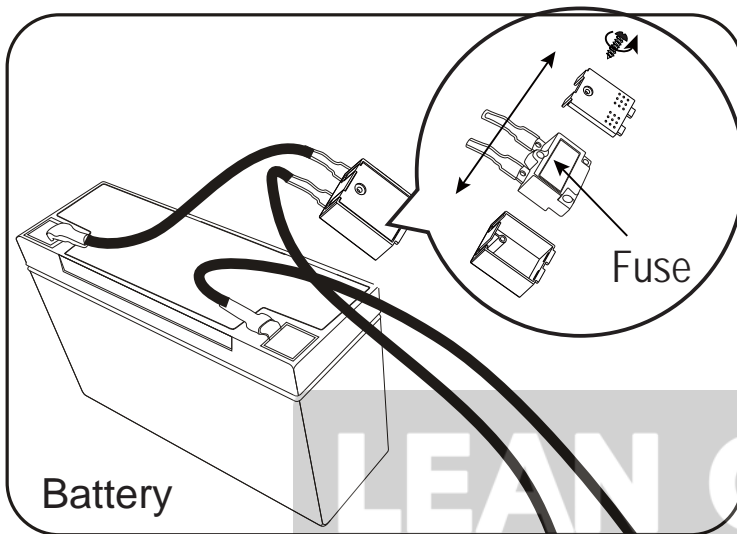
■ PROBLEM: The vehicle does not run

PROBLEM CAUSE: The battery may low on power.

After each use, or once a month minimum, charge the battery for a full 10 hours. Do not leave the battery on the charger for more than 20 hours.

POSSIBLE CAUSE: Thermal fuse has tripped.

The vehicle is equipped with a self-resetting fuse. When the vehicle is overloaded or operated incorrectly; the self-resetting fuse will be cut off for 5-20seconds before becoming operational again. The self-resetting fuse is under the seat (Refer to the picture.)



To avoid the fuse cut off the power, follow these guidelines:

DO NOT overload the vehicle, Maximum weight allowed :30kg

DO NOT tow anything behind the vehicle.

DO NOT drive up steep slopes.

DO NOT drive into fixed objects, which may cause the wheels to spin, causing the motor to overheat.

DO NOT drive in very hot weather, components may overheat.

DO NOT tamper with the electric system, Doing so may create a short circuit, causing the fuse to trip.

POSSIBLE CAUSE: Wheel nuts are loose.

If the nuts are not tight, the wheels will not engage the forward gears. Tighten the nut with the nut wrench.

POSSIBLE CAUSE: Battery connector or wires are loose.

Make Sure the battery connectors are firmly plugged in to each other.

POSSIBLE CAUSE: Battery is dead.

Have you properly maintained the battery according to the directions? Is the battery old? Your battery may need to be replaced.

POSSIBLE CAUSE: Electric system is damaged.

Water may have corroded the system, or loose dirt, gravel or sand might have jammed the switch.

POSSIBLE CAUSE: Motor is damaged.

The motor needs professional repair.

■ PROBLEM: The battery will not recharge.

POSSIBLE CAUSE: Battery connector or adapter connector is loose.

Make sure the battery connector and adapter connector are firmly plugged together.

POSSIBLE CAUSE: Charger is not plugged in.

Make sure the charger is plugged into the wall outlet and the power flow to the outlet is on.

POSSIBLE CAUSE: Charger is not working.

Is the charger warm while charging? If not, the charger may

TROUBLESHOOTING GUIDE

■ PROBLEM: The vehicle does not run very long.

POSSIBLE CAUSE: Battery may be undercharged.

You may not be charging the battery long enough. After each use, or once a month minimum, charge the battery for 8 to 10 hours. Do not leave the battery on the charger for more than 20 hours.

POSSIBLE CAUSE: Battery is old.

The battery will eventually lose the ability to hold a charge. Depending on the amount of use, and varying conditions, the battery should operate for one to three years. Replace the battery with a new one.

■ PROBLEM: Battery buzzes or gurgles when charging.

This is normal and not a cause for concern. It may also be silent when charging, which is also normal.

■ PROBLEM: Charger feels warm when recharging battery.

This is normal and not a cause for concern.

MAINTAINING YOUR VEHICLE

- It is parents' responsibility to check main parts of the toy before using. Must regularly examine for potential hazard, such as the battery, charge cable or cord, plug, screws are fastening enclosure of other parts and that in the event of such damage, the toy must not be until that damage had been properly removed.
- Make sure the plastic parts of the vehicle are not cracked or broken.
- Occasionally use a lightweight oil to lubricate moving parts such as wheels.
- Park the vehicle indoors or cover it with a tarp to protect it from wet weather.
- Keep the vehicle away from sources of heat, such as stoves and heaters. Plastic parts may melt.
- Recharge the battery after each use. Only an adult can handle the battery. Recharge the battery at least once a month when the vehicle Raider is not being used.
- Do not wash the vehicle with a hose. Do not wash the vehicle with soap and water. Do not drive the vehicle in rainy or snowy weather. Water will damage the motor, electric system and battery.
- Clean the vehicle with a soft, dry cloth. To restore shine to plastic parts, use a non-wax furniture polish. Do not use car wax. Do not use abrasive cleaners.
- Do not drive the vehicle in loose dirt, sand or fine gravel which could damage moving parts, motors or the electric system.
- When not using, all the electrical source should be turn off. Turn off the power switch and disconnect the battery connection.

DISPOSAL OF BATTERY

Disposal Of Battery



- Your sealed lead-acid battery must be recycled or disposed of in an environmentally sound manner.
- Do not dispose of your lead-acid battery in a fire. The battery may explode or leak.
- Do not dispose of a lead-acid battery in your regular, household trash. The incineration, land filling or mixing of sealed lead-acid batteries with household trash is prohibited by law.
- Return an exhausted battery to your local approved lead-acid battery recycle, such as a local seller of automotive batteries.
- Contact your local waste management officials for other information regarding the environmentally sound recycling and disposal of lead-acid batteries.

LEAN CARS

WWW.LEANTOYS.PL

Our products are suitable for
ASTM F963; GB6675; EN71 and EN62115 standard.