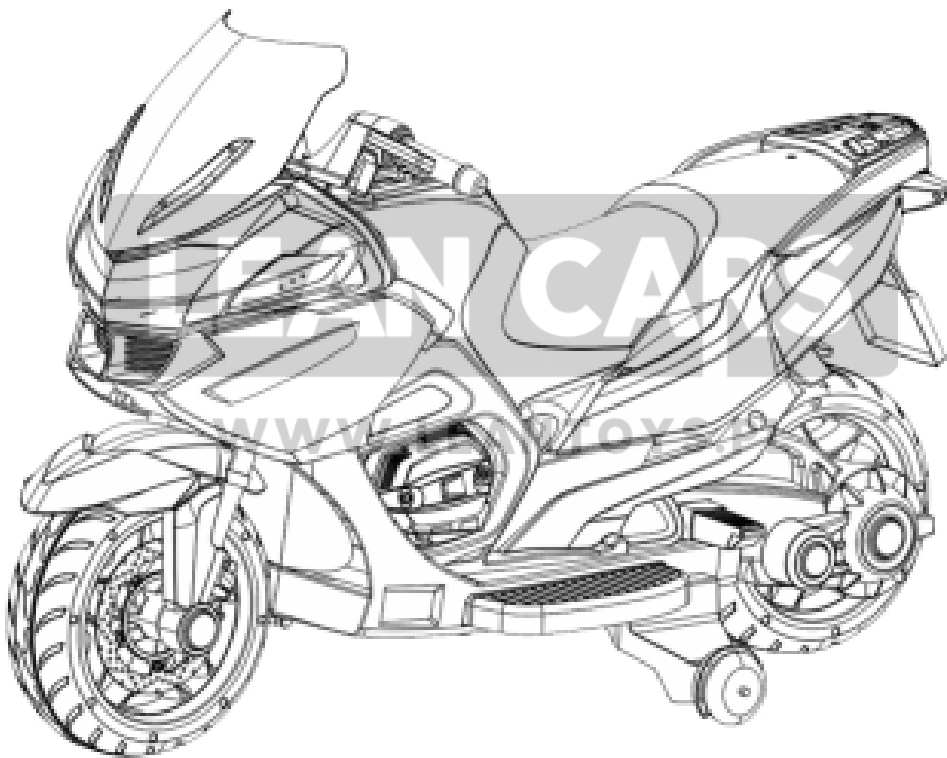


Owner's Manual

HZB-118

Suitable for: 37-96 months

- . Key for power start
- . Music function
- . USB socket and SD card socket (for selection)
- . Rear tool case (for selection)



Thank you for choosing our children's electrical vehicle.

Please read the instruction before using this product. It will tell you the right operation way and assembly steps, in order to avoid injury to your children and prevent the product from the wrong operation way.

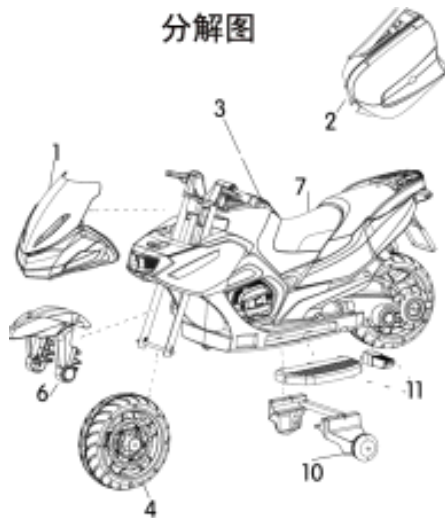
The packaging must be retained since it contains important information.

- SPECIFICATION

Age for:	37-95months	Max weight capacity:	30kgs
Battery:	6V 7AH / 12V 7AH	Vehicle size:	120*60*65cm
Charge time:	8-12 hours	Speed:	3 km/h
Charger:	Input: According to local voltage; Output: DC6V 700MA or 12V 1000MA		
Motor:	6V 35W*1 OR 12V 35W*2		

- PARTS LIST

NO.	PARTS NAME	QTY	REMARK
1	Vehicle head	1 pc	
2	Tool case	2 pcs	For selection
3	Vehicle body	1 pc	
4	Front Wheel	1 pc	
5	Charger	1 pc	
6	Decoration parts on front wheel	1 pc	
7	Seat	1 pc	
8	Manual	1 pc	
9	Accessories bag	1 pc	
10	Rear assistant wheels	2 pcs	
11	Pedal	2 sets	



分解图: Diagram

- USE WARNING

Make sure below preparing work done before use :

. IMPORTANT! Charge the vehicle at least for 12 hours before the first use, and the charge can only be done by the adults.

. Assembly the whole vehicle according to the manual instruction, connect the batteries terminals to make the power open.

. Make sure all the screws at the right position and tighten well.

- SAFE WARNING

For the safety of your children, please pay attention to following warnings, read and tell your children and their friend, make sure they understand these rules!

. Make sure use the vehicle in safety places, such as in home, garden and playground.

. Drive the vehicle on the smooth floor, in order to make sure child's safety, please not ride it at any dangerous area as below:

- Groove or hollow, river, glassground, slope and other unsmooth ground;
- Road, highway or other vehicle use or warlkers use places;

- With obstacle which may be impacted to cause injury;
 - Other dangerous places.
- . Never ride the vehicle in dark, children may can't treat the suddenly obstacle or accident, only use it in daytime and bright area.
- . Never use it in rain or snow area.
- . Make sure the vehicle is stop moving when change the speed and direction.
- . Make sure the user's age is suitable for our product and not over the maximum weight. This vehicle is suitable for 37 to 96 moths and the maximum capacity is 25kgs.
- . Warning. Never change the vehicle's parts or circuit by yourself and without manufacturer's instruction.
- . Please check the vehicle constantly of the circuit and make sure it in good condition.
- . Please keep the children away from the moving vehicle and never let the child touch the moving wheels.
- . There is a safety belt for this product, please tight it when use to ensure the safety.

⚠ WARNING

The toy is to be assembled by an adult



Warning:
Not suitable for children under 36 months.
Small parts. Choking hazard.

- .There are some small parts for assembly, please keep small parts far away from children that 3 years old and below to prevent injury.
- .Check all the parts before assembly, to avoid injuring the children, please keep the plastic packing materials far away from children.
- . Put 2 pieces of AAA battery in the remote control, all the batteries should be insert with correct polarities. Please change the batteries when the power is use off.
- . Children should use the product under the guide of adult. The adult should not absent while children is using.
- . Battery should be charged by adult, please charge the battery before use.
- . Waring: Not to be used in traffic.
- . A recommendation for adult supervision of young children;
- . The toy should be used with caution since skill is required to avoid falls or collisions

causing injury to the user or third parties.

. Check the battery before use, once found leakage please stop use and replace the battery.

. Warning. Protective equipment should be worn. Always wear shoes when riding.

. Warning. Only for domestic use.

. The toy must only be used with the recommended transformer.

. The transformer is not a toy.

. Disconnect toy from the transformer before cleaning the toy with liquid.

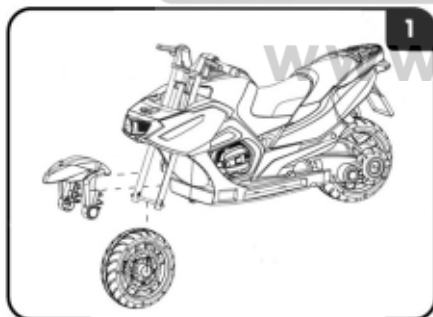
. Don't ride on the vehicle during charging.

. Please regularly check the product to ensure the battery, charger, wire plugs, shells and other components are not damaged.

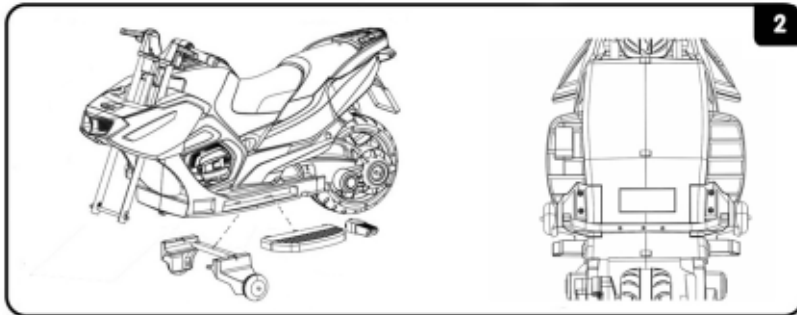
. If you have discovered any damages mentioned above, stop using until it is repaired.

- ASSEMBLY STEPS

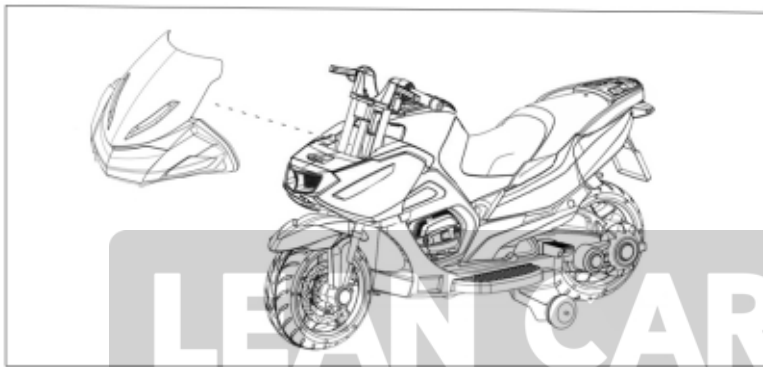
LEAN CARS



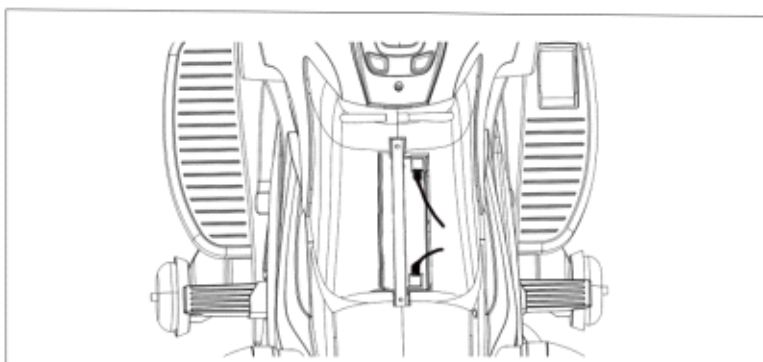
- Remove the front axle from the front fork, assembly the fender.
- Insert the front axle through front fork, front wheel and fender tube, make them fit well.
- Cover the both end of the front axle by a little metal cap.



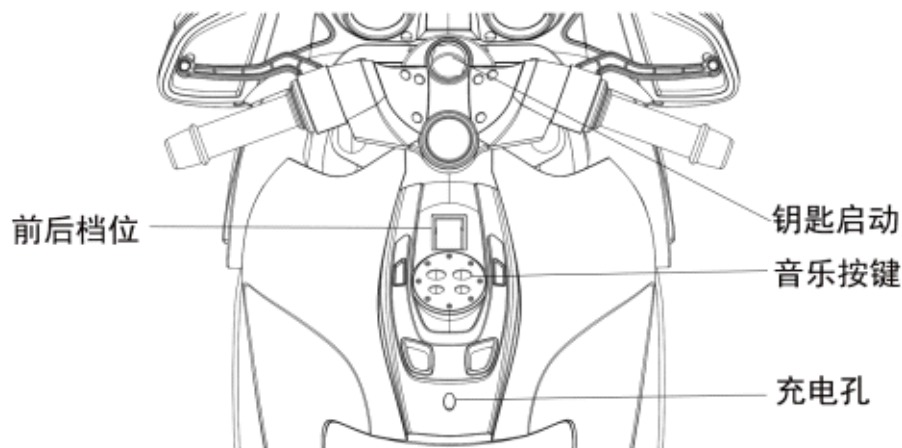
- Turn over the vehicle body, assembly the pedal and connect the wire to pedal switch.
- Fix the metal support of assistant wheels onto vehicle body.
- Assembly the assistant wheels onto the pedal.



- Connect the wire terminals of the vehicle body and head.
- Insert the vehicle head into the right position of the body and make sure all the grooves fit well.
- Put the handlebar tubes onto the handlebar and fix them.



- Connect the wire plugs to the battery terminals before assembly the seat. (Notice: The red wire must be connected to the positive pole terminal of the battery, while the black wire must be connected to the negative pole.)
- Assembly the seat and fix it by 4.12 self-tapping screw.



前后档位: Forward/backward

钥匙启动: Key for power start

音乐按键: Music button

充电孔: Charge socket

LEAN CARS

WARNING OF BATTERY

WWW.LEANTOYS.PL

. Prevent fir accident and electric shock:

Failure to comply with the following safety warnings may result in serious injury or death.

- Use of a battery or charger other than the supplied 6V rechargeable battery and charger may cause a fire or explosion.
- Using the 6V rechargeable battery and charger for any other product may result in overheating, fire or explosion.
- Explosive gases are created during charging. Charge the battery in a well ventilated area. Do not charge the battery near heat or flammable materials.
- Contact between the positive and negative terminals may result in fire or explosion. Avoid direct contact between the terminals. Picking up the battery by the wires or charger can cause damage to the battery and may result in a fire. Always pick up the battery by it's case or handles.
- Liquids on the battery may cause fire or electric shock. Always keep all liquids away from the battery and keep the battery dry.
- Contact or exposure to battery leakage (lead acid) may cause serious injury. If contact or exposure occurs immediately call your physician. If the chemical

is on the skin or in the eyes, flush with cool water for 15 minutes. If the chemical was swallowed, immediately give the person water or milk. Do not give water or milk if the patient is vomiting or has a decreased level of alertness. Do not induce vomiting.

- Battery posts, terminals and related accessories contain lead and lead compounds (acid), chemicals to cause cancer, reproductive harm and are toxic and corrosive. Never open the battery.
- Tampering or modifying the electric circuit system may cause a shock, fire or explosion and permanently damage the system. Exposed wiring, circuitry in the charger may cause electric shock. Always keep the charger housing closed.

WARNING OF CHARGING

1. **Important!** Before using the vehicle for the first time the battery needs to be charged for 16 hours. Failure to do so may damage the battery and can't be repaired.
2. Insert the charger plug into charge hole on vehicle body first, then connect the other end with power supply.
3. Charge the vehicle when each use after 1hour, normal charging time is 10 to 12 hours.
4. Each charge no more than 18 hours.
5. Only an adult who has read and understands the safety warnings should handle, charge or recharge of the battery.
6. If the vehicle won't use for a long time, it need to be charged at least once per month.
7. The charger and the battery may be a little heating-up, it will be acceptable if the temperature less than 60°C.
8. The charging hole and jack can't be damp or it may cause short-circuit.
9. Only charge the vehicle by proprietary charger which sell with the product.
10. **Note:** It is not necessary to remove the battery from the vehicle for charging.

• Troubleshooting Guide

Problem	Possible Cause	Remedy
Motor does not work	Pedal switch not connect well.	Repair the pedal switch.
	The terminal and wire on motor loose	Connect the wire and terminal
	The plug for motor and battery not connected well	Reconnect the plug
	The motor is damaged.	Replace the motor

Vehicle can go forward but can't backward	The forward/backward switch not connected well.	Replace the switch.
	The wire connect forward/backward and battery loose	Reconnect the wire
The speed is slow	The battery with low power	Charge the vehicle
	The gear not fit well in the motor	Change the motor
The vehicle can't be charged	The charger is damaged (if the output terminal of charger tested no voltage)	Change the charger
	The battery is damaged (connect the charger and check the terminals on battery, there is a voltage of 6.8-8.0v)	Change the battery
	The charge socket not connected well or the welding spot loose	Tighten the socket or reweld the wires
The vehicle can move but no sound and lights	The button for music and lights is damaged.	Replace the buttons.
	The wire from battery not connect the vehicle head plug well	Reconnect them.
Motor works while the vehicle can't move	The motor loose from the gear box	Open the gear box and tighten the screws to fix the motor.
	The gear in gear box damaged.	Change a new gear box.
The vehicle moves but not smooth	The user weight is over 30kg.	No need mend..
	The vehicle moves on uneven surface.	No need mend. Just ride the vehicle on smooth surface.
	The wheels or axle seized up by something.	Check the wheels and axle, remove the debris.
	The battery with low power.	Charge the vehicle in time.
The vehicle can't stop	The pedal can't rebound when remove the foot.	Check the pedal switch, remove the debris. If damaged, change a new switch.

WWW.LEANTOYS.PL

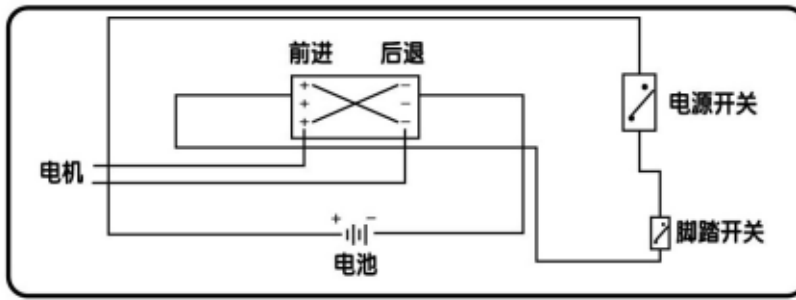
• Maintenance

The vehicle should be checked for damage, missing or badly worn parts before each use.

- Check the tightness of the fasteners before each use.
- Check the tightness of the wheel locknuts.

Note: If the wheel locknuts are not tight the drive wheel will not engage and the vehicle will not run.

- Ensure the battery is securely in place before use.
- Occasionally use lightweight oil to lubricate moving parts such as wheels and steering linkage. Do not use oil on plastic or nylon parts. No lubrication is required.
- Store the vehicle indoors or cover it with a tarp to protect it from the wet weather. Keep it away from sources of heat, such as stoves and heaters.
- Clean the vehicle with a soft, dry cloth. To restore shine to plastic parts, use a non-wax furniture polish. Do not use car wax, abrasive cleaners or wash the vehicle with soap and water. Water will damage the motor, electrical system and battery.



H. Circuit of the product

前进: Forward

后退: Backward

电机: Motor

电池: Battery

电源开关: Power switch

脚踏开关: Pedal switch

DISCLAIMER: The wires, structure and function can't be modified without manufacturer's permission, or the manufacturer won't responsible for the problems caused by any private changes.

LEAN CARS

WWW.LEANTOYS.PL