

Safety warnings

1. Battery should only be charged by an adult.
2. Children should always be supervised when riding.
3. Product should only be assembled by an adult.
4. Car should not be ridden at night, near or around swimming pools, steep slopes or near any public roads.
5. Always ensure that product is stationary before switching from forward to reverse.
6. To avoid suffocation, keep all bags away from children. Please dispose of all plastic bags immediately.
7. Car should only be washed with a clean damp cloth.
8. Car should never be used in wet weather.
9. It is advisable to protect car from weather conditions when not in use.
Do not leave outside.
10. Never allow more than 2 riders at a time.
11. Always wear a helmet and protective clothing when riding.

Our products are suitable for the following standard:

- GB6675, GB19865
- ASTM-F963, CPSIA
- EN71 AND EN62115

FOR CHILDREN 3+
(WEIGHT LIMIT 50KG) **3+**



12 Volt RC Ride-On Car

Owners Manual with Assembly Instructions

LEAN CARS

WWW.LEANTOYS.PL

Battery safety information

Disposal Of Battery

Disposal Of Battery

- Your sealed lead-acid battery must be recycled or disposed of in an environmentally friendly way, in compliance with local laws and regulations
- Do not dispose of your lead-acid battery in a fire. The battery may explode or leak.
- Do not dispose of a lead-acid battery in your regular, household trash. The incineration, land filling or mixing of sealed lead-acid batteries with household trash is prohibited by law.
- Return an exhausted battery to your local approved lead-acid battery recycler, such as a local seller of automotive batteries.
- Contact your local waste management officials for other information regarding disposal of lead-acid batteries.

Charging tips

1. Charging of battery should always be performed by an adult.
2. Never completely discharge battery as this will decrease battery life.
3. It is quite normal for battery and charger to become very warm during charging cycle. Never charge battery while still warm after use.
4. To ensure proper life span of your battery while car is in storage, it is strongly advised to charge battery fully every 90 days (30 days during cold weather temperatures).

Trouble Shooting Guide

Car will not run of all.

Check all electrical connections and ensure there is no damage.

Car is running slower than normal.

Stop using the toy and recharge battery.

⚠ WARNING!

- To reduce the risk of injury, adult supervision is required. Never use in roadways, near motor vehicles, on or near steep inclines or steps, swimming pools or other bodies of water. Always wear shoes and a helmet.
- Never allow more than 2 riders.
- **TO PREVENT FIRE AND ELECTRIC SHOCK:**
 - Only use battery and charger provided and specified by manufacturer. Use of the wrong type of battery for charger could cause a fire or explosion.
 - **DO NOT** use the battery or charger for any other product. Overheating, fire or explosion could occur.
 - **NEVER** modify the electric circuit system. Alterations could cause a shock, fire or explosion.
 - **DO NOT** allow any type of liquid on the battery or its components. Explosive gases are created during charging. **DO NOT** charge near heat or flammable materials. Charge in a well ventilated area **ONLY**. Charge the battery in a dry area **ONLY**.
 - **DO NOT** open the battery. Battery contains lead acid and other materials that are toxic and corrosive.
 - **DO NOT** open the charger. Exposed wiring and circuitry inside case may cause electric shock.
 - **ONLY ADULTS** may handle or charge the battery. **NEVER** allow child to handle or charge the battery. Battery is heavy and contains lead acid (electrolyte).
 - **DO NOT** drop the battery. Permanent damage to the battery could occur or cause serious injury.
 - Before charging the battery, check for wear or damage to the battery, charger and the connectors. **DO NOT** charge the battery if any damage to parts has occurred. Replace with manufacturer's parts **ONLY**.
 - **DO NOT** allow the battery to drain completely; recharge the battery after each use or once a month if not used regularly.
 - **DO NOT** charge battery upside down.
 - Always secure the battery with the bracket. Battery can fall out and injure a child if the vehicle tips over. Risk of fire. Do not bypass.
 - **If a battery leak develops**, avoid contact with the leaking acid and place the damaged battery in a plastic bag. See information in "Disposal of Battery" for proper disposal.
 - **If acid comes in contact with skin or eyes**, flush with cool water for at least 15 minutes and call a physician.
 - **If acid is internally ingested**, give water, milk of magnesia or egg-white immediately. Never give emetics or induce vomiting. Call a physician.

Component List

NO.	Name of spare parts	QTY	NO.	Name of spare parts	QTY
1	Car Body	1	23	parental remote	1
2	steering frame permanent seat	2	24	wrench	2
3	Front prop sheet iron	2	25	front bumper decoration	1
4	steering frame	1	26	front bumper light	2
5	deflecting bar	1	27	front bumper	1
6	steering wheel	1	28	front fender	2
7	front wheel	2	29	running board	2
8	trailing wheel	2	30	rear fender	2
9	gearbox	2	31	rear bumper	1
10	Seat	1			
11	Trunk base	1	A	wheel center cap	4
12	Trunk lid	1	B	M10 lock nut	4
13	rear bar support	2	C	12mm washers	6
14	rear top bar	1	D	wheel lock	4
15	rear top bar light	2	E	Trunk fix stopper	1
16	wind shield	1	F	Seat's latch	2
17	Rear view mirror	2			
18	Hand Rail	1		tapping flat head screw :	
19	Rear axle assembly	1		4mm*10mm	8
20	5mm*35mm steering fixing bolt	1		4mm*12mm	37
21	M5 locknut	1		4mm*16mm	28
22	battery Charger	1			

OPERATING FEATURES

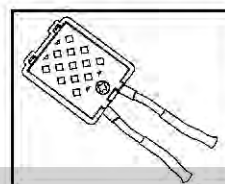
Your car is fitted with 2 gearboxes containing 2 forward speeds and 2 reverse speed. The operating speed of your car can be controlled by the middle gear lever. Pushing it all the way forward will engage forward speed on high speed. Central position of gear lever will engage forward speed at low speed. Pushing your gear lever all the way back will operate reverse gear in low speed.

Your ride-on car is equipped with **ON/OFF** switch located on dashboard. Switch must be in the on position to activate drive. In order to start your car, push gear lever forward into high speed position and place your foot onto the accelerator.

To stop your car, simply release your foot from the accelerator and this will engage the auto brake system.

Your car is not fitted with a manually operated brake.

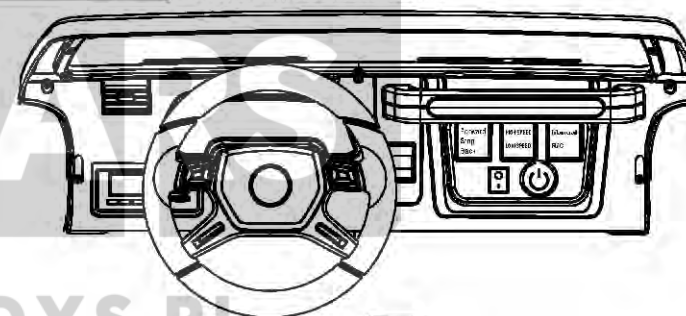
Your car has a large turning radius. To ensure unwanted collisions with obstacles, it is recommended that you drive your car in a wide open area until you get fully used to its handling and steering capabilities.



Thermal Fuse

Your car is fitted with a thermal overload fuse.

The function of this component is to protect the electrical circuit of your product. If the product is overloaded (refer to maximum user weight) or is used on a steep incline (not recommended) the thermal fuse will cut power supply to the motors and vehicle will stop. Thermal fuse will reset within 2 minutes and product function will resume as normal.



Foot
switch

Prior to the first use of your vehicle, remove seat from vehicle and remove large flat battery compartment cover and connect battery wires to battery (red to red & black to black) as the 2nd assembly step in page 4. Please ensure colors are correct to avoid short circuiting.

Battery charging input socket is located at the bottom of the seat as shown in the image above. Plug charger output socket into input socket on your car as shown. Then plug AC adaptor /Charger into a standard 110V household power outlet. Battery should be charged for no longer than 15 hours first charge and each charge thereafter no less than 8-12 hours. Never allow your battery to run completely flat and always place battery on charger if vehicle starts to show signs of slowing down or erratic motion.

Battery charger used with the toy is to be regularly examined for damage to the cord, plug, enclosure and other parts, and in the event of such damage it must not be used until that damage has been repaired.

Instructions



Operation manual : For the first time to use Need to frequency bind

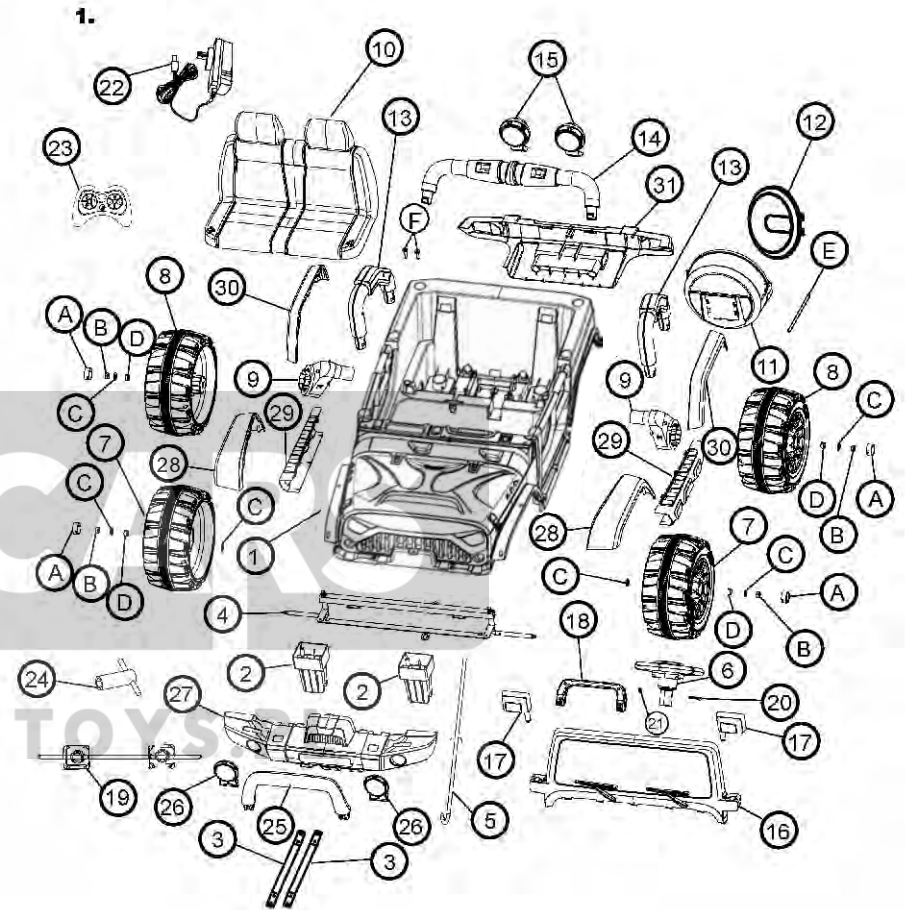
- Take out the remote control, install the battery
- Long press on the button "M" for 2-4 seconds, Indicator light will flash
- Turn on the power of the car ; Indicator light flashes to long lighting, then frequency bind succeed
- If the frequency bind failed (Indicator light flashes), remove the battery and repeat steps 1~3
- Remote control without operation after 10 seconds, indication light will off into power saving mode
- Button Description: ▲ forward ▼ backward ◀ turn left ▶ turn right :Speed
- P: emergency brake, press it and the running function will fail, press again, it release

Install the battery of the remote control:

Buy 2 pcs of battery AAA 1.5V. Use the Phillips screwdriver , unscrew the screw on the back of the remote control. Then remove the battery cover and install the battery.

- Do not mix old and new or different types of batteries
- The exhausted battery should be removed from the remote control in time.

III. ASSEMBLY

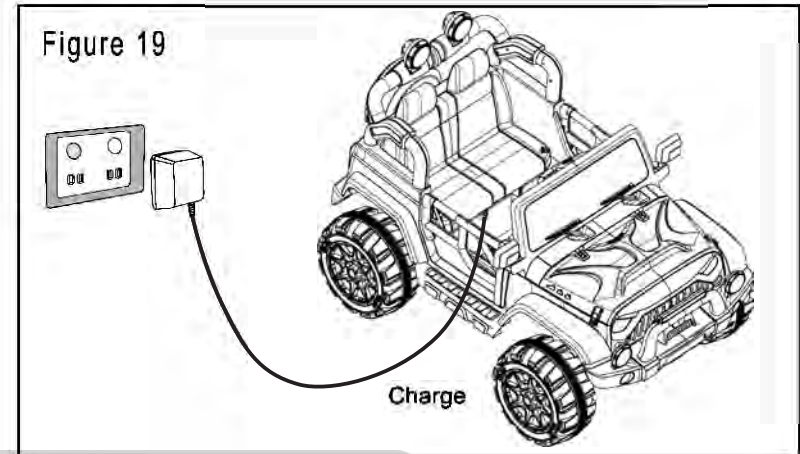
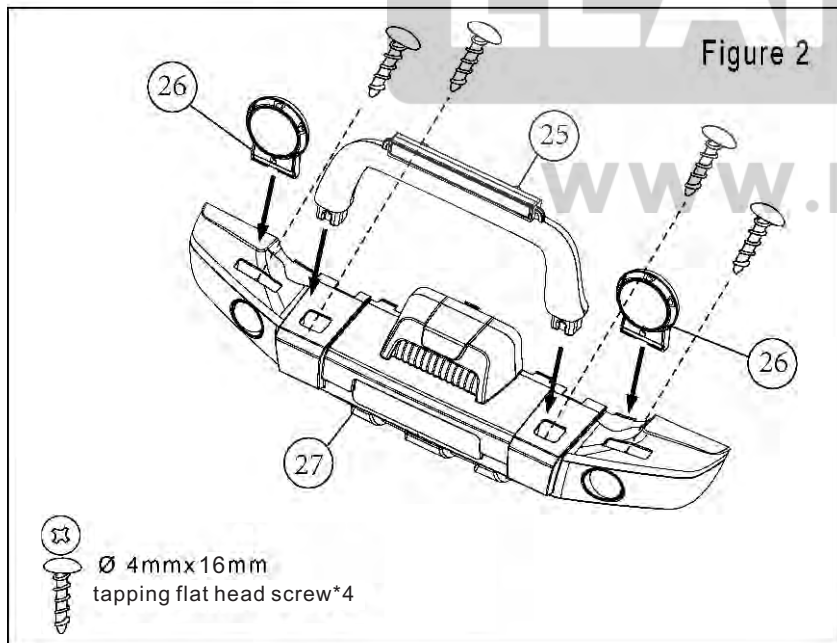
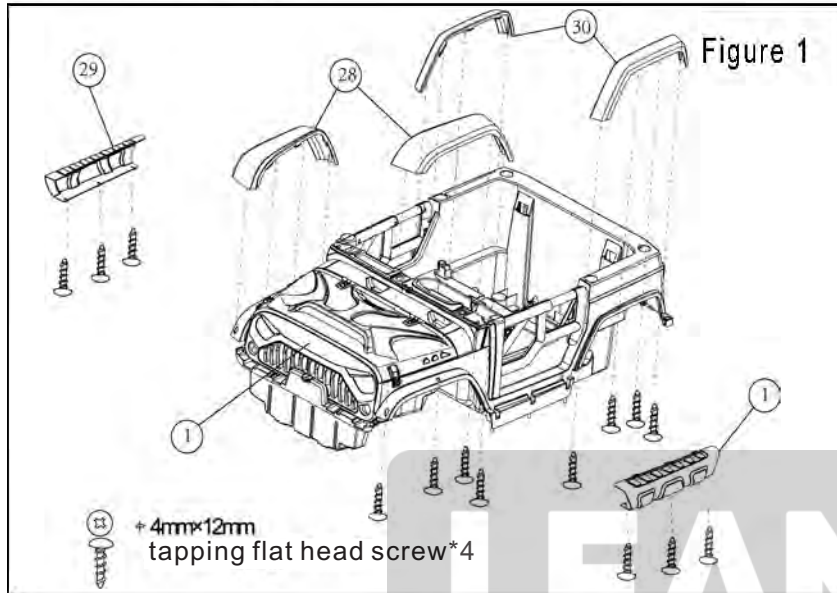


Assembly of your new car is simple, provided you carefully follow the detailed diagram and refer to component part numbers to ensure they are fitted in the correct order as shown above.

IMPORTANT!

Before first time use, charge the battery for at least 8-12 hours. Never charge the battery longer than 15 hours.

Installation steps:



Specifications

The battery	12V7AH*1 / 12V10AH*1
The motor	12V (2 x 30W)
The charger	12V 1000MA (Smart Charger)
Maximum load	50KG
Charging time	Charging time 8-12 hours (Automatically Controlled)
Applicable age	3 Years +
The car speed	2.5mph - 4mph

