

CHARGE METHOD

- 1.First to use please open the cushion , and the battery connections with main distributing frame, with red in red and black in black, not a line ends meet, or cause a short-circuit.
- 2.Charging socket the cushion down side, and needs recharging. charger plug in the outlet, then insert the power outlet.
- 3.The train slowly, in charge, the time for 8-10 hours, and not more than ten hours.
- 4.In the first to use the deposit, we must ensure that the cell battery up to 10 hours, otherwise, permanent damage cells and beyond repair.
- 5.Charging devices or battery which has a fever (60 °C) are normal.
- 6.The electric baby must use this car is equipped with the charger and the battery, in the case of broken the cell phone chargers and the counter-voltage or an electric circuit.
- 7.Have to recharge the batteries to be recharged from the toy the use of battery.
- 8.Not mixed with the old and new or different types of batteries.
- 9.Can't insert the battery wire connector.
- 10.When the baby is not use for a long time, at least once every month to charge.
- 11.Toys can't connect to the surplus on the use of the recommended amount.
- 12.When the car is charging,can't use it.

PACKING LIST

★ Car body (polypropylene)	1PC	★ Charger	1PC
★ The steering wheel	1PC	★ MP3 connector	1PC
★ Chair	1PC	★ Manual	1PC
★ Car wheel, blocks	4PCS	★ Remote controller	1PC

USE CAUTIONS

- 1.In the first to use the deposit, we must ensure that the cell battery up to 10 hours, otherwise, permanent damage cells and beyond repair.
- 2.In the streets, roads, slope, ditch and the danger area.
- 3.Please don't on the polished surface, such as marble,tile on the surface.
- 4.This product by one, not limit, the greatest relief to over 30KG.
- 5.Don't run in an electric switch on deposit in the back of the light switch.
- 6.Shall not be altered the car circuit or device to additional charged
- 7.The remote control and not to let it get caught in the rain or otherwise made in water and keep away from sources of ignition to avoid causing the damage.
- 8.Met with obstruction, the baby stop, please leave the obstacles to ride.
- 9.Don't use in the water, water and other liquids in the car.
- 10.Not in use, to avoid hitting the child.
- 11.When the remote control battery power is low, the car on the remote control and turned back, a short distance, shake, please replace the battery!
- 12.Not in use, please turn off the switch. no, please unplug the battery, a connector.
13. Diffenet types of batteries or do not mix old and new batteries
14. The battery should be put in the correct electrode
15. Non-rechargeable batteries are not to be recharged.
16. “ Batteries are only to be charged by adults or by children at least 8 years old”
17. Rechargeable batteries are to be removed from the toy before being charged.
18. Different types of batteries or new and used batteries are not to be mixed.
19. Batteries are to be inserted with the correct polarity.

20. Exhausted batteries are to be removed from the toy.
21. The supply terminals are not to be short-circuited.
22. Products should be properly assembled by the adults and then use.
23. Please do not use in the streets, roads, landslides and other dangerous places, must be used under adult guardianship.

DECLARATION:

- 1)Manual used in illustrations to explain the product of the operations and products, with the installation of structure in the existence of a small difference in kind, please standard the object.
- 2)In order to improve product quality, not to notice, we may change the part of the structure, and appearance, please forgive.
- 3)This package contains important information that must be kept.
- 4)Cannot be used in rainy days.
- 5)Can not use water to clean.
- 6) Assembly by an adult.”
- 7)“Warning.Protective equipment should be worn.Not to be used in traffic.”
- 8)Toy operation requires a certain technology, should be more careful when used, lest collision and fall lead to injury and injury to others.

Use the product please first read instructions, it will tell you the correct methods of operation and installation instructions. To avoid not correct methods of operation of this product damage or injury and your baby. Manual should be placed to take good care of.
It's STANDARD NO.:EN71 EN62115 ASTM F963

The product to get c is the main ingredients of the important parts.

SPECIFICATION

Battery	12V4.5AH
Motor	12V20W 12V15W
Charger	Input:AC220V-240V, 50HZ-60HZ, Output:DC12V1A
Maxmium load	30 KG
Work Time	Recharge 8-12h, Use for 1 h
Speed	3-5 KM/H
Age	37 months - 96 months
R/C Battery	AAA 1.5V * 2
R/C Distance	15 ± 5M

SAFE RULES

Warning Non-transportation, must be care of adult! Before using the child for education, safety!

- 1.Be charged by an adult, don't let the children touch.
- 2.Driving, we must by adults, and the tutelage use.
- 3.Clamp down on the streets, roads, slope, waiting for over a backward, to eliminate obstacles to ride.
- 4.It's suitable for children for about 37-96 months.
- 5.Cycle shall not leave the seat to prevent operation resulting in injury.
- 6.In the car was pulled, the device, such as a block, please immediately release switch to eliminate the obstacles and foot before you ride.

Warning Using The Matters Needing Attention

Products should be assembled by adult right before use.
Battery charging should be carried out by adults, must first be charged before using this product.
The first use of electric vehicles, must ensure that the battery full 10 hours! Otherwise it would be permanent damage
Pool and beyond repair.
Please don't in the street, the road, landslides and other dangerous places, and be sure to use under adult supervision.
This product is limited to a person, do not overload, the largest capacity of 30 kg.
Please fasten your seat belt, and make sure that your baby is always sat on the bench, at the same time, please do not let the baby in
Runtime stand or do some dangerous action.
Please don't suddenly change in the process of electric vehicles run forward/backward switch.
To prevent collisions with valuables, please do not use in a relatively narrow space, in order to avoid damage to electric vehicles.
Please check the product and the charger, check the wires, plugs, shell packaging and other components
Damaged, found that the damage should stop using, to be repaired before use.
When not in use for a long time, please turn the power off and remove the battery connector.
Children must use under adult supervision.
Safe use period: three years.
Please do not use in the streets, roads, landslides and other dangerous places, and must be used under adult guardianship.
The toy should be used with caution since skill is required to avoid falls or collisions causing injury to the user or third parties.

Warning: electric car used in non private places, may lead to drowning, burns, falls and other hazards.
1. Using electric vehicles for the first time to charge first! (Changing in car, all, changing charging Cover first then do not let your children's access to power supply)
2. please recharge immediately when electric vehicle driving speed slowed significantly, continuous (Charging 8 to 10 hours, not more than 10 small at the right time.
3. In the process of charging the charger or battery have fever phenomenon (under 60 °) are Normal)
4. The electric car must use local car equipped with dedicated charger and battery, so as not to Damage the charger and battery and electric circuit.
5. The electric vehicle charging shall not do any operation.
6. please a mixture of old and new or different types of batteries.
7. electric vehicle charging, please check whether the circuit connection is correct.
8. when the electric conductor time when not in use, must charge at least once every month.

Changing matters needing attention
“non-rechargeable batteries are not to be recharged”
The power terminals shall not be short.
Run out of battery should be removed from the toy.
Should be in the right electrode in the battery.
Please keep for future reference.
Manual has an important information, read,
Install and use the manual
ELECTRIC CAR
Mercedes-Benz
Safe use of rules
Must by adults on the local assembly, please check whether the device and circuit assembly assembly process correctly.
Detail of banned in the streets, highways, handshakes and other dangerous places.
Children must be under the custody of adult use.
When used on the local, please do not casually change device.
When use, shall not be frequently switch forward backward function.
Please check the battery, line, plugs, and other part for damage and found damaged, please stop using in time.
The restored can be reused.
Limit the restored can be reused.

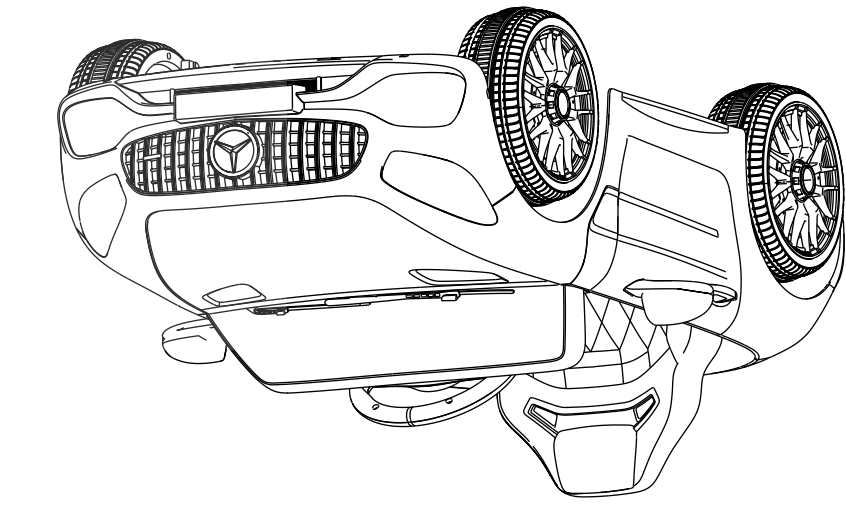


Install and use the manual

ELECTRIC CAR

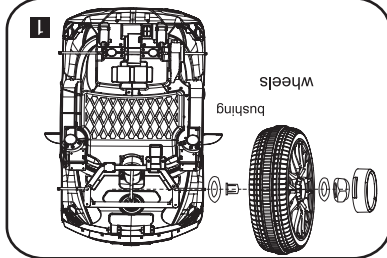
Manual has an important information, read,

Mercedes-Benz

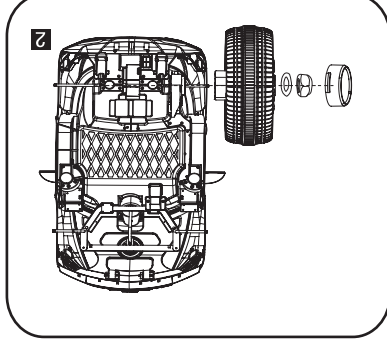


STANDARDS:EN71、EN62115

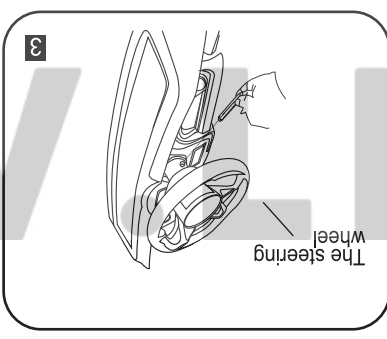
PROBLEM	ANALYZE	SOLUTION
Car doesn't work	• Loss of battery connector • Loose of battery connector • Exhaust & bad battery • Damage on electrical parts • Damage on motor • Tighten the connector • Plug charger with power • Change new charger • Battery with lower power • Battery is old	• Put on the connector • Change with new battery • Go to repair shop • Go to repair shop • Change new battery • Reduce burden under 25KG • Turn on flat ground • Run on not-flat ground • Damage of gear box • Bad connect of motor wire • Loose of sound & light wire • Connect the wire • Go to repair shop • Connect the wire • Go to repair shop
Low Speed	• Old battery • Low power • Over burden	• Recharge the battery fully • Reduce burden under 25KG • Turn on flat ground
Noise & Heat during recharge	• Its chemical process	• Its normal & safety
Short of run time	• Battery is old	• Change new battery
Battery can't be recharged	• Charge doesn't plug the power • Damage of charger	• Plug charger with power • Change new charger
Disturb of magnetic field	• Disturb of magnetic field	• Far away from magnetic field



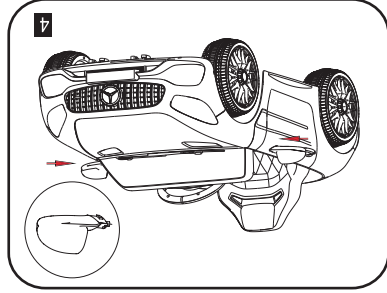
1 Install the front wheel
On the gasket, the lining of the shock absorber into the front axle, then the front wheel set into the front axle, and then set into the gasket and the locknut. On the wrench should be fixed, cover the cap. About the same installation



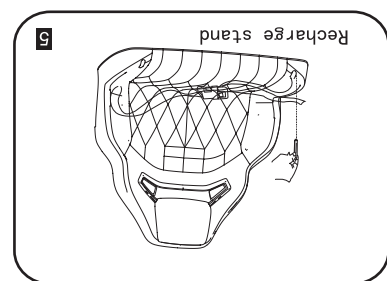
2 Install the rear wheel
Will first car body over, remove manual damping spring and bushing inside, and then put a spring in car suspension hole, then set into the sleeve, and then use 10 mm rear axle through the sleeve.



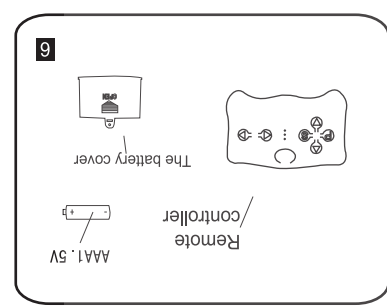
3 Install the steering wheel
Will line connectors and direction in the direction of dish stem line connectors are connected (note that connect the positive and negative). Then put the steering wheel in the direction of the pole, with the MS inner hexagonal set screw rod through the steering wheel head and direction in turn. (as shown in figure 3)



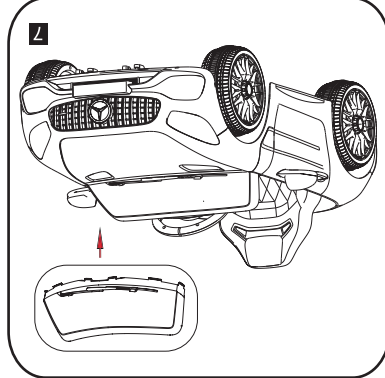
4 Installation mirror
First, differentiate the left and right Mirror, and then rewinding
Insert the left and right of the door. (as shown in figure 4)



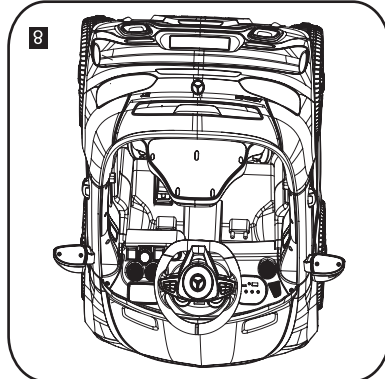
5 Charging instructions
Before installing seal line connectors the positive, and wheel shaft, set into the big gasket, then the fixed wheel shaft, finally cover the wheel cover. (as shown in figure 2)



6 Remote control battery installation
First use the screwdriver to unscrew the screw, lockings, and battery cover and screw changing lockings. (see figure 6)



7 Install windshield
First remove the windshield, then align the windshield frame to the vehicle body, and press firmly to hear the knocking sound. (as shown in figure 7)



8 Functional instructions
1. First open the key to the total power supply, the lights lit up and accompanied by the start. (as shown in figure 5)
2. Move the steering wheel button, sound size adjustment will be up and down the first switch key press. (as shown in figure 5)
3. The upper left corner of the music board is MP3 interface, the following is the memory card insertion port and next to the USB jack. 4-point move, story /V+ Key, this time for the story mode's music /V- button, at this time for the song mode's music /V+ button, at this time for the this time for the ancient poetry mode. 7. "Ready" button, at this time for the speaker mode. 9. Forward and backward switch forward gear, step on the pedal switch car forward. Will "go back" after the switch back, step on the foot switch the car to run backward. 11. The red circular switch is the swing start button, and the switch can realize the swing function. (as shown in figure 8)

LEANWEATCARS