

Safe use of rules

Must by adults on the local assembly, please check whether the device and circuit assembly assembly process correctly. Default of banned in the streets, highways, landslides and other dangerous places. Children must be under the custody of adult use. When used on the local, please do not casually change device. Stop using in time. Until the restored can be reused. The rechargeable battery can't charge. Should be in the right electrode in the battery. Run out of battery should be removed from the toy. The power terminals shall not be short

Charging matters needing attention

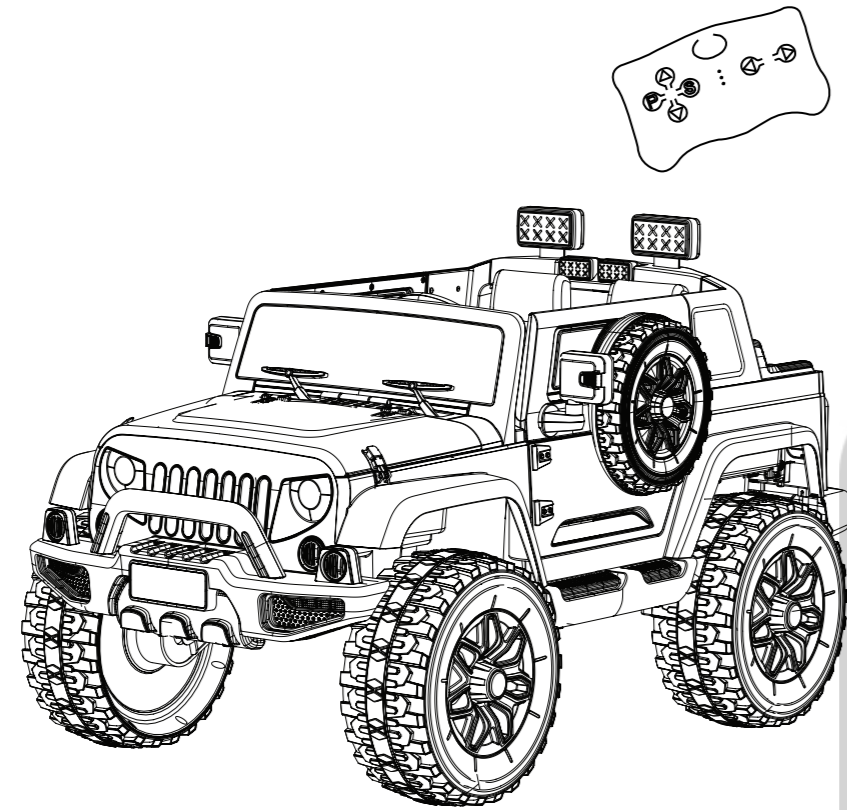
- 1, using electric vehicles for the first time to charge first! Charging in car tail, charging charging Cover first then put the plug in the charging socket, then the charger plugged in. (charging must Be made into do, do not let your children's access to power supply)
2, please recharge immediately when electric vehicle driving speed slowed significantly, continuous Charging 8 to 10 hours, not more than 10 small at the right time.
3, in the process of charging the charger or battery have fever phenomenon (under 60 °) are Normal.
4, the electric car must use local car equipped with dedicated charger and battery, so as not to Damage the charger and battery and electric circuit.
5, the electric vehicle charging shall not do any operation.
6, please a mixture of old and new or different types of batteries.
7, electric vehicle charging, please check whether the circuit connection is correct.
8, when the electric conductor time when not in use, must charge at least once every month.

Warning: electric car used in non private places, may lead to drowning, burns, falls and other hazards.

ELECTRIC CAR

Install and use the manual

Manual has an important information, read, please keep for future reference.



STANDARDS:EN71、EN62115

Products should be assembled by adult right before use. Battery charging should be carried out by adults, must first be charged before using this product. The first use of electric vehicles, must ensure that the battery full 10 hours! Otherwise it would be permanent damage. Foot and beyond repair. Please don't in the street, the road, handshields and other dangerous places, and be sure to use under adult supervision. This product is limited to a person, do not overload, the largest capacity of 30 kg. Please fasten your seat belt, and make sure that your baby is always sat on the bench, at the same time, please do not let the baby in Runtime stand or do some dangerous action. Please don't suddenly change in the process of electric vehicles run forward/backward switch. To prevent collisions with vehicles, please do not use in a relatively narrow space, in order to avoid damage to electric vehicles. Please check the product and the charger, check the wires, plugs, shell packaging and other components. Children must use under adult supervision. Safe use period: three years. Please do not use in the streets, roads, handshields and other dangerous places, and must be used under adult guardianship. The toy should be used with caution since skill is required to avoid falls or collisions causing injury to the user or third parties.

Using The Matters Needing Attention

The product to get c is the main ingredients of the important parts.

It's STANDARD NO.:EN71 EN62115

Manual should be placed to take good care of.

methods of operation of this product damage or injury and your baby.

Use the product please first read instructions, it will tell you the correct

20. Exhausted batteries are to be removed from the toy.

21. The supply terminals are not to be short-circuited.

22. Toys shall be provided with instructions for assembly if:

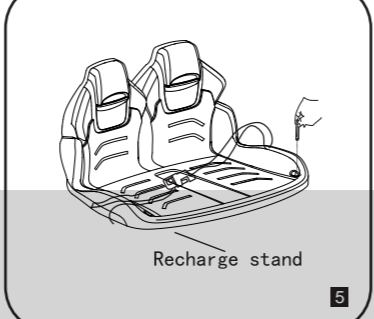
23. They are intended to be assembled by a child.

24. These instructions are necessary for safe operation of the toy.

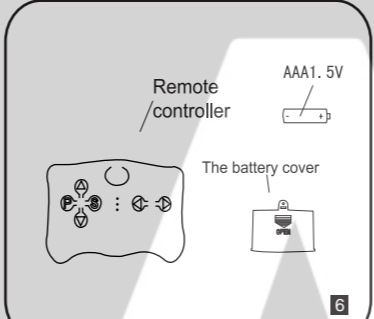
UNIT MOUNT



Mounting windshield The windshield is taken out, then the vehicle windshield card angular alignment groove, pressed down hear clicks that place. (as shown in figure 4)

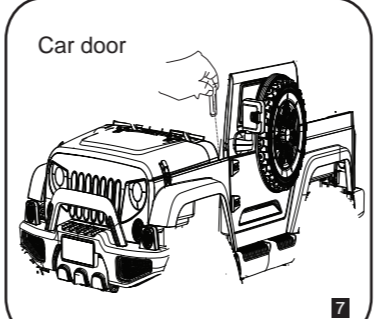


Charging instructions Before installing seat first connect the positive, and then put seat in the specified location, card hook body card slot, then put the front seat fixed on both sides of the hole with the screw clockwise tightened when charging, open cover charge first, and then insert the charger to charge hole, when charging the vehicle without any function. (as shown in figure 5)

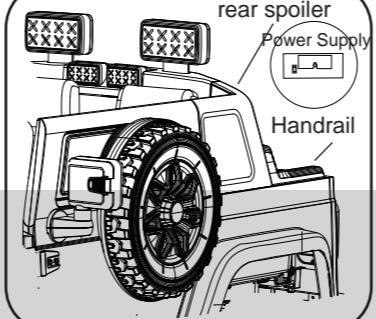


Remote control battery installation First use the screwdriver to unscrew the screw on the battery cover, then take out the battery cover and remote control into two AA1.5 V batteries, and battery cover cover and screw locking. (see figure 6)

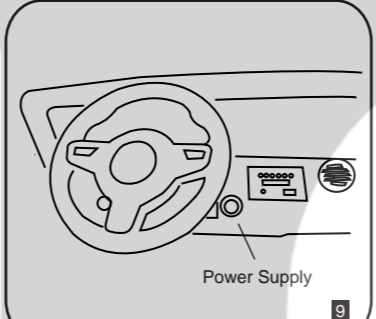
Install know that



Install door First, the distinction between left and right door and door mirrors, and then into the corresponding body, followed by three T4.0\*16 large flat head automatic screw the lock, finally will mirror into the door or not installed anti. (as shown in Figure 7)



After the installation of handrails and tail First open the rear battery box, 4 AA dry electric battery warehouse, cover the battery cover and lock, open the power supply after the tail lamp on the light. Then after the tail hook at the rear of the car body groove, pressed hear clicks that installed in place. Then the arm is stuck in the rear of the car body as shown in the figure. (as shown in Figure 8)



Function and instructions for use 1 turn on the main power switch, start the sound, and the light is on. 2 forward and backward switch set "forward" position: step on the foot switch, the car forward, forward and backward switch set back position, step on the foot switch, the car back running. 3 sound and light parts: the steering wheel buttons are speakers and music. After the start of the car sound, light display vehicle voltage. With MP3, with USB interface, sound and light button function to mark as the standard button; long time no use, please turn off the power switch and disconnect the battery connection. To ensure 1 months to recharge once again. Remote control priority (as shown in Figure 9)

Table with 2 columns: Battery, Motor, Charger, Maximum load, Work Time, Speed, Age, R/C Battery, R/C Distance. Values include 12V30W, 12V15M, 30 KG, Recharge 8-12h, Use for 1-2h, 3-5 KM/H, 37 months - 9months, 15 ± 5M.

SAFE RULES

Warning Before using the child for education, safety!

Non-transportation, must be care of adult!

1 Be charged by an adult, don't let the children touch.

2 Driving, we must by adults, and the interage use.

3 Clamp down on the streets, roads, slope, waiting for over a backward, to eliminate obstacles to ride.

4 It's suitable for children for about 37-96 months.

5 Cycle shall not leave the seat to prevent operation resulting in injury.

6 In the car was pulled, the device, such as a block, please immediately release switch to eliminate the obstacles and foot before you ride.

7 Protective equipment should be worn. Not to be used in traffic."

6 Assembly by an adult."

5 Can not be used in rainy days.

4 Cannot be used in rainy days.

3 This package contains important information that must be to keep.

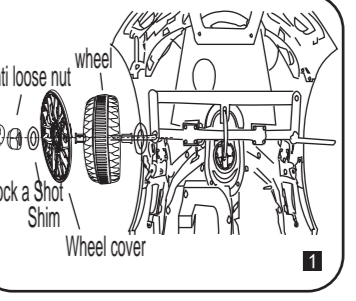
2 In order to improve product quality, not to notice, we may change the part of the structure, and appearance, please forgive.

1 Manual used in illustrations to explain the product of the operations and products, with the installation of structure in the existence of a small difference in kind, please standard the object.

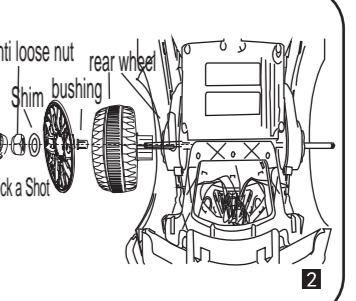
DECLARATION: toy are to be regularly examined for damage to the cord, plug, enclosure and other parts, and in the event of such damage, they must not be used until the damage has been repaired.

TROUBLESHOOTING

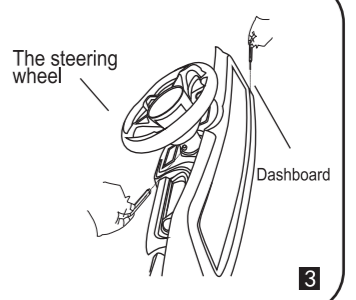
Table with 3 columns: PROBLEM, ANALYZE, SOLUTION. Rows include Car doesn't work, Battery can't be recharged, Short of run time, Noise & Heat during recharge, Low Speed, Noise of gear box, Car shake when running, No sound & light when running, Car can't stop in run, Unusual working condition under Remote control.



Install the front wheel On the gasket, the lining of the condom into the front axle, then the front wheel set into the front axle, and then set into the gasket and the locknut, with nut wrench should be fixed, cover the cap. About the same installation (as shown in figure 1)



Install the rear wheel Will first car body over, remove manual damping spring and bushing inside, and then put a spring in car suspension hole, then set into the sleeve, and then use 10 mm rear axle through the sleeve and body, in turn will spring is fixed inside the car. Then through the rear axle, gear box positioning on the car, and then the connectors on the gear box connected to car connector, then insert the wheel shaft, set into the big gasket, then it's fixed with a locknut, finally cover the wheel cover. (as shown in figure 2)



Install the steering wheel Will line connectors and direction in the direction of dish stem line connectors are connected (note that connect the positive and negative). Then put the steering wheel in the direction of the pole, with the M5 inner hexangular set screw row through the steering wheel and direction in turn. (as shown in figure 3)

Table with 3 columns: Car wheel, blocks, Chair, The steering wheel, Car body (polypropylene), MP3 connector, Charger, Remote controller. Includes 1PC, 4PCS, 1PC, 1PC, 1PC, 1PC, 1PC.

PACKING LIST

- 1 In the first to use please open the enclosure, we must ensure that the cell battery up to 10 hours or cause a short-circuit.
2 Changing socket the cushion down side and needs recharging. charger plug in the outlet, then insert the power outlet.
3 The run slowly in charge, the time for 8-10 hours, and not more than ten hours.
4 Don't run in an electric switch on deposit in the back of the light switch.
5 Shall not be altered the car circuit or device to additional charged.
6 The electric baby must use this car is equipped with the charger and the battery, in the case of broken the cell phone chargers and the counter-voltage or an electric circuit.
7 Have to recharge the batteries to be recharged from the toy the use of battery.
8 Not mixed with the old and new or different types of batteries.
9 Can't insert the battery wire connector.
10 When the baby is not use for a long time, at least once every month to charge.
11 Toys can't connect to the surpluses on the use of the recommended amount.
12 When the car is charging, can't use it.
13 The types of batteries that may be used.
14 How to remove and insert the batteries.
15 Non-rechargeable batteries are not to be recharged.
16 Rechargeable batteries are only to be charged under adult supervision.
17 Rechargeable batteries are to be removed from the toy before being adults or by children at least 8 years old").
18 Different types of batteries or new and used batteries are not to be mixed.
19 Batteries are to be inserted with the correct polarity.

USE CAUTIONS

CHARGE METHOD

First to use please open the enclosure, we must ensure that the cell battery up to 10 hours or cause a short-circuit.

2 Changing socket the cushion down side and needs recharging. charger plug in the outlet, then insert the power outlet.

3 The run slowly in charge, the time for 8-10 hours, and not more than ten hours.

4 Don't run in an electric switch on deposit in the back of the light switch.

5 Shall not be altered the car circuit or device to additional charged.