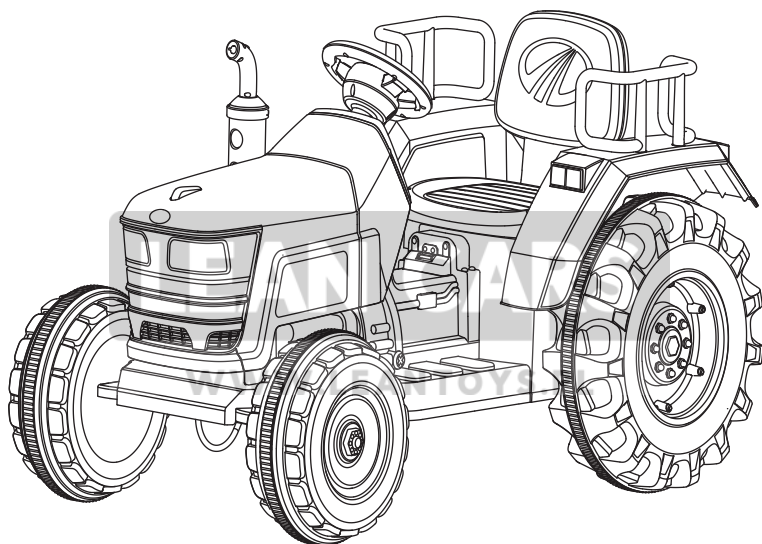


# Mahindra *NOVO* 605 DI-i ELECTRIC TRACTOR



- Suitable for 37-72 months
- Maximum user weight: 30kg
- Adult assembly required



**WARNING**

Must be assembled by an adult.

## **OWNER'S MANUAL**

**Read and understand this entire manual before using!**

Please keep this manual for future reference as it contains important information.

# Table of Contents

---

1. About your New Vehicle
2. Parts List
3. Parts Diagram
4. Assembly Steps
5. How to Operate your Vehicle
6. Charging the Vehicle
7. Troubleshooting Guide
8. Maintaining your Vehicle
9. Disposal of Battery

## About your new Vehicle

---

Thank you for purchasing our products, we want your child to enjoy this product for years to come.

Keep these points in mind as you read this guide:

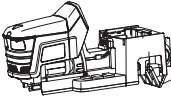
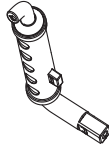

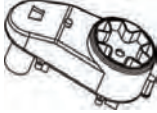

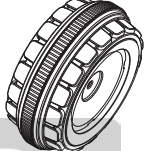
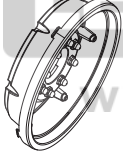






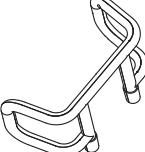
Suitable age	3-72 months	Battery	DC12V7AH
Load Capacity	Under 30Kg	Size of car	1350*800*758 mm
Speed	2- 4 Km/h	Carton size	1350*610*510 mm
Material	PP+metal	Optimum Temperature	Between 5-40 °c Avoid use under burningsun
Charger	Input: Shown on the charger	Charging time	No more than 12 hours
	Output: DC12V	Fuse	F 10A, Self-resetting
	Current: DC1A	Operating life	12 months to 18 months
		Use time	Over 40 minutes per each charge

## **WARNING!**

FOR THE SAFETY OF YOUR CHILD, PLEASE READ ALL WARNINGS AND ASSEMBLY /USE INSTRUCTIONS. KEEP THIS GUIDE FOR FUTURE REFERENCE.



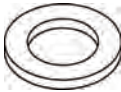

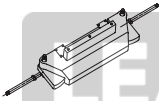




- ADULT ASSEMBLY REQUIRED. The product contains small parts, which are for adult assembly only. Keep small children away when assembling.
- Always remove protective material and poly bags and dispose before assembly.

# Parts List

PART NO.	PART NAME	PICTURE	Q'TY (PCS)	REMARKS	PART NO.	PART NAME	PICTURE	Q'TY (PCS)	REMARKS
1	Vehicle body		1		2	Steam tube		1	
3	Seat		1		4	Gear box		2	
5	Rear wheel		2		6	Front wheel cover		2	
7	Rear wheel cover		2		8	Front wheel cover		2	
9	Rear Hubcap		2		10	Front Hubcap		2	
11	Steering wheel		1		12	Charger		1	
13	Rear left support frame		1		14	Rear right support frame		1	

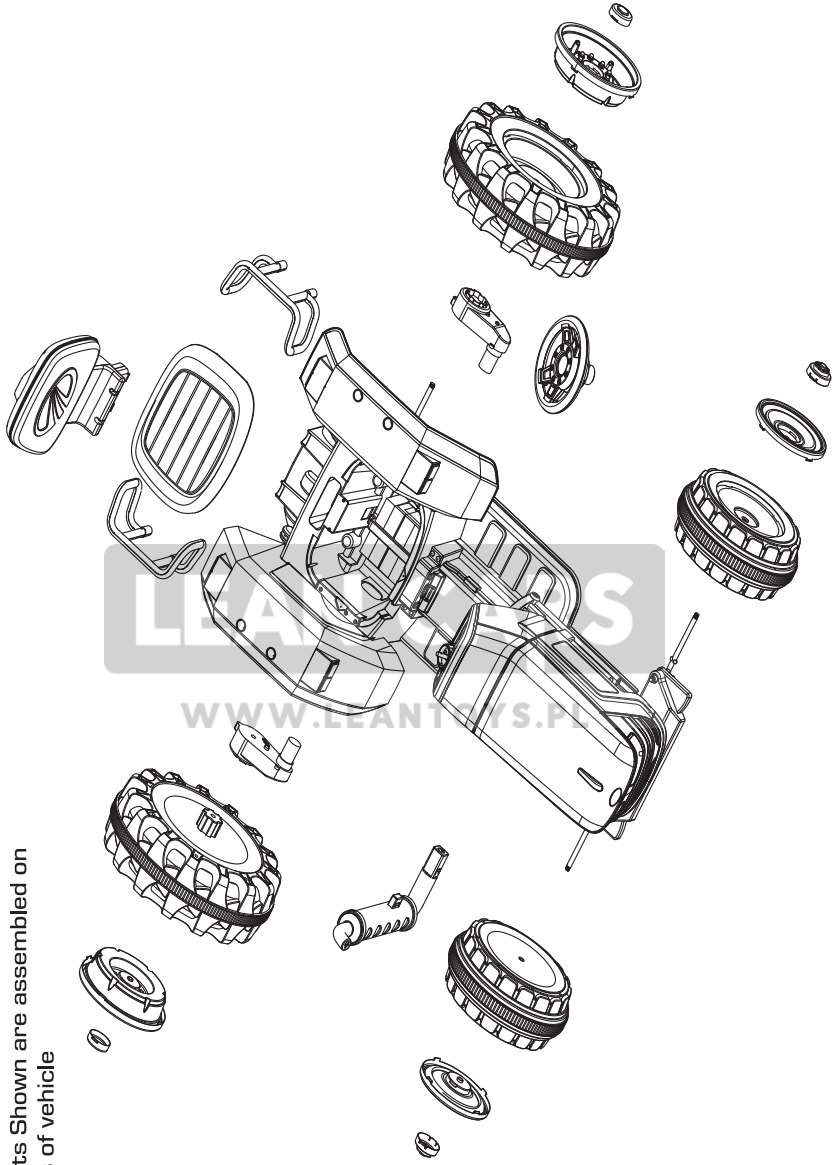
# Parts List

## Assembly Package

PART NO.	PART NAME	PICTURE	Q'TY (PCS)	REMARKS	PART NO.	PART NAME	PICTURE	Q'TY (PCS)	REMARKS
15	M10 Nut		4		16	M10 Washer		4	
17	M12 Washer		2		18	ST 4x12 Screw		13	
19	Front Wheel Axle		1		20	Back Axle		1	
23	Steeling Bar		1		22	ST 4x12 Screw		8	
25	Screw Wrench		1						

# Parts Diagram

Note: Some Parts Shown are assembled on both sides of vehicle



## Assembly Steps

---

- Your new vehicle requires adult assembly. Please set aside at least 40 minutes for assembly. Children can be harmed by small parts, sharp edges and sharp points in the vehicle's unassembled state. Care should be taken in unpacking and assembly of the vehicle. Children should not handle parts, or help in assembly of the vehicle.
- Please identify all parts before assembly and save all packaging material until assembly is complete to ensure that no parts are discarded.
- Assembly tool for need: screwdriver (not included), pliers (not included), hammer (not included), Spanner (not included).

### Note:

- The product must assembled by adult. adult.
- "Warning. Not to be used in traffic."
- "Warning. This toy is unsuitable for children under 3 years due to its maximum speed."
- Do not drive in dangerous zone like street, road and downhill, and must be used under guardianship of adult.

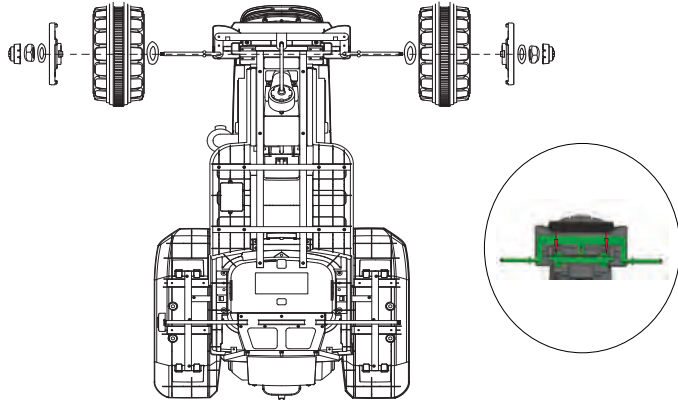
**LEAN CARS**

[WWW.LEANTOYS.PL](http://WWW.LEANTOYS.PL)

# Assembly Steps

---

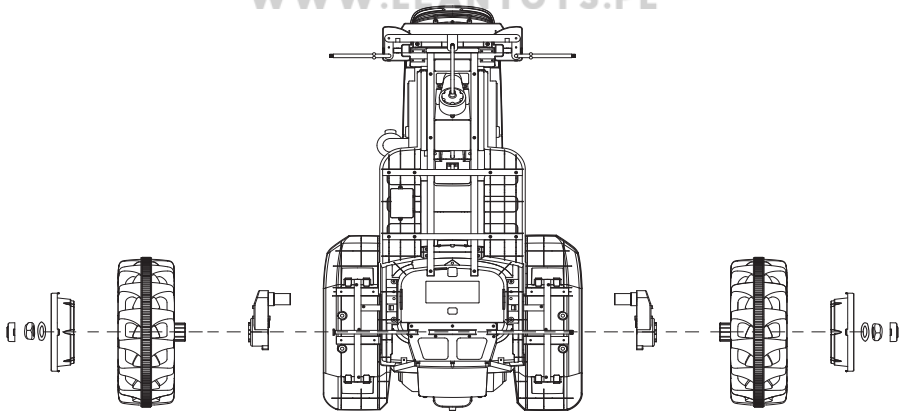
## 1. Assembly front wheels



Firstly, using eleven ST4.0\*12 screw with washer to fix the front wheel axle on the car. Secondly, put the 12mm washer, front wheel and the cover on the front wheel axle, and using looseless M10 screw lock the M10 washer on it, then cover them with nut cap.

Finally, making the steering bar cross over the hole of gear box and instrument board. And we need put the turning point in the hole of the turning rod.

## 2. Assembly rear wheels



Firstly, take the rear support frame down, fix the rear axle on the back seat, and use the rear support frame to fix the axle on the car.

Secondly, put the drive gear, back wheel and back wheel cover in the rear axle.

Then, put the M10 washer in it, and using M10 screw lock them.

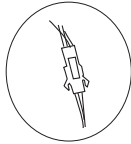
Finally, cover them with the nut cap.

(Note: We should join the drive motor in battery bin.)

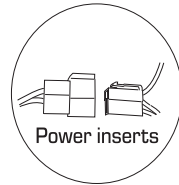
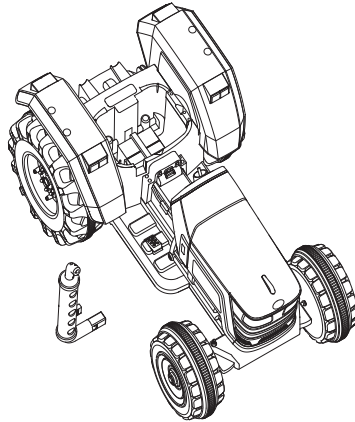
## Assembly Steps

---

### 3. Fix The Mud Board, Steam Tube And Link The Power Inserts

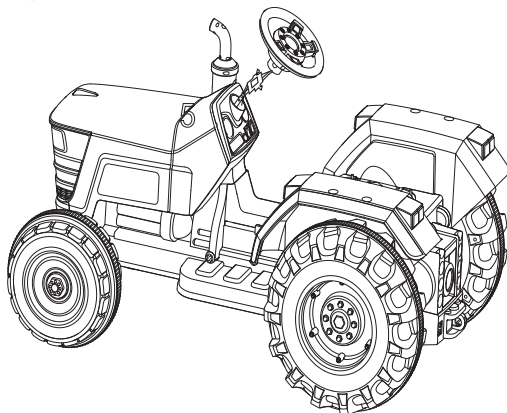


The light inserts of mud



Firstly, take the mud board out, and distinguish the left and the right. Secondly, we should lead the wire of light line inserts to the appoint position, and connect the plug inserts, then put the mud board on the car, using 8 ST4.0\*16 tapping screw to lock it. Then, after fixing the mud board, link the mud board's inserts to the car. (Note: Same installation on the left and right.) Thirdly, take the steam tube out, before installation ,we need to match it with the right slot of the car, press it down, when hear "Kaci", declare the installation in right place. Finally, Link the power inserts with each other.

### 4. Assembly steering wheels



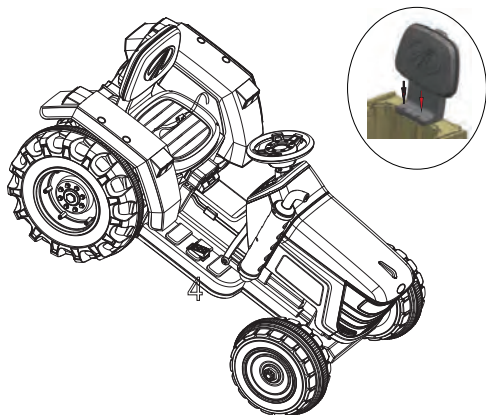
Pick up the steering wheel from package,remove the bolt then connect the wires to vehicle body, insert the steering wheel onto steering shaft, fix it bly the bolt and nut. (Please see details as picture above)



# Assembly Steps

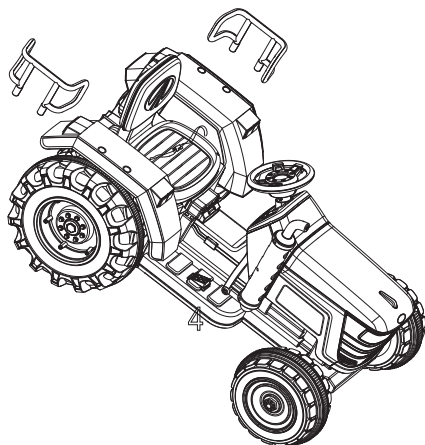
---

## 5. Assemble the seat



Firstly, take the back of the seat out, and we need to match it with the right slot of the car, press it down, when hear "Kaci", declare the installation in right place. Secondly, using 2 ST4.0\*12 tapping screw with washer to fix it. Finally, put the seat on the appoint place, and lock it down.

## 6. Assembly rear support frame



Pick up the steering wheel from package,remove the bolt then connect the wires to vehicle body, insert the steering wheel onto steering shaft, fix it by the bolt and nut. (Please see details as picture above)

# How To Operate Your Vehicle

## **WARNING!**

### **PREVENT INJURIES AND DEATHS:**

- **NEVER LEAVE CHILD UNATTENDED. DIRECT ADULT SUPERVISION IS REQUIRE.**  
Always keep child in view when child is in vehicle.
- Never use in roadways, near cars, on or near steep inclines or steps, swimming pools or other bodies of water.
- Always wear shoes.
- Always sit on the seat.
- Suitable for age 3-6 years; Maximum user weight is 30kgs.
- Not to be used in traffic

Must confirm before using that following work which is already finished

- **Important!** Before the first use, you should charge the battery for at least 12 hours. Do not recharge the battery for more than 10 hours to avoid overheating the charger.
- Only an adult should recharge the battery.  
Finishing the complete tractor to assemble according to the steps as described in manual. The plug-in package of storage battery has already been inserted well, the power has already been put through.
- All places to need the screw guarantee the screw has already been locked.

### Rules for Safe Riding

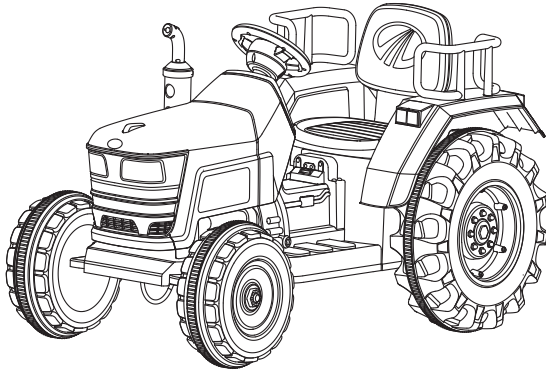
**READ THESE RULES ALOUD TO YOUR CHILD AND THEIR PLAYMATES AND MAKE SURE THEY UNDERSTAND THEM!**

- This toy has no break. Always wear a helmet and protective clothing when riding.
- Direct Adult Supervision Required.
- Keep Children within Safe Riding Areas.
- Never drive in roadways, near motor vehicles, on lawn space, or near steep inclines or steps, swimming pools or other bodies of water.
- Use the toy only on flat surfaces, such as inside your house, garden or playground.
- Never use in the dark, A child could encounter unexpected obstacles and have an accident.
- Operate the vehicle only in the daytime or a well-lit area.
- It is not recommended to drive the vehicle on wet surfaces or on Slopes of greater than 15 degrees.
- Do not use this vehicle outdoors when it is raining or snowing.
- Make sure you come to a complete stop before changing directions from forward to back never.
- Please follow the correct weight and age limits allowed to drive this vehicle.
- It is prohibited to change the circuit or add other electric parts
- Inspect wires and connections of the vehicle periodically.
- In order to avoid accidents, please ensure the vehicle is safe before riding.
- Do not let any child touch the wheels or be near them when the car is moving.
- This vehicle has adjustable play seat belts. Please instruct children how to tie the safety belt before using.

# How To Operate Your Vehicle

---

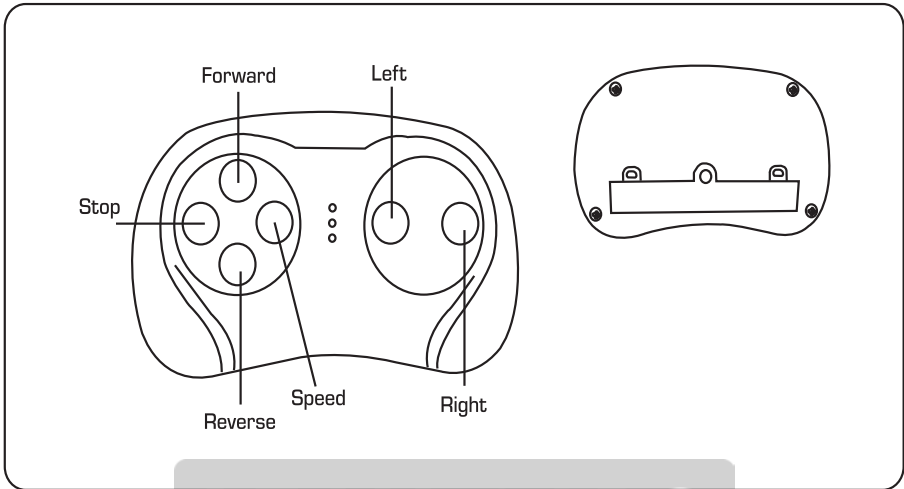
Use Operation (Ensure the power switch has been turned on)



1. Turn on the general power switch first, the lights lit up and accompanied by the start of the sound.
2. Press the music button on the steering wheel, it rings.
3. The upper left corner of the music board is MP3 interface, the following is TF-card and USB socket.
4. "Mode" button, at this time for song mode.
5. Forward Switch "D", step on the pedal switch car forward.
6. Stop witch "P", the vehicle would in the stop situation and can't forward or backward.
7. Reverse Switch "R", step on the pedal switch, the car can run backward.

# How To Operate Your Vehicle

## 8. How to use the remote controller:



**Stop:** press this button, the car will stop accordingly and the LED indicators on the remote control will flash, at this point the remote control and local control functions will be both disabled. Press the button again, the LED will stop flashing and the brake stops.

**Speed:** press this button, the speed will enter a cyclic change mode from low to medium to high to low.

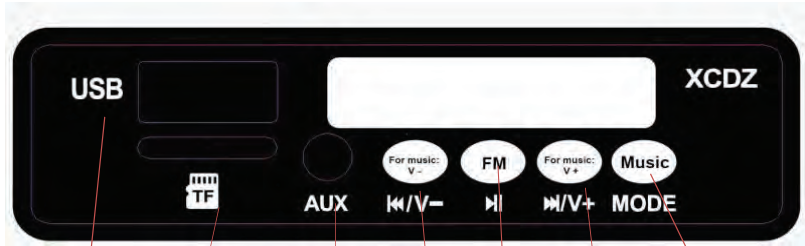
**Remote Control Code Matching Setting:**

1. Turn off the Power Switch on the car.
2. Remove the battery cover on the Remote Control and put in 2 AAA battery, the three LED indicators will flash.
3. Turn on the Power Switch on the car, when the LED indicators stop flashin and 2 of them are on, matching successes.
4. Once the marching is made, there is no need to match code again only if t battery is replaced.
5. The Remote Control will enter a sleep mode if not used for a long time and the LED indicators will be off. Press any button to wake up the Remote Control, and it can be used nomally.

# How To Operate Your Vehicle

## 9. How to use the Sound System & Battery Indicator

LED display window



USB slot    TF card slot    MP3    Music    FM    Music    Mode adjusting

- 1、 The function for music board include the music, radio, USB slot, TF slot, MP3 function.
- 2、 The button on the steering wheel can control the music and the horn.
- 3、 It's music mode when starting the tractor. The first and third button is for music control, but when you press them longer, they can also control the voice for music. The second button can suspend the music, but when you press longer, we will turn on the FM . The fourth button is for mode adjusting.
- 4、 When you first enter the FM mode, we need press the FM button again which will start the channel auto search function. The searched channel will be in remain. And then you can use the first button and the third button to change the channel.

# Charging Your Vehicle

## ONLY AN ADULT CAN CHARGE AND RECHARGE THE BATTERY!

- Non-rechargeable batteries are not to be recharged;
- Different type of batteries or new and used batteries are not to be mixed;
- Batteries are to be inserted with the correct polarity;
- Exhausted batteries are to be removed from the toy;
- The supply terminals are not to be short-circuited.
- Rechargeable batteries are only to be charged under adult supervision;
- Rechargeable batteries are to be removed from the toy before being charged;
- The transformers or battery charger used with the toy are to be regularly examined for damage to the cord, plug, enclosure and other parts, and in the event of such damage, they must not be used until that damage had been repaired.

## **WARNING!**

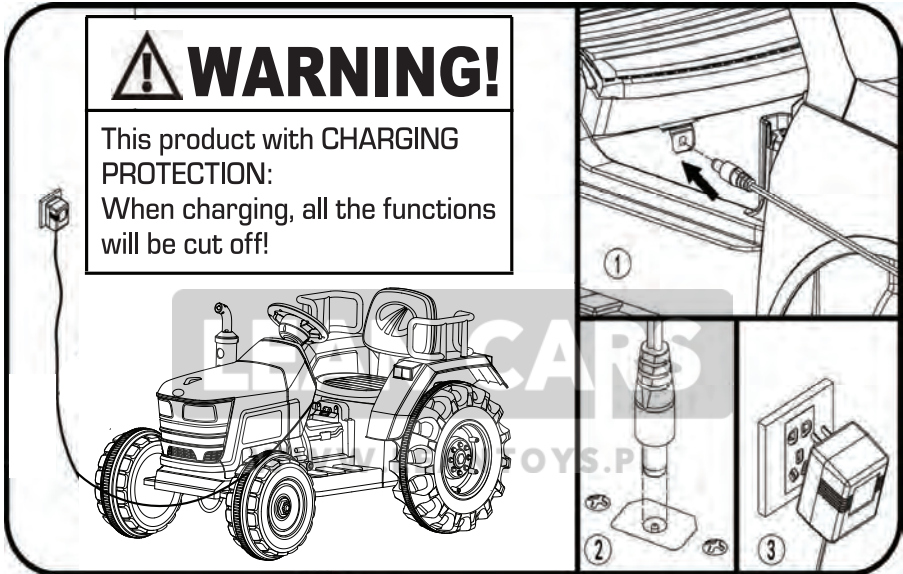
### PREVENT FIRE AND ELECTRIC SHOCK:

- Use the only rechargeable battery and charger supplied with your vehicle. NEVER substitute the battery or the charger with another brand. Using another battery or charger may cause a fire or explosion.
- Do not use the battery or charger for any other product. Overheating, fire or explosion could occur.
- NEVER modify the electric circuit system. Tampering with the electric system may cause a shock, fire or explosion or may permanently damage the system.
- Do not allow direct contact between battery terminals. Fire or explosion can occur.
- Do not allow any type of liquid on the battery or its components.
- Explosive gasses are created during charging. Do not charge near heat or flammable materials. Charge the battery in a well-ventilated area ONLY.
- NEVER pick up the battery by the wires or charger. Damage can occur to the battery and may cause a fire. Pick up the battery by the case ONLY.
- Charge the battery in a dry area ONLY.
- Battery posts, terminals and related accessories contain lead and lead compounds, chemicals known to the State of California to cause cancer and reproductive harm. Wash hands after handling.
- Do not open the battery. Battery contains lead acid and other materials that are toxic and corrosive.
- Do not open the charger. Exposed wiring and circuitry inside case may cause electric shock. Only adults may handle or charge the battery. NEVER allow child to handle or charge the battery. Battery is heavy and contains lead acid [electrolyte].
- Do not drop the battery. Permanent damage to the battery could occur or cause serious injury.
- Before charging the battery, check for wear or damage to the battery, charger, its supply cord and the connectors. DO NOT charge the battery if any damage to parts has occurred.
- Do not allow the battery to drain completely. Recharge the battery after each use or once a month if not used regularly.
- Do not charge battery upside down.
- Always secure the battery with the bracket. Battery can fall out and injure a child if vehicle tips over.
- Adult supervision is recommended of young children.
- The toy should be used with caution since skill is required to avoid falls or collisions causing injury to the user or third parties.

## Charging Your Vehicle

---

- The charging input socket is **BELOW THE SEAT**
- The **POWER SWITCH** must be turned in **OFF** position when charging.
- Before the first use, you should charge the battery for at least 4 hours. Do not recharge the battery for more than 10 hours to avoid overheating the charger.
- When the vehicle begins to run slowly, recharge the battery.
- After each use or once a month minimum recharge time as least 8 hours, not exceeding 12 hours.



1. Find The charging input socket below the seat;
2. Plug the charger port into the input socket;
3. Plug the charger plug into a wall outlet. The battery will begin charging.

# Trouble shooting Guide

---

- **PROBLEM: The vehicle does not run**

**PROBLEM CAUSE:** The battery may low on power.

After each use, or once a month minimum, charge the battery for 8 hours, not exceeding 12 hours.

**POSSIBLE CAUSE:** Thermal fuse has tripped.

The vehicle is equipped with a self-resetting fuse. When the vehicle is overloaded or operated incorrectly; the self-resetting fuse will be cut off for 5-20seconds before becoming operational again. The self-resetting fuse is under the seat (Refer to the picture.)

DO NOT overload the vehicle, Maximum weight allowed:30kg

DO NOT tow anything behind the vehicle.

DO NOT drive up steep slopes.

DO NOT drive into fixed objects, which may cause the wheels to spin, causing the motor to overheat.

DO NOT drive in very hot weather; components may overheat.

DO NOT tamper with the electric system, Doing so may create a short circuit, causing the fuse to trip.

**POSSIBLE CAUSE:** Wheel nuts are loose.

If the nuts are not tight, the wheels will not engage the forward gears. Tighten the nut with the nut wrench.

**POSSIBLE CAUSE:** Battery connector or wires are loose.

Make Sure the battery connectors are firmly plugged in to each other.

**POSSIBLE CAUSE:** Battery is dead.

Have you properly maintained the battery according to the directions? Is the battery old? Your battery may need to be replaced.

**POSSIBLE CAUSE:** Electric system is damaged.

Water may have corroded the system, or loose dirt, gravel or sand might have jammed the switch.

**POSSIBLE CAUSE:** Motor is damaged.

The motor needs professional repair.

- **PROBLEM: The battery will not recharge.**

**POSSIBLE CAUSE:** Battery connector or adapter connector is loose.

Make sure the battery connector and adapter connector are firmly plugged together.

**POSSIBLE CAUSE:** Charger is not plugged in.

Make sure the charger is plugged into the wall outlet and the power flow to the outlet is on.

**POSSIBLE CAUSE:** Charger is not working.

Is the charger warm while charging? If not, the charger may be broken and may need to be replaced.



## Trouble shooting Guide

---

- **PROBLEM: The vehicle does not run very long.**

**POSSIBLE CAUSE:** Battery may be undercharged.

You may not be charging the battery long enough. After each use or once a month minimum recharge time as least 8 hours, not exceeding 12 hours.

**POSSIBLE CAUSE:** Battery is old.

The battery will eventually lose the ability to hold a charge. Depending on the amount of use, and varying conditions, the battery should operate for one to three years.

Replace the battery with a new One.

- **PROBLEM: The vehicle does not run very long.**

This is normal and not a cause for concern. It may also be silent when charging, which is also normal.

- **PROBLEM: The vehicle does not run very long.**

This is normal and not a cause for concern.

### Maintaing Your Vehicle

- It is parents' responsibility to check main parts of the toy before using, Must regularly examine for potential hazard, such as the battery, charge, cable or cord, plug, screws are fastening enclosure of other parts and that in the event of such damage, the toy must not be until that damage had been properly removed.
- Make sure the plastic parts of the vehicle are not cracked or broken.
- Occasionally use a lightweight oil to lubricate moving parts such as wheels.
- Park the vehicle indoors or cover it with a tarp to protect it from wet weather.
- Keep the vehicle away from sources of heat, such as stoves and heaters. Plastic parts may melt.
- Recharge the battery after each use. Only an adult can handle the battery. Recharge the battery at least once a month when the vehicle Raider is not being used.
- Do not wash the vehicle with a hose. Do not wash the vehicle with soap and water. Do not drive the vehicle in rainy or snowy weather. Water will damage the motor, electric system and battery.
- Clean the vehicle with a soft, dry cloth. To restore shine to plastic parts, use a non-wax furniture polish. Do not use car wax. Do not use abrasive cleaners.
- Do not drive the vehicle in loose dirt, sand or fine gravel which could damage moving parts, motors or the electric system.
- When not using, all the electrical source should be turn off. Turn off the power switch and disconnect the battery connection.

# Disposal of Battery

---

## Disposal Of Battery

- Your sealed lead-acid battery must be recycled or disposed of in an environmentally sound manner.
- Do not dispose of your lead-acid battery in a fire. The battery may explode or leak.
- Do not dispose of a lead-acid battery in your regular, household trash. The incineration, land filling or mixing of sealed lead-acid batteries with household trash is prohibited by law.
- Return an exhausted battery to your local approved lead-acid battery recycle, such as a local seller of automotive batteries.
- Contact your local waste management officials for other information regarding the environmentally sound recycling and disposal of lead-acid batteries.
- The battery must be charged only by adult. Please charge the product before using!
- The toy should not be connected to excessive powers (more than the quantity specified herein), and it should not be operated during charging process.
- Any rechargeable battery must only be charged under adult's supervision.  
Battery charger shall regularly check the wires, plugs, casing and other parts for damage and found damage should stop using and restored.
- Open the battery cover on the remote control, and put two pieces of batteries, paying attention to batteries polarity. Replace the battery cover and lock with screws (please replace the battery according to the above steps and should be done by adult).
- All batteries should be inserted with the correct polarity.
- Non-rechargeable battery should not be charged, please remove any running-off battery from the toy.
- Do not use old and new batteries together, or mix different types of batteries.
- The battery charger used with the toy are to be regularly examined for damage to the cord, plug, enclosure and other parts, and in the event of such damage, they must not be used until that damage had been repaired.

Our products are suitable for  
En71 and En62115 BIS standard.