

**DIRECTIONS**

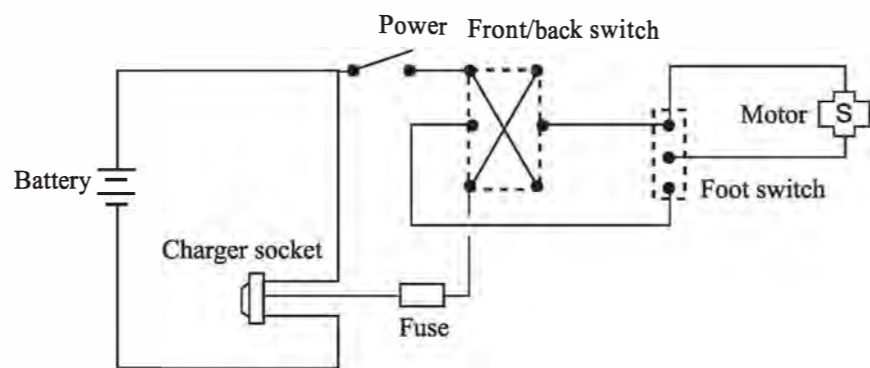
1)The rider to sit, the forward and backward, switch according to "advance" switch, and step on the pedal switch, then the vehicle forward; releasing the foot pedal, the car stop; forward and backward, switch according to "back off" switch, and step on the pedal switch, vehicle backward running; releasing the foot pedal, the car stop; forward and backward, the switch at the "intermediate", the car is in the parking state, step on the pedal switch vehicle is not running.

2)Replace the fuse  
If you need to replace the fuse, took out the fuse (the fuse blew out in the saddle transparency in the insurance), open the gate, and the fuse blew out after the closing of the fuse.

**NOTICE**

- 1)Slow when the car battery, in time for 8-10 hour, never more than ten hours.
- 2)In charging devices and the battery has a warm, is a normal phenomenon.
- 3)The assembly must be conducted by an adult; don't let the children are there, small items in the throat of danger!
- 4)After installation of the packet, please, don't let the children play and the strangling of danger!
- 5)Plus, minus a battery is shortened, burns and explosion danger!
- 6)Salvage battery not conducting or into the fire, recycle to the companies.
- 7)Do not operate in the back of the switch or device; to damage to change, after the release switch between the way back to switch.
- 8)In the ride, please switch on the back to the middle of the document, turn off the switch. (note: The switch can only control the driver of).
- 9)To ensure that the electrical safety fuse to the body for 15a parameters.The maximum current is not allowed to change.
- 10)In a charger, and pulling, please stand up straight in the socket hard about, don't move.

**POWER DIAGRAM**



**MAINTENANCE**

This car is part of a polypropylene moulding plastics, it is strictly forbidden in the sun.

- 1.Mechanical parts**
  - 1)Use half a month to check the wheels are turning round, after driving motor work correctly, often driving wheel to add #3 potassium the oil.
  - 2)For safety should always check the direction of rotation system work correctly, setscrews and the wheels on whether the lid, such as moving parts and components.
- 2.Electrical parts**
  - 1)Electrical failure of his own part, must do not remove by professional maintenance.
  - 2)Battery charging method uses and see the manual.
- 3.Appearance maintenance**
  - 1)No water washed, scrubbed, with a soft cloth to be done.
  - 2)No rain, which can cause electric vehicle.

**PACKING LIST**

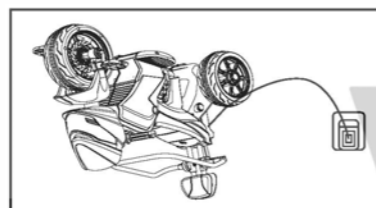
SERIAL	NAME	QTY	SERIAL	NAME	QTY
1	Front wheel	1	8	Reflector	2
2	Front wheel cover	2	9	Fram	1
3	Fender	1	10	Body	1
4	Instrument table	1	11	Part package	1
5	Bracket	1	12	Instructions	1
6	Windsheild	1	13	Charger	1
7	Hood	1	14		

**FIX USUSL BRAKE DOWN**

The motor won't turn.	<ol style="list-style-type: none"> <li>1)Is a good contact between the switches?</li> <li>2)Is the electrical terminals soldered to a line whether?</li> <li>3)Is the line of electrical connector to properly?</li> <li>4)Of the electrical connector pulled a direct answer to the battery, in turn?</li> </ol>	No:Will be sitting on the switch fixed. Yes:Next. No:Terminals may well be the needle thread. Yes:Next. No:To a connector properly. Yes:Next. Not to change battery ; , the board; to repairing the professional shop.
Not the only way forward or back does not advance.	<ol style="list-style-type: none"> <li>1)Testing it out of the switch, use of contact with the three, whether good?</li> <li>2)The driving circuit wiring is good to front-back switch.</li> </ol>	No:Charge front-back switch. Yes:Next. No:Connect the line. Yes:The driving circuit board, to repair.

# LEAN CARS

ensure the full ten hours.Or permanent damage to the battery does not



1. First to use, and the battery connections with red thread, the red, black in black. Forbidden pick electrode.  
 2. Charging outlets located in the back (As the picture) of the car. Necessary, plug the charging devices against the outlet, then insert the power outlet.  
 3. The train slowly, in the charging. Time for 8-10 hours.Never more than ten hours.  
 4. In the first use of electric vehicles have to recharge the battery must ensure the full ten hours.

**Charge method**

1. Be charged by an adult, don't let the children touch.
2. Driving, we must by adults, and the tutelage use.
3. Clamp down on the streets, roads, slope, waiting for over a pool of the danger zone.
4. The product is 37 - 96 months of eligible children use.
5. Ride may leave the seat to prevent operation resulting in injury
6. In the car was pulled, the device, such as a phenomenon that comes from the forward or backward, to eliminate obstacles to ride.

**Warning** Before using the child for education, safety!  
**Non-transportation, must be care of adult!**

**SAFE RULES**

Age	37-96 months	Load Limit	30KG
Charge time	8-10 hours	Power	6V4.5Ah Sealed Battery
Net weight	5.5KG	Charge	220V/6V 500mA
Car Size	78x35x52cm	High mph	2KM/HR
Pack Size	65x34x40cm	Using time	About 300 time

**SPECIFICATION**

This product is part of PP.

**DECLARATION:**

Slowly	<ol style="list-style-type: none"> <li>1)Check the battery is in 6, the voltage above 3V? Yes:Next. No:Next.</li> <li>2)The motor (with the gear box) directly connected to the battery, repair and speed up? Yes:The driving circuit board, to repair.</li> <li>3)The gear box, will check whether the good turn? Yes:Change the motor. No:Change the gear box.</li> </ol>	<ol style="list-style-type: none"> <li>1)Electronics the output terminal for 6, 8v - 8. 0v voltage? Yes:Next. No:Change charge.</li> <li>2)Input and output devices will the simple out? Yes:Change the battery. No:Next.</li> <li>3)Check the fastener is used, whether welds off? Yes:Connect the charging.</li> </ol>	<ol style="list-style-type: none"> <li>1)The right rear wheel rotation? Turn to the wheels on. No:Next.</li> <li>2)Check the motor and the gear box loose? Yes:Take off the gear box. To tighten the screws on the motor. No:Next.</li> <li>3)Check the gear box at the damage? Yes:Change the gear box. No:Next.</li> </ol>	<ol style="list-style-type: none"> <li>1)Check if the switch is on the card? Yes:Repair the switch. The car't stop.</li> </ol>
--------	---	--	--	--

1)Manual used in this instructions to explain the product of the operations and products, with the installation of structure in the existence of a small difference in kind, please standard the object.  
 2)In order to improve product quality, not to notice, we may change the part of the structure, and appearance, please forgive.  
 3)This package contains important information that must be to keep.

- 5.Charging devices or battery which has a fever (60 °c) are normal.
- 6.The ev must use this car is equipped with the charger and the battery, the cell phone chargers and the counter-voltage or an electric circuit.
- 7.Have to recharge the batteries to be recharged from the toy the use of battery. do not mix with the old and new or different types of batteries.
- 8.Can't insert the battery cable connector in.
- 9.When electric vehicles have long time no use, at least once every month charging.
- 10.Toy can be connected to any recommendation on the use of.
- 11.When the traffic on the toy to be operating.

**ERECTION INSTRUCTIONS**



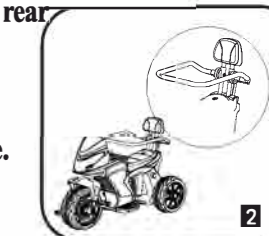
1, the front wheel is mounted on the front fork, in turn, bushing end sleeve, the front axle sleeve into the front fork and the locking nut cover cap.



4, instructions for use:First, the seat will be connected to the positive and negative pole, then the power switch will open the vehicle to start the sound, and the button on the fuel tank cap will be issued to make music sound. The forward and backward switch is set forward to step on the pedal switch car to move forward, the forward and backward switch is set back to step on the pedal switch. The arm can be opened up and down.

2, the installation of the arm back:

Will remove the rear armrest back alignment hole and pressed down hear clicks that place.



3, the front installation:

The mud plate set into the front fork, then the card front on the body and then the fork passes through the body of the headstock is fixed on the body, and then set the car to, with M5\*35 screw will lock it.



**LUXURY CAR**  
 Please read carefully before using  
 Manual has an important information, read, please keep for future reference.

STANDARD: GB6675. 1-2014 GB6675. 2-2014  
 GB6675. 3-2014 GB6675. 4-2014  
 GB19865-2005 GB5296. 5-2006

**WARNING!**  
 FOR THE SAFETY OF YOUR CHILD, PLEASE READ ALL WARNINGS AND ASSEMBLY/USE INSTRUCTIONS. KEEP THIS GUIDE FOR FUTURE REFERENCE.  
 The toy is to be assembled by an adult. In un-assembled state product contains potentially hazardous small parts, so please keep out of baby's reach.  
 Always remove protective material and poly bags and dispose before assembly.  
 Park the 6 volt quad indoors or cover it with a tarp to protect it from wet weather. Do not leave vehicle in sun for long periods of time or fading may occur. Store in shade or cover with tarp.  
 Do not drive the 6 volt quad in loose dirt, sand or fine gravel, which could damage moving parts, motors or the electric system, which could void the warranty.  
 Do not wash the 6 volt quad with a hose. Do not wash the 6 volt quad with soap and water. Do not drive the 6 volt quad in rainy or snowy weather. Water will damage the motor, electric system and battery.  
 Do not return this product to the place of purchase.

About Your New 6 volt quad  
 Thank you for purchasing the 6 volt quad. Keep these points in mind as you read this guide: