

CHILDREN'S ELECTRONIC TOY MOTORCYCLE INSTALLATION AND OPERATION MANUAL



- 1.Suitable age for 18-36 Months.**
- 2.Maximum user weight: 20KGS.**
- 3.Adult assembly required**

OWNER'S MANUAL

with Assembly Instructions

Read and understand this entire manual before using!

**Please keep this manual for future reference as it contains
important information.**

Before first time use, charge the battery for at least 8-12 hours.

About Your New Vehicle

Specification

Item	Specifications
Battery	6V4.5AH
Motor	380#
Maximum weight	20KGS
Size	73*39*48CM
Speed	3Km/h
Using time	working for 1-2 hours, once charged for 8-12 hours
Available ages	Children at 18-36 months
Charger	DC6V500mA

Disposal Of Battery











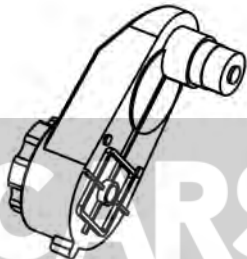

1. Your sealed lead-acid battery must be recycled or disposed of in an environmentally sound manner.

2. Do not dispose of your lead-acid battery in a fire. The battery may explode or leak





3. Do not dispose of a lead-acid battery in your regular, household trash. The incineration, land filling or mixing of sealed lead-acid batteries with household trash is prohibited by law.

Our products are suitable for ASTM F963; CPSIA; EN71 and EN62115 standard.

Parts Diagram

			
1. Korpus pojazdu	2. Owiewka	3. Kierownica	4. Widelec
			
6. Przedni błotnik	7. Tuleja	8. Przednia oś	9. Tylna oś
			
11. Tylne koło x2	12. Tuleja na oś	13. Silnik	14. Ładowarka

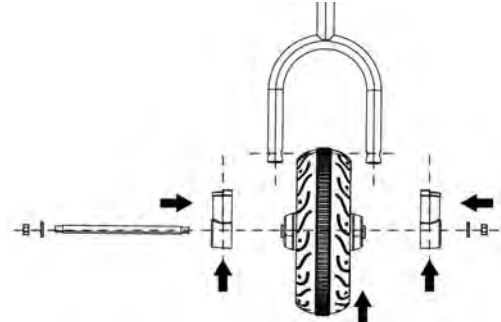
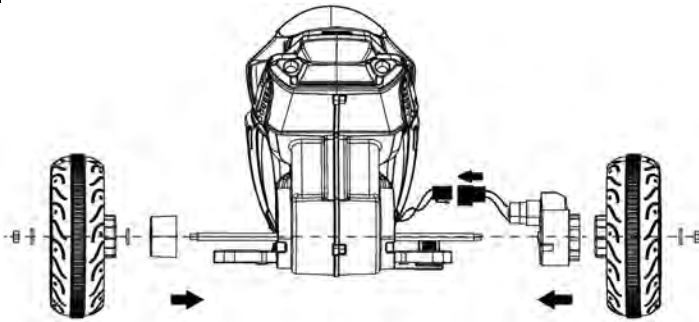
Number of screw packs

			
1	2	3	4
1. 10MM Podkładka X6		3. M8 Nakrętka X4	

2. 5X30 Śrubka X1

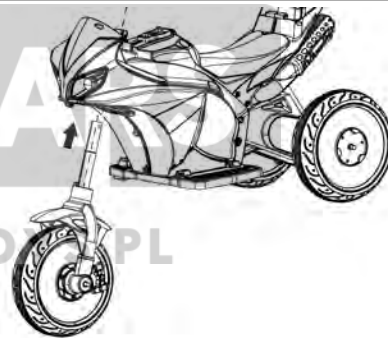
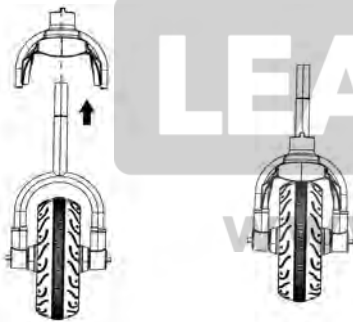
4. M5 Nakrętka X1

Attach the Side Wheels & Rear Fender



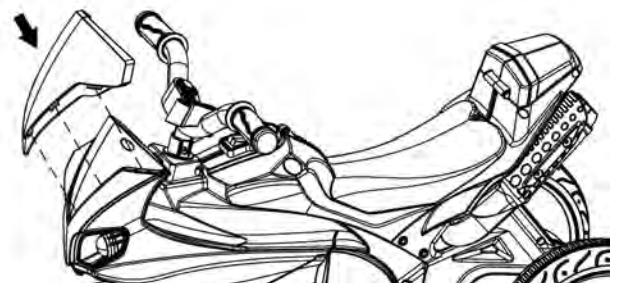
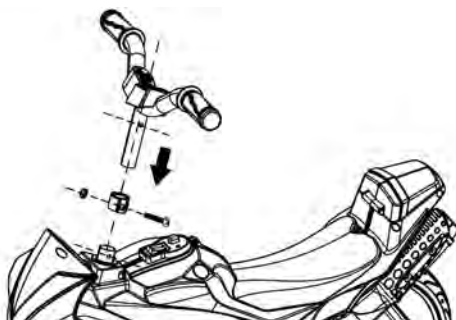
1. insert the back axis, assemble the gear motor & Axle sleeve, CONNECT THE MOTOR ELECTRIC LINE INTO THE MOTOR, assemble back wheels, fix the wheels(2XM8 NUT&3X10MM GASKET)

2.insert the frok decoration into the fork, insert the front axle&fix the front wheel (2XM8 NUT&2X10MM GASKET)



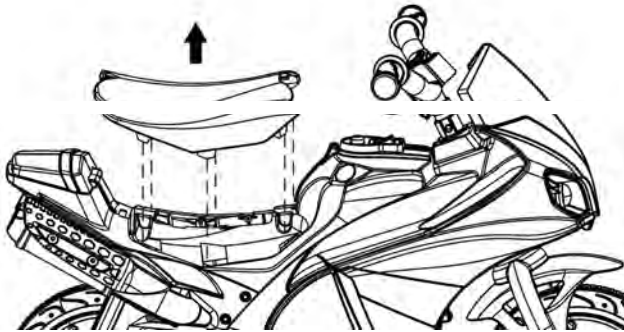
3.insert Front mud plate onto the fork

4.Lift the body and insert the steering tube

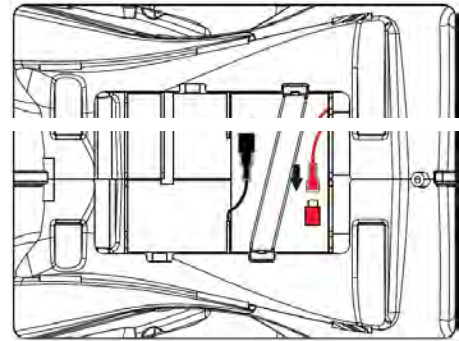


5.fix the handle bar&tap sleeve (1X(5X30)SCREW&1XM5 NUT)

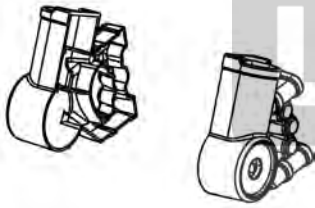
6.Stuck the windshield on car.



7. Loosen the 4x10 mounting screws and open the seat cushion



8. CONNECT THE BATTERY ELECTRIC LINE INTO THE BATTERY



5. Nakładka na widelec



10. Przednie koło

LEAN CARS

WWW.LEANTOYS.PL