

CHILDREN' S

ELECTRONIC TOY MOTORCYCLE

INSTALLATION AND OPERATION MANUAL



1. Suitable age for 18-36 Months.

2. Maximum user weight: 20KGS.

3. Adult assembly required

OWNER' S MANUAL

with Assembly Instructions

Read and understand this entire manual before using!

Please keep this manual for future reference as it contains important information.

Before first time use, charge the battery for at least 8-12 hours.

About Your New Vehicle

Specification

| Item | Specifications |
|----------------|--|
| Battery | 6V4AH |
| Motor | 380# |
| Maximum weight | 20KGS |
| Size | 71X45X51CM |
| Speed | 3Km/h |
| Using time | working for 1-2 hours, once charged for 8-12 hours |
| Available ages | Children at 18-36 months |
| Charger | DC6V500mA |


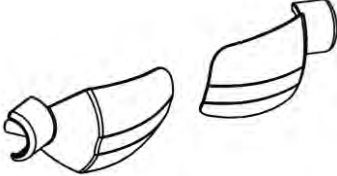
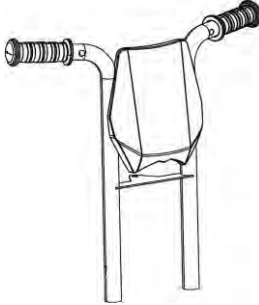
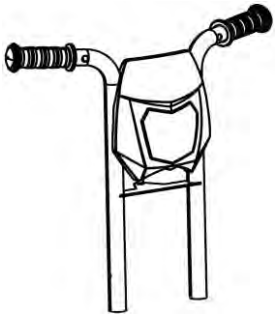
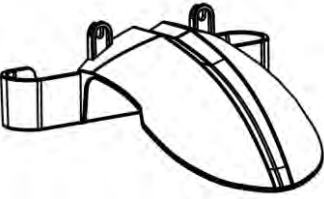
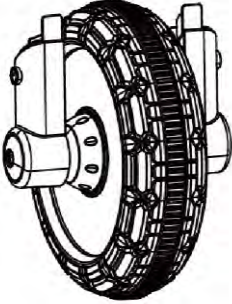
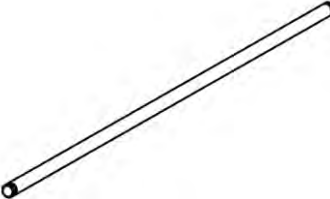
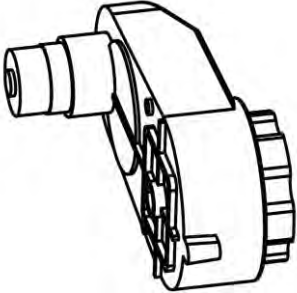


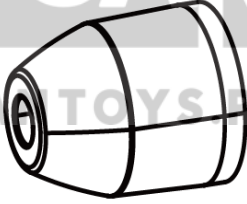
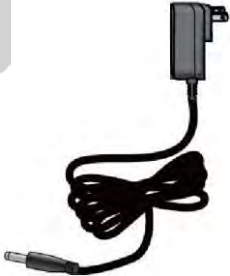
WWW.LEANTOYS.PL

Disposal Of Battery

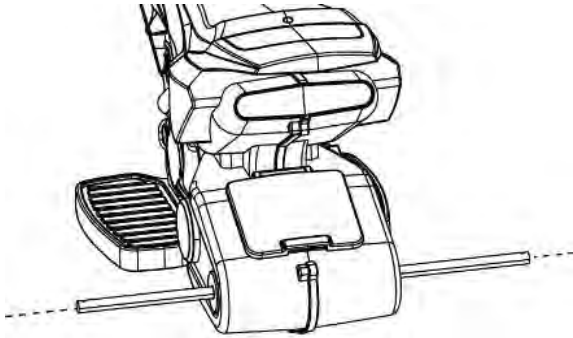
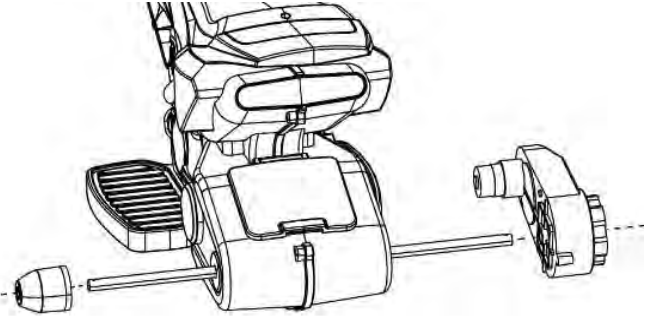
1. Your sealed lead-acid battery must be recycled or disposed of in an environmentally sound manner.
2. Do not dispose of your lead-acid battery in a fire. The battery may explode or leak
3. Do not dispose of a lead-acid battery in your regular, household trash. The incineration, land filling or mixing of sealed lead-acid batteries with house-hold trash is prohibited by law.

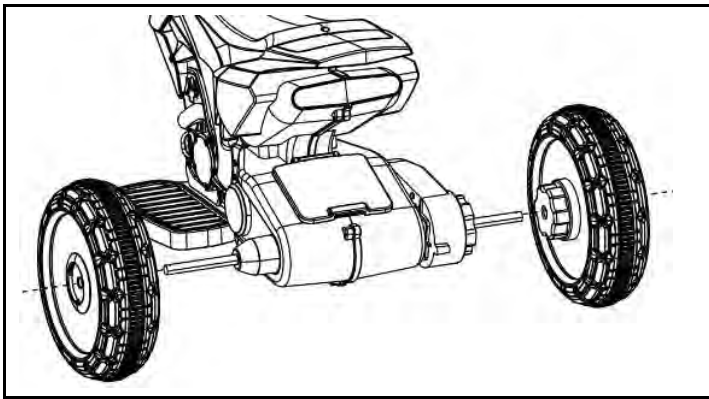
Our products are suitable for ASTM F963; GB6675; EN71 and EN62115 standard.

Parts Diagram

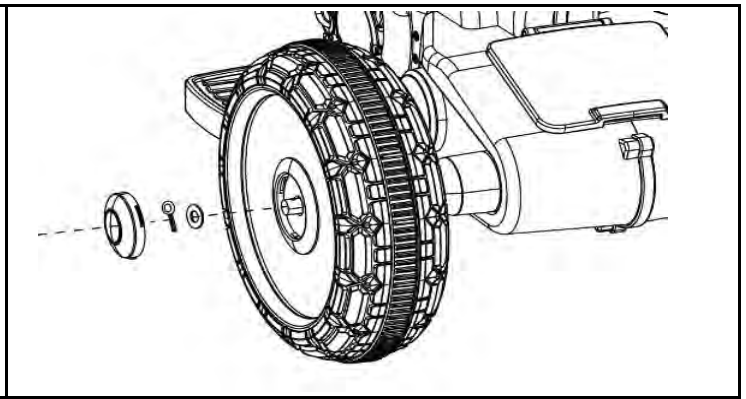
| | | | |
|---|---|--|---|
|  |  |  |  |
| 1. body | 2. Reflector | 3. handlerbar#A | 3. handlerbar#B |
|  |  |  |  |
| 4. front mudguard | 5. front wheel | 6. A rear axle | 7. motor |
|  |  |  |  |
| 8. rear wheelX2 | 9. Stuffy coverX2 | 10. Axle sleeve | 11. charger |

Attach the Side Wheels & Rear Fender

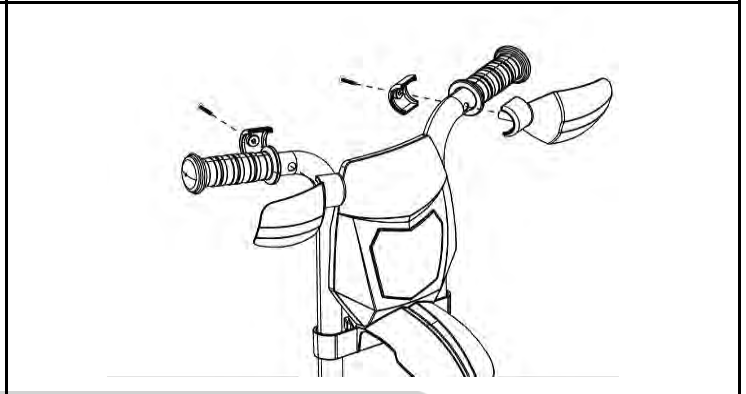
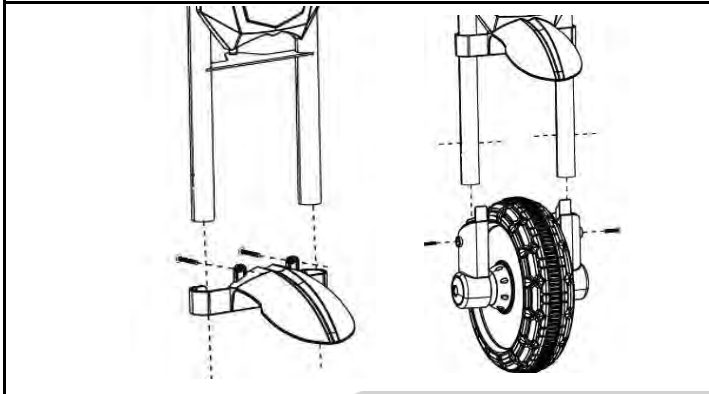
| | |
|---|--|
|  |  |
| 1. insert the back axis | 2. assemble the gear motor & plastic hat |



3. assemble back wheels

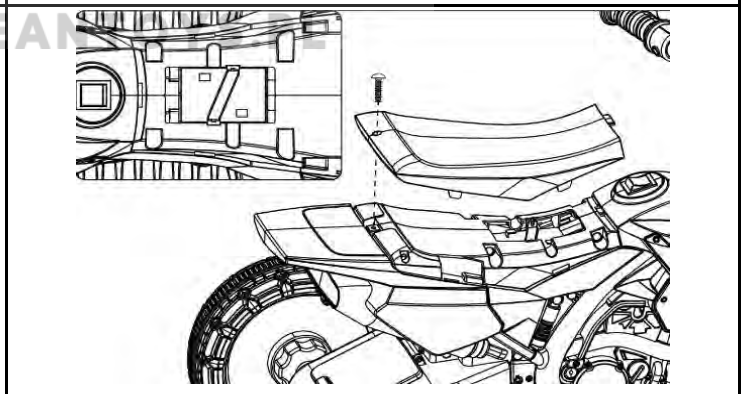
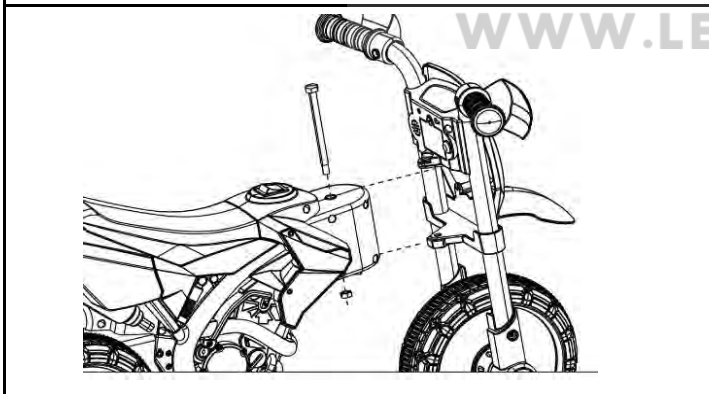


4. fix the wheels (use gasket & pin) & put on the plastic decorate



5. assemble mudguard & use screw 4*10 fix it
 6. assemble front wheels & fix use screw 3.5*10

7. assemble grip plastic decorate & use screw 4*10 fix it



8. fix motor body & front part

9. assemble the seat & use screw 4*10