

ELECTRIC RIDE-ON MOTORBIKE GTM1188



WWW.LEANTOYS.PL INSTALATION AND OPERATION MANUAL

- **Suitable age for 3+ Years**
- **Maximum user weight: 25 kgs**
- **Adult assembly required**

OWNER' S MANUAL

with Assembly Instructions

Please keep this manual for future reference as it contains important information.

Before using for the first time, charge the battery for at least 8-12 hours.

LEAN CARS About Your New Vehicle:

Item	Specifications
Battery and fuse	6V 4,5AH
Motor	6V 18W
Maximum weight	25kg
Size	920 x 430 x 660mm
Speed	3-5 km/h
Using time	Up to 1 hour
Available ages	37-96 months
Charger	DC6V 500mA

Disposal Of Battery



Your sealed lead-acid battery must be recycled or disposed of in an environmentally sound manner.

Do not dispose your lead-acid battery in a fire. The battery may explode or leak.

Do not dispose a lead-acid battery in your regular, household trash. The incineration, land filling or mixing of sealed lead-acid batteries with household trash is prohibited by law.

Our products are suitable for ASTM F963; GB6675; EN71 and EN62115 standard.

Safety

Never leave child unattended. Adult direct supervision is required. Always keep child in sight when child is in the vehicle.

This toy should be used with caution since skill is required to avoid falls or collisions causing injury to the user or third parties.

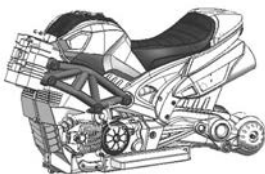
Protective equipment should be worn.

Never use in roadways, near cars on or near steep inclines or steps and bodies of water.

Always wear shoes, always sit on the seat.

Maximum user weight is 30 kgs.

Parts Diagram



1.body



2.handlerbar



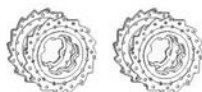
3.front light



4.front mudguard



5. fork



6.brake plastic



7.forn wheel plastic part



8.front wheel axle part



9.front wheel



10.wheel axle



11.side pedal



12.support wheel



13.back wheel



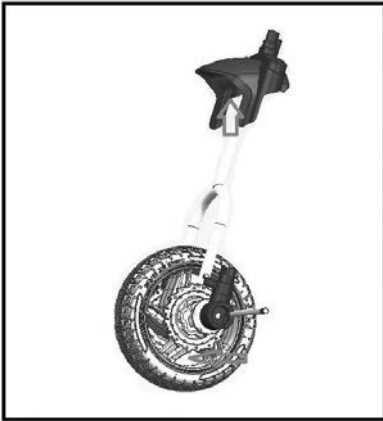
14.back plate



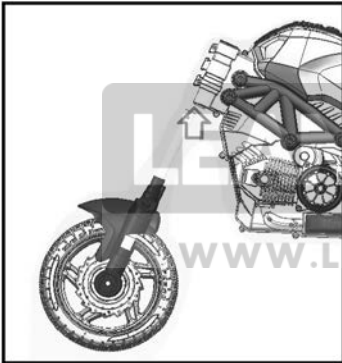
15.Exhaust pipe



16.charger



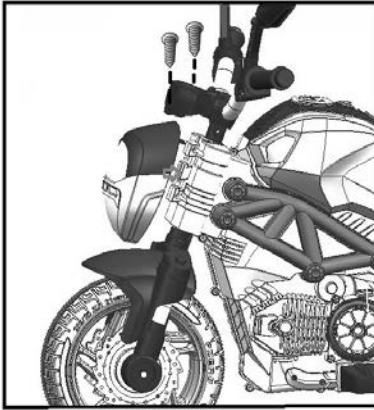
1.insert fork into the front mudguard then fix the fork with the front wheel use two nuts (10mm) and two washer (10mm)



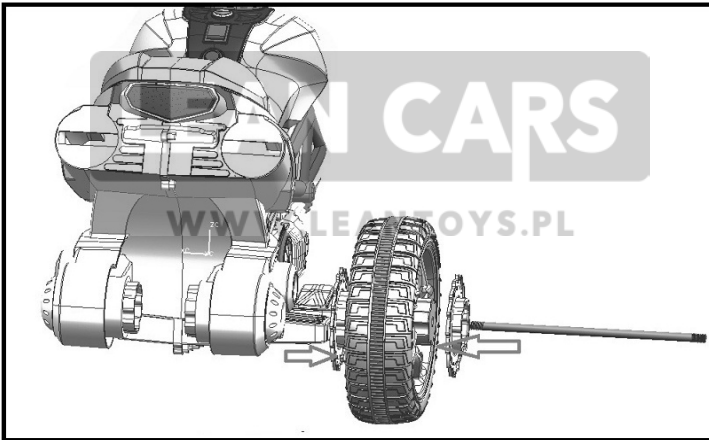
2.insert the fork into the body



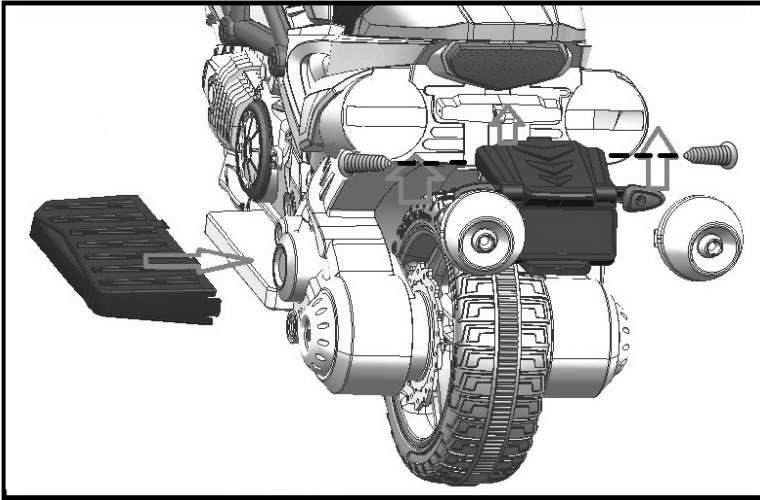
3.assemble the handlebar with the fork fix by one screw(5X28) and one nuts (28)



**4.insert front light
into the car body
fix by two screws (4X12)**



**5.insert back wheel into
car body then fix
use two nuts (10mm)
and two washer (10mm)**

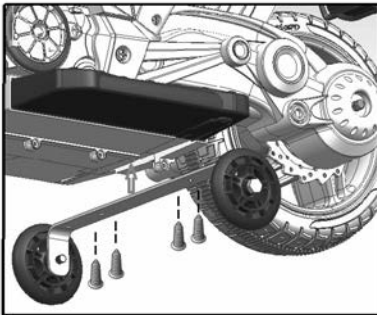


6.(1) insert side peel into car body

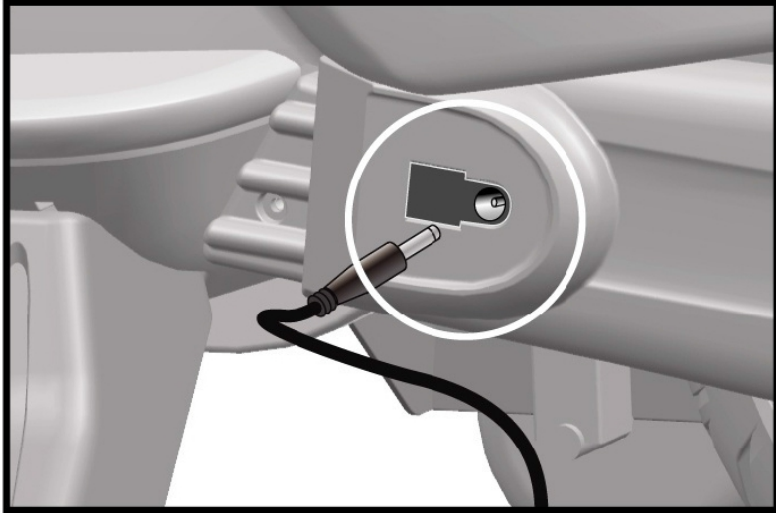
**(2) fix back plate onto car body
use two screws (4X10)**

WWW.LEANTOYS.PL

**(3) insert two pcs exhaust pipes
into car body**



**7.fix support wheel into car body
use four screws (4X12)**



LEAN CARS

- The **POWER SWITCH** must be turned in **OFF** position when charging.
 - Before the first use, you should charge the battery for 4-6 hours. Do not recharge the battery for more than 10 hours to avoid overheating the charger.
 - When the vehicle begins to run slowly, recharge the battery.
1. Plug the charger port into the input socket (beside the **LEFT** side wheel).
 2. Plug the charger plug into a wall outlet. The battery will begin charging.

READ THESE RULES ALOUD TO YOUR CHILD AND THEIR PLAYMATES AND MAKE SURE THEY UNDERSTAND THEM!

- This toy is no break. Always wear a helmet and protective clothing when riding.
- Direct Adult Supervision Required.
- Keep Children within Safe Riding Areas.
- Never use in roadway, near motor vehicles, on lawn space, on or near steep inclines or steps, swimming pools or other bodies of water.
- Use the toy only on flat surfaces. such as inside your house, garden or playground.
- Never use in the dark. A child could encounter unexpected obstacles and have an accident. Operate the vehicle only in the daytime or a well-lit area.
- It is not recommended to drive the vehicle on wet surfaces or on lopes of greater than 15 degrees.
- Do not use this vehicle outdoors when it is raining or snowing.
- Make sure you come to a complete stop before changing directions from forward to back.
- Please follow the correct weight and age limits allowed to drive this vehicle.
- It is prohibited to change the circuit or add other electric parts
- Inspect wires and connections of the vehicle periodically.
- In order to avoid accidents, please ensure the vehicle is safe before riding.
- Do not let any child touch the wheels or be near them when the car is moving.

Maintaining Your Vehicle

- It is parents' responsibility to check main parts of the toy before using, Must regularly examine for potential hazard, such as the battery, charge, cable or cord, plug, screws are fastening enclosure of other parts and that in the event of such damage, the toy must not be until that damage had been properly removed.
- Make sure the plastic parts of the vehicle are not cracked or broken.
- Occasionally use a lightweight oil to lubricate moving parts such as wheels.
- Park the vehicle indoors or cover it with a tarp to protect it from wet weather.
- Keep the vehicle away from sources of heat, such as stoves and heaters. Plastic parts may melt.
- Recharge the battery after each use. Only an adult can handle the battery. Recharge the battery at least once a month when the vehicle Raider is not being used.
- Do not wash the vehicle with a hose. Do not wash the vehicle with soap and water. Do not drive the vehicle in rainy or snowy weather. Water will damage the motor, electric system and battery.
- Clean the vehicle with a soft, dry cloth. To restore shine to plastic parts, use a non-wax furniture polish. Do not use car wax. Do not use abrasive cleaners.
- Do not drive the vehicle in loose dirt, sand or fine gravel which could damage moving parts, motors or the electric system.
- When not using, all the electrical source should be turn off. Turn off the power switch and disconnect the battery connection.