

CH9958

Children's buggy

Installation and operation manual

- Armrest, push rod function
- Alarm light function
- Executive standard: EN71 and EN62115 ;
GB6675and GB19865



Assembly By Adult Only

Please follow real product, Photo for reference only

The picture in this manual is to show the product operation and structure, please follow the real product only if any difference between picture and product happens. There must be chance not to inform you on time to improve the product result from appearance or structure, please be understood.

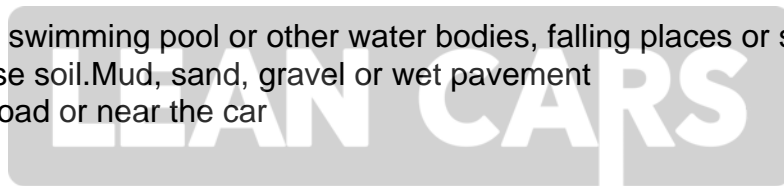


Please read this manual carefully before play the product, it tells you the right way for operation and install to avoid any possible hurt to your kids. Please keep this manual and put it in a place where is easy to get.

WAARNING:

The following safety hazards may cause serious injury or death

- 1.Never leave your children unattended
- 2.Be sure to sit on the seat when using this car
- 3.Keep your hands, hair and clothes away from moving parts
- 4.Be sure to wear shoes when operating this car
- 5.Up to one child is allowed to ride in the vehicle
- 6.Only on flat roads
- 7.Do not approach the swimming pool or other water bodies, falling places or steep slopes
- 8.Do not drive into loose soil.Mud, sand, gravel or wet pavement
- 9.Do not drive on the road or near the car



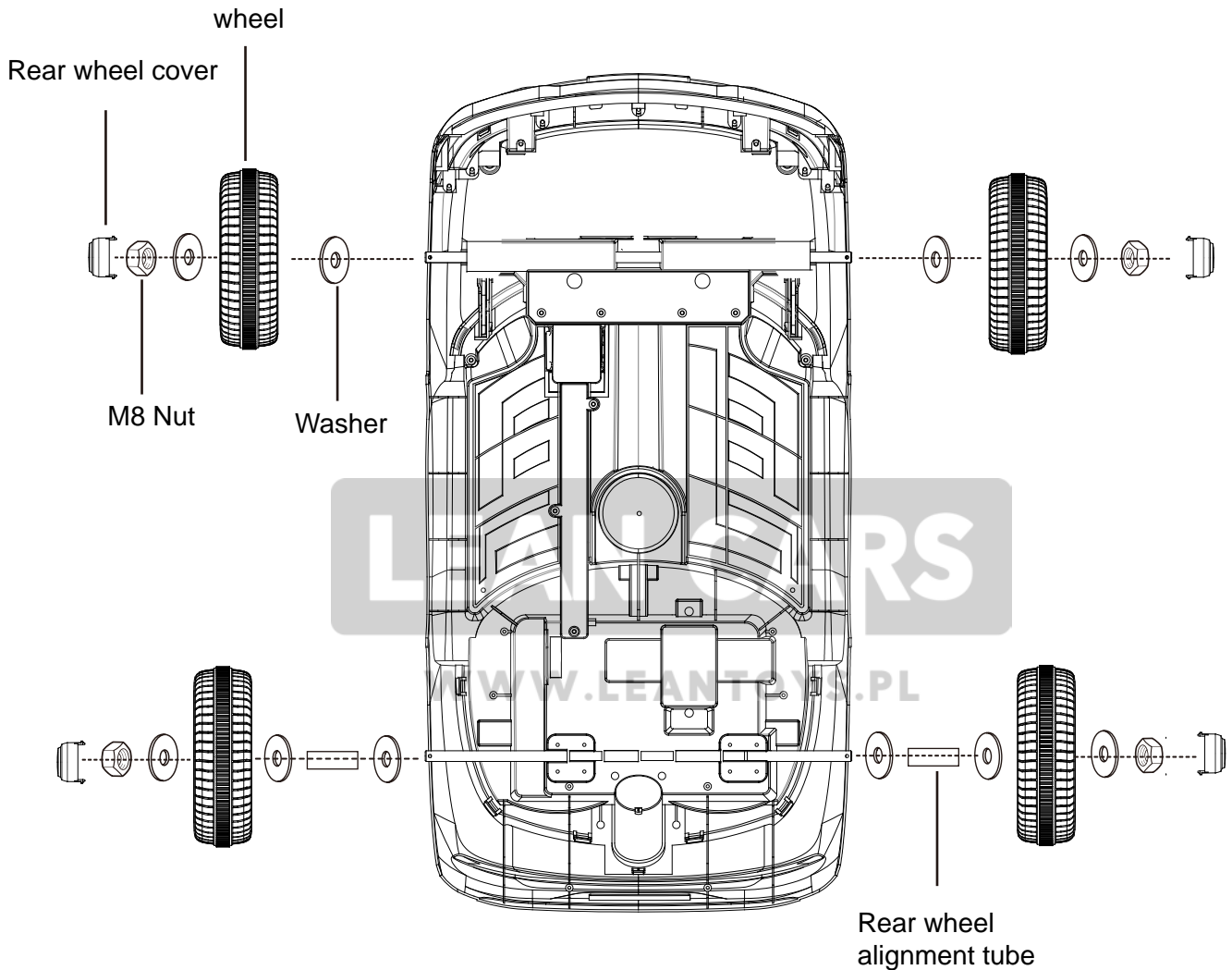
WWW.LEANTOYS.PL

PRODUCT ASSEMBLY

1

1: Install a gasket on each side of the front axle, and then install a wheel on each side of the front axle

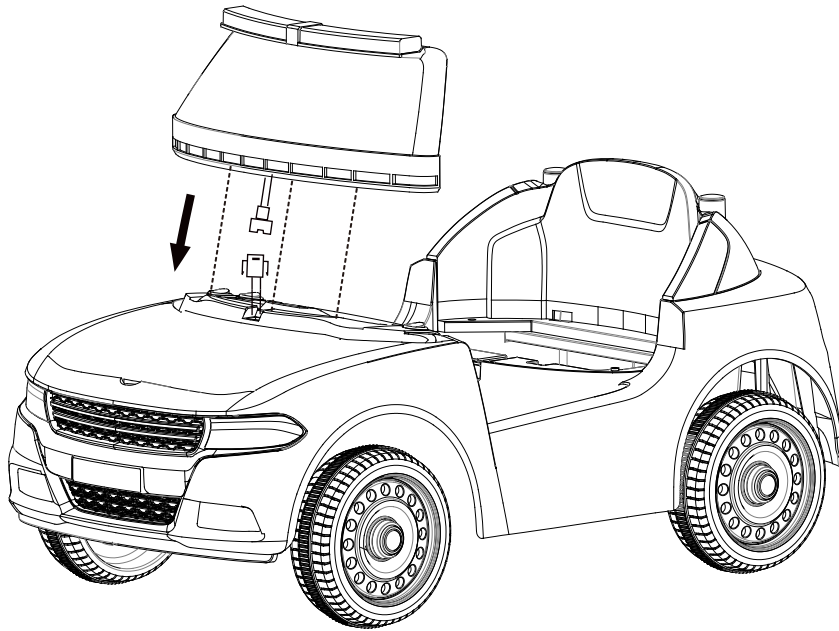
2: Install a gasket on both sides of the wheel, then lock the nut and fix it with an M8 wrench. Finally, clamp the wheel cover



3: Put a gasket, bushing, gasket, wheel and gasket into the right side of the rear axle, then lock the nut, fix it with an M8 wrench, and finally clamp the wheel cover

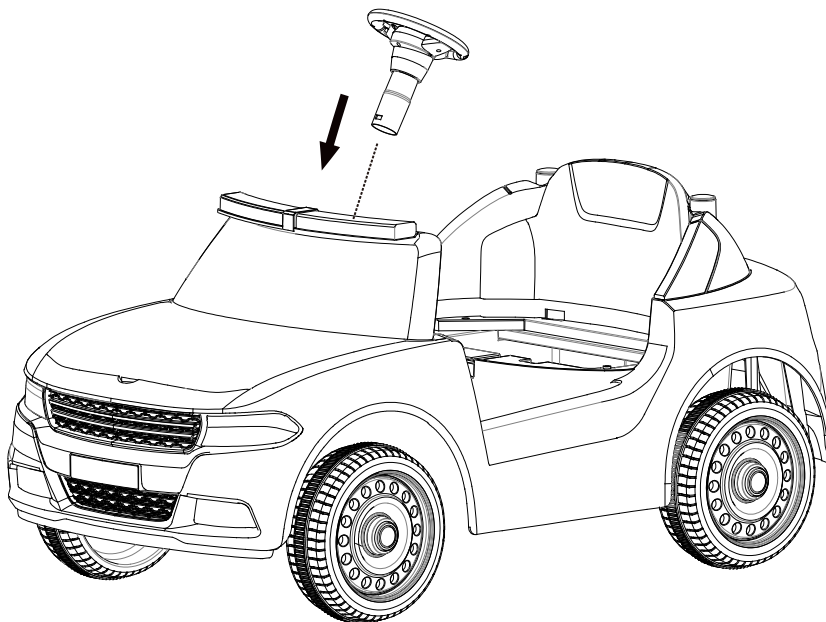
4: Put a gasket, bushing, gasket, wheel and gasket into the left side of the rear axle, then lock the nut, fix it with an M8 wrench, and finally clamp the wheel cover

- 2** 1.First, insert the connecting line, then insert the wind bracket into the corresponding holes of the vehicle body with force, so that the wind bracket and the vehicle body are buckled.(as shown in the figure)

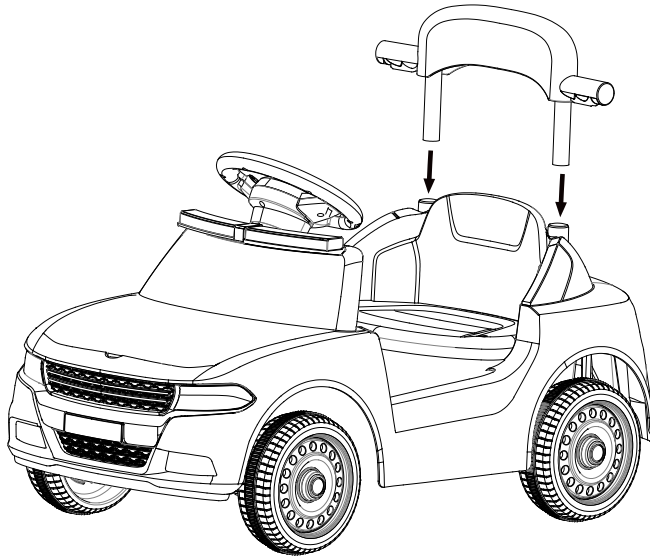


LEAN CARS

- 3** 1.Insert the steering wheel firmly into the corresponding hole of the instrument panel to make the steering wheel and the instrument panel snap together. (as shown in the figure)



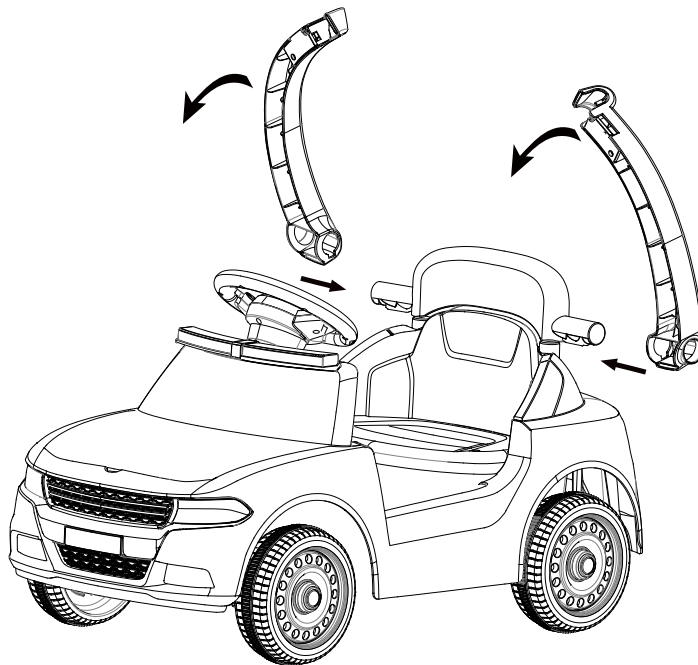
- 4** 1. Clip the armrest back into the seat back slot. The spring shrapnel should be clamped in place



LEAN CARS

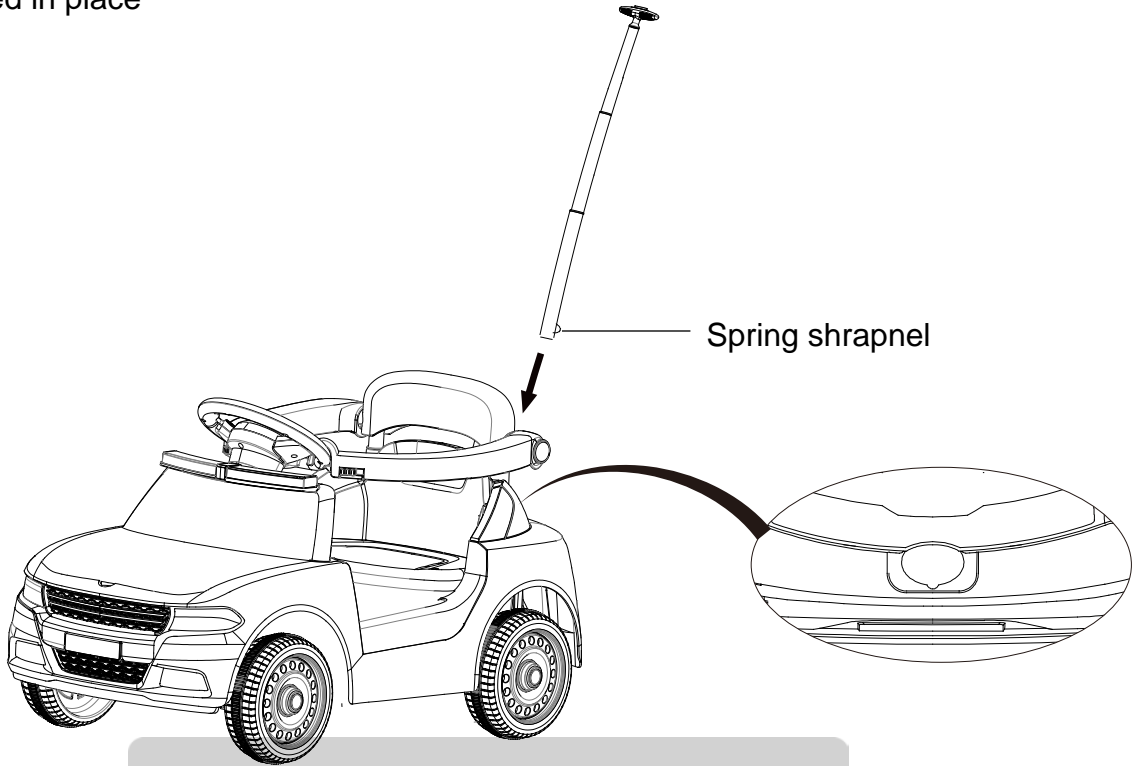
- 5** 1. Clip left and right armrest into armrest backrest and secure to steering wheel

WWW.LEANTOYS.PL



6

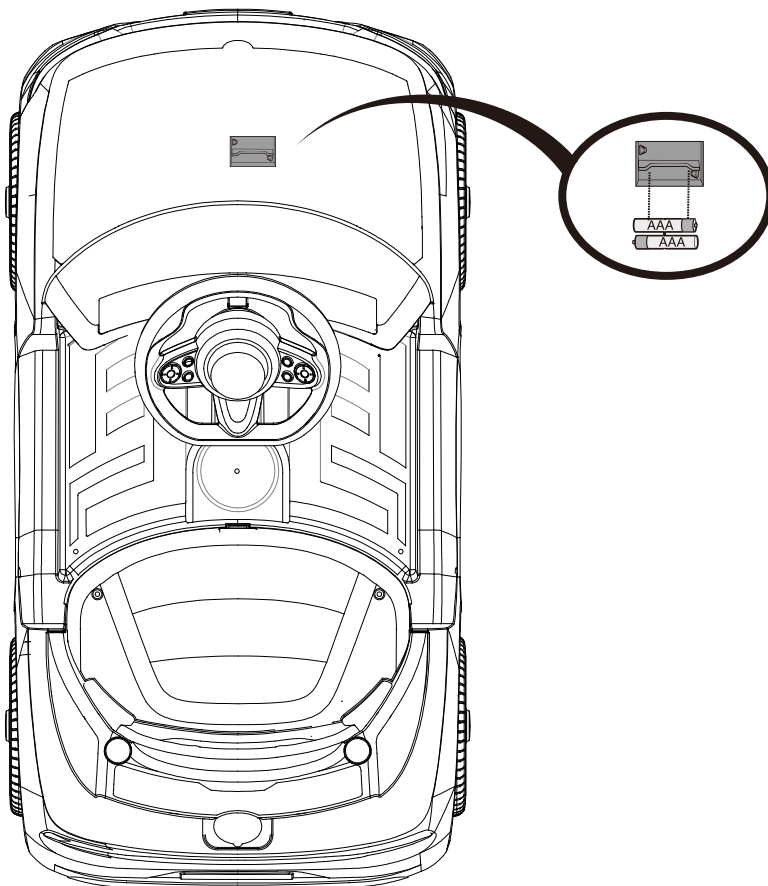
1. Clip the push rod into the push rod groove of the body. The spring shrapnel should be clamped in place



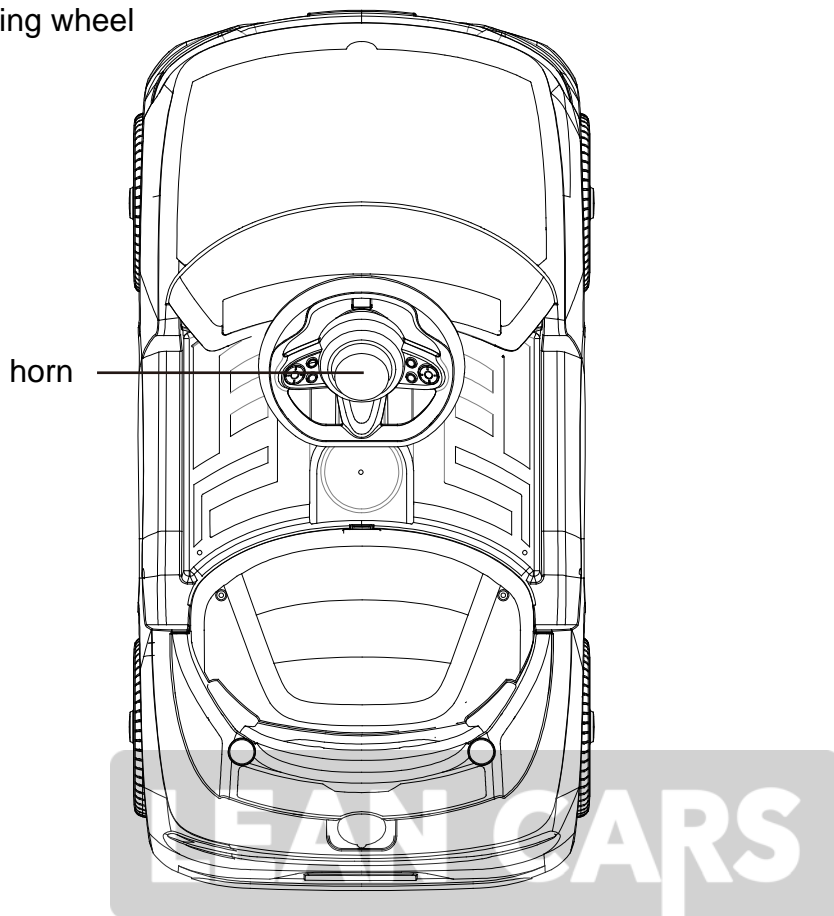
LEAN CARS

7

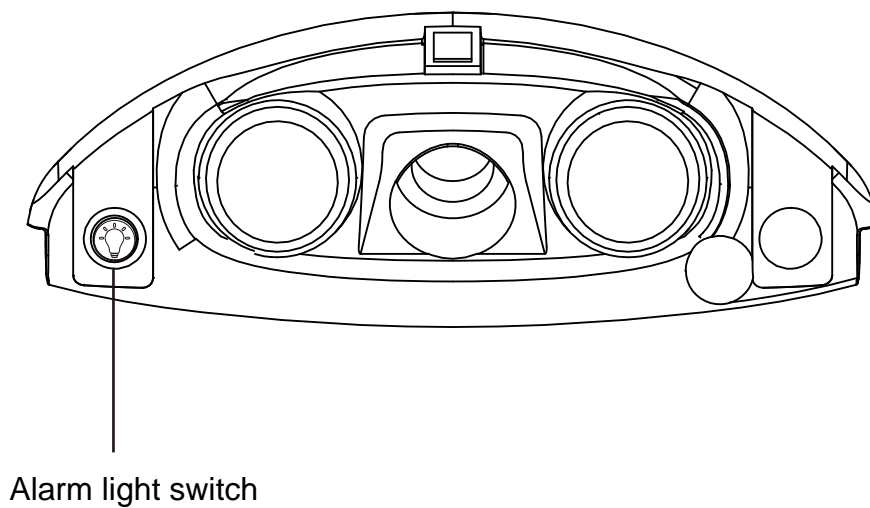
1. Open the engine cover and clip the 2 No.5 batteries into the battery box of the alarm light



8 Steering wheel



9 Instrument cluster functions





WARNING: _____

For your baby to drive safely, you must pay attention to the following warnings:

- The assembly and adjustment of the product must be carried out by adults. Please keep children away from moving parts
- Small parts inside
- Children must use the product under the guidance of adults, and the carer must not leave during use! Do not get close to the fire
- Do not allow children to stand or play on the footboard
- In order to avoid harm to children, please keep plastic bags and other packaging materials away from children! Room breathing danger!
- Do not use any accessories not provided by the manufacturer
- The maximum load-carrying capacity of the vehicle is 20kg, and overload is not allowed
- Applicable age range: 2-4years old

LEAN CARS

WWW.LEANTOYS.PL