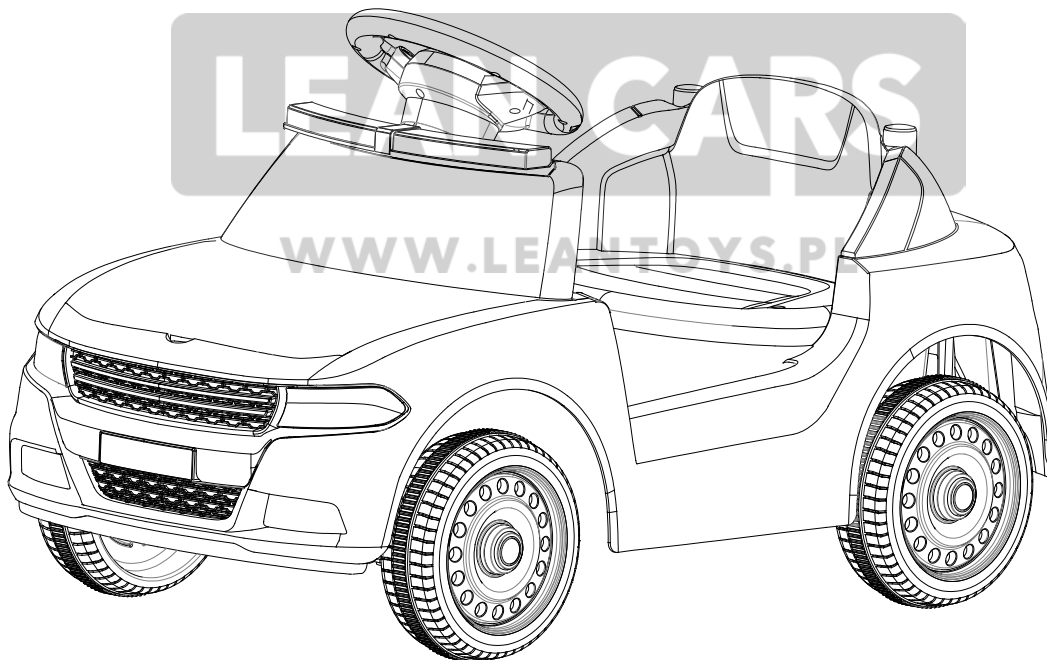


# CH9958A

## Ride on car

### Installation and operation manual

- Forward and backward function
- Alarm light function
- Executive standard: EN71 and EN62115 ; GB6675 and GB19865



Assembly By Adult Only

Please follow real product, Photo for reference only

The picture in this manual is to show the product operation and structure, please follow the real product only if any difference between picture and product happens. There must be chance not to inform you on time to improve the product result from appearance or structure, please be understood.



Please read this manual carefully before play the product, it tells you the right way for operation and install to avoid any possible hurt to your kids. Please keep this manual and put it in a place where is easy to get.

## Specification

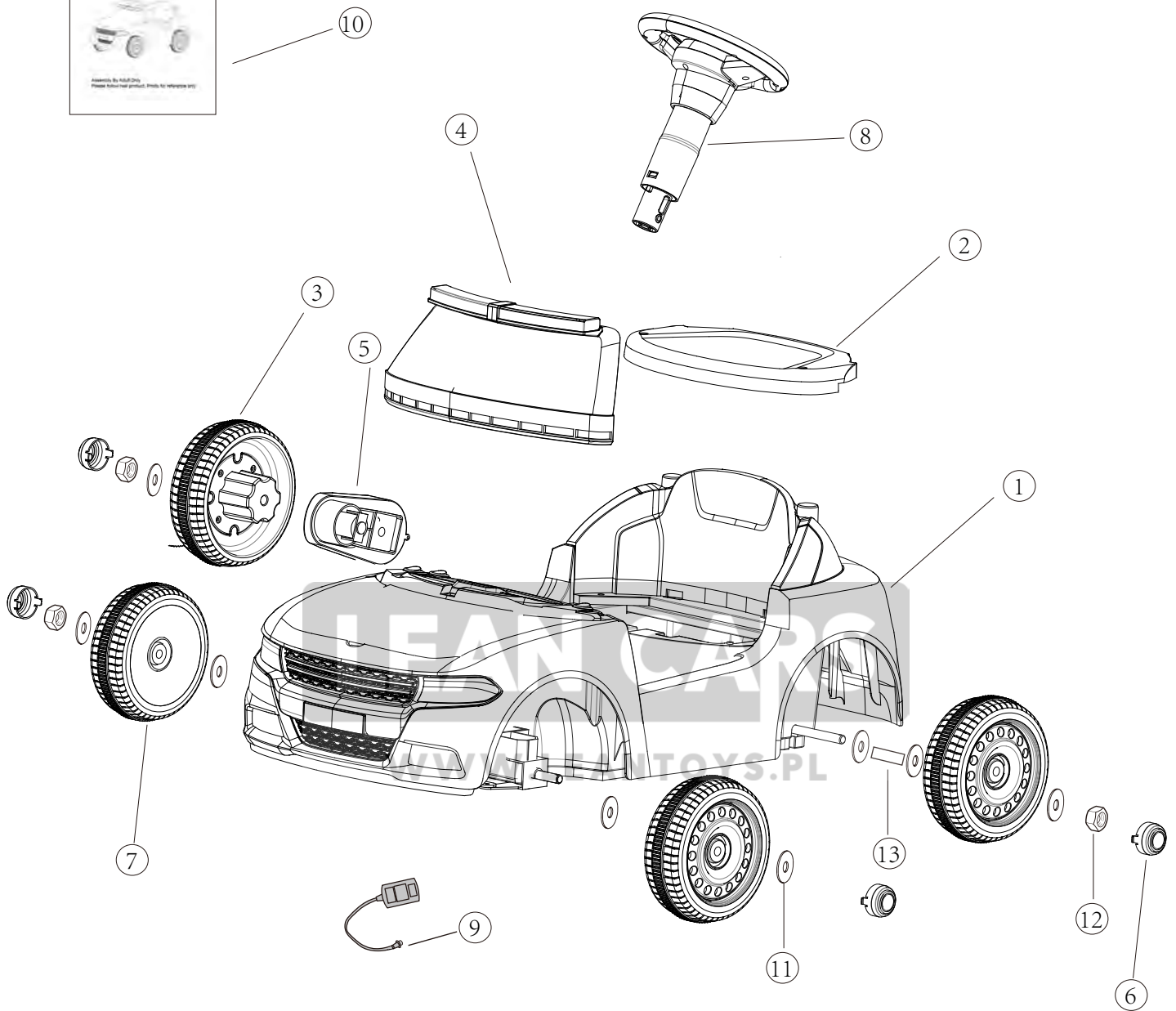
Item	Specification
Batteries	6V
Motor	6V
Age	2-4years old
Max Weight	20KG
Dimension	950×650×460 mm
Speed	1.5-2KM/H
Play Time	1-2 hours / recharger time 8-12hours
Charger	Out Put DC6V

## WAARNING:

The following safety hazards may cause serious injury or death

- 1.Never leave your children unattended
- 2.Be sure to sit on the seat when using this car
- 3.Keep your hands, hair and clothes away from moving parts
- 4.Be sure to wear shoes when operating this car
- 5.Up to one child is allowed to ride in the vehicle
- 6.Only on flat roads
- 7.Do not approach the swimming pool or other water bodies, falling places or steep slopes
- 8.Do not drive into loose soil.Mud, sand, gravel or wet pavement
- 9.Do not drive on the road or near the car

# PARTS

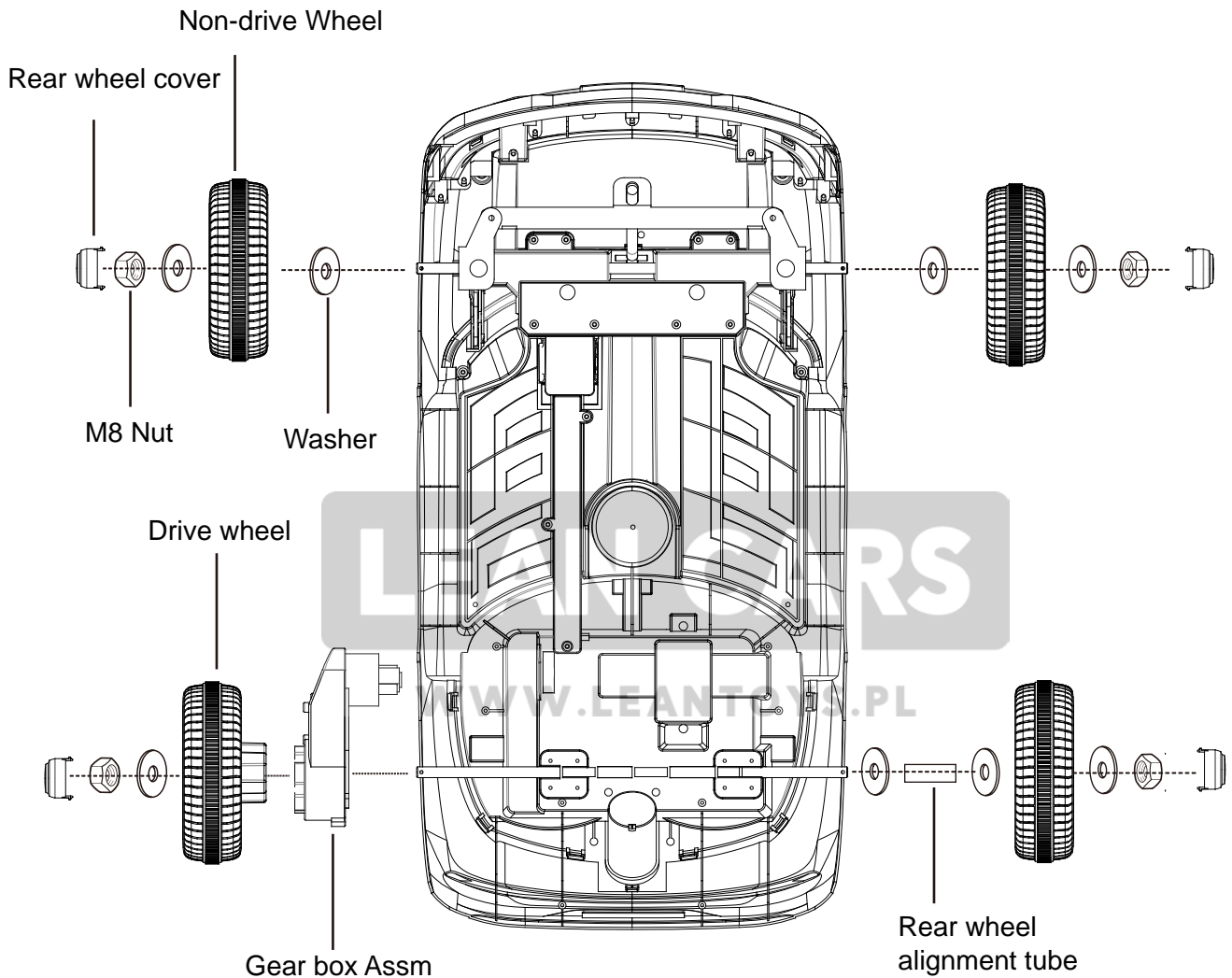


Serial No.	Component Name	Quantity	Serial No.	Component Name	Quantity	Serial No.	Component Name	Quantity
1	Body	1	2	seat	1	3	Drive wheel	1
4	Windshields	1	5	Gear box Assm	1	6	Rear wheel cover	4
7	Non-drive Wheel	3	8	Steering wheel	1	9	Charger	1
10	Manual	1	11	Washer	8	12	M8 Nut	4
13	Rear wheel alignment tube	1						

**1**

1: Install the gasket on both sides of the front wheel shaft, and then install a non driving wheel on both sides of the front wheel shaft.

2: Install a gasket on both sides of the non drive wheel, then lock the nut and fix it with an M8 wrench. Finally, clamp the wheel

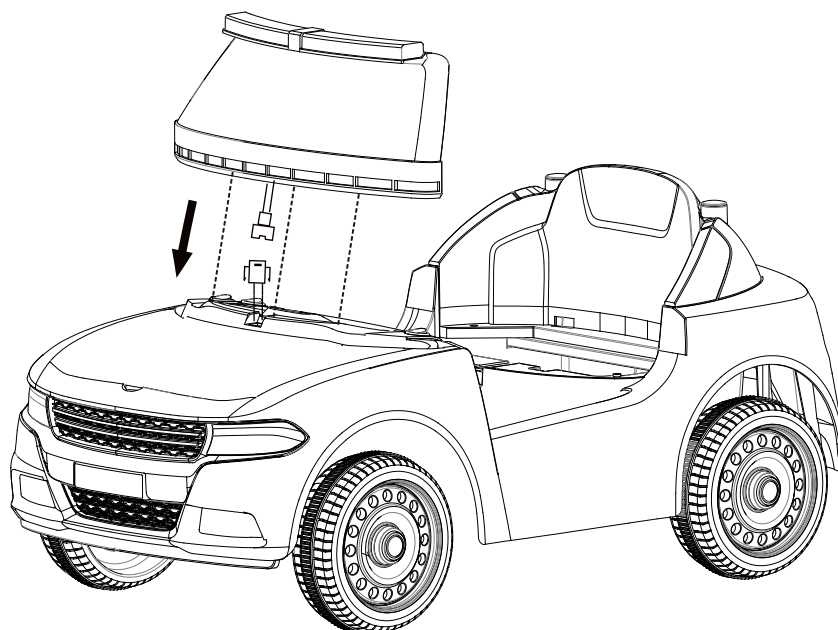


3: Put a gasket, rear wheel alignment pipe, gasket, non drive wheel and gasket into the right side of rear axle, then lock the nut and fix it with M8 wrench. Finally, clamp the wheel cover.

4: Install the drive gearbox on the left side of the body. Drive wheel (The convex tooth side is matched with the gearbox) .Washer. then lock the nut .Fix with M8 wrench. Finally clip in wheel cover.

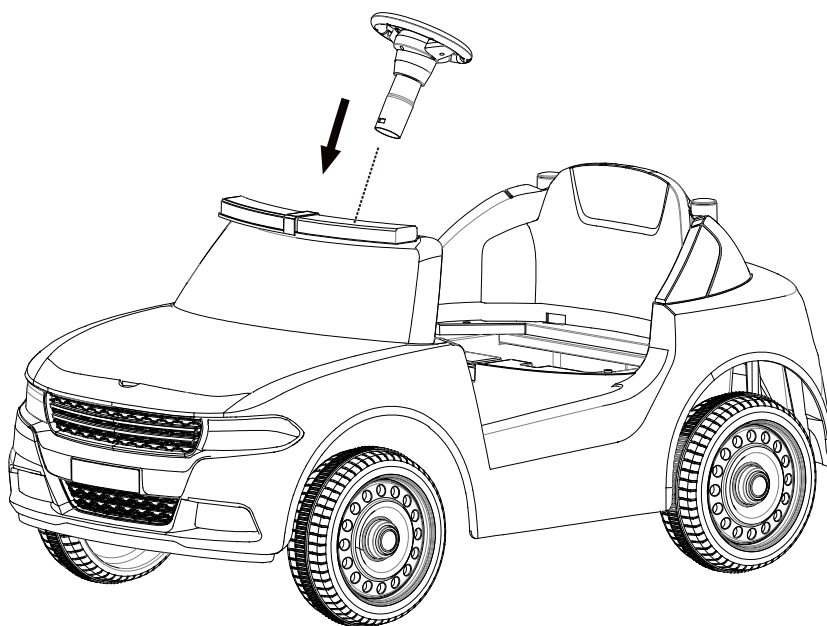
## PRODUCT ASSEMBLY

- 2** 1.First, insert the connecting line, then insert the wind bracket into the corresponding holes of the vehicle body with force, so that the wind bracket and the vehicle body are buckled.(as shown in the figure)

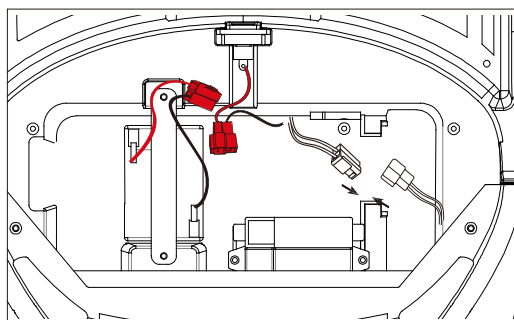
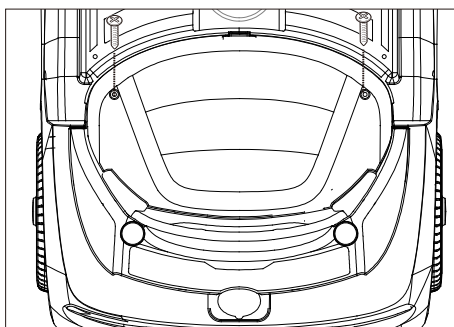


# LEAN CARS

- 3** 1.Insert the steering wheel firmly into the corresponding hole of the instrument panel to make the steering wheel and the instrument panel snap together. (as shown in the figure)

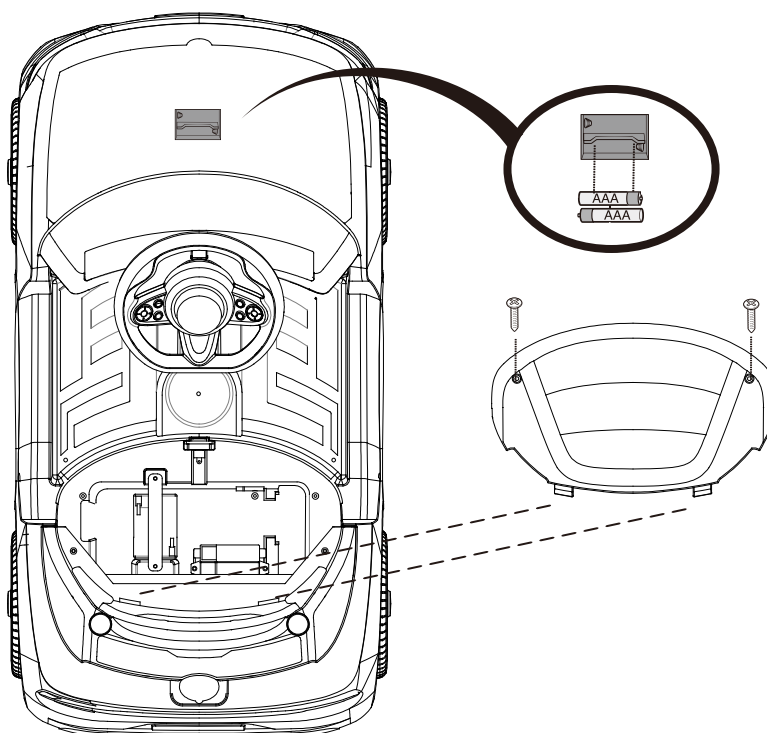


- 4** 1.open the seat. Plug in the battery cable and drive motor cable (red to red. White to white)

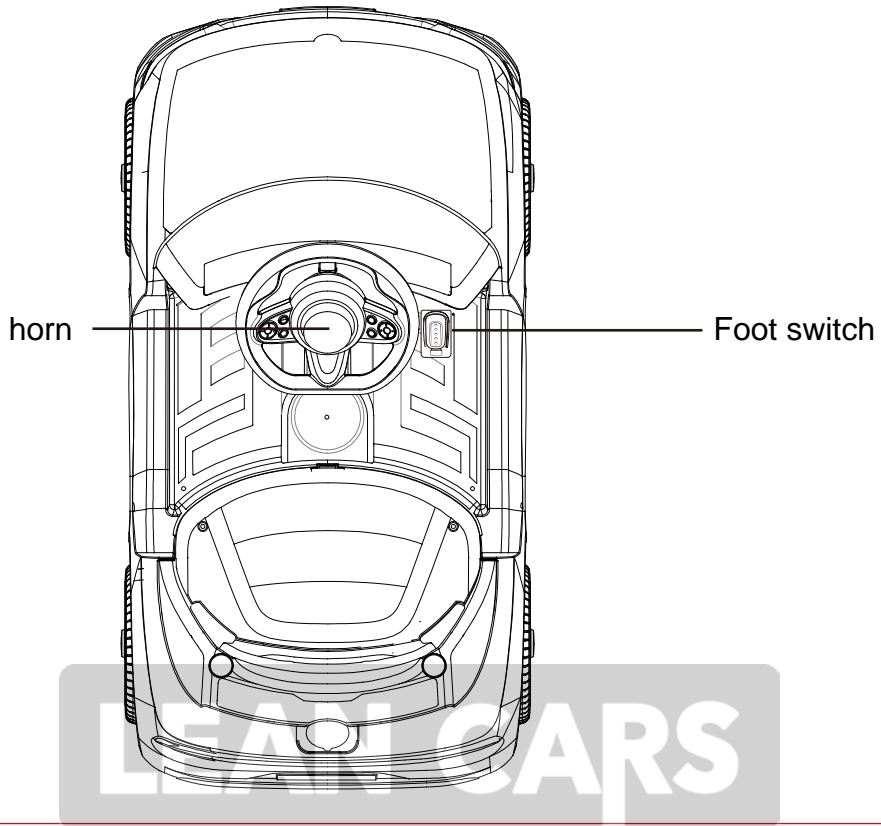


# LEAN CARS

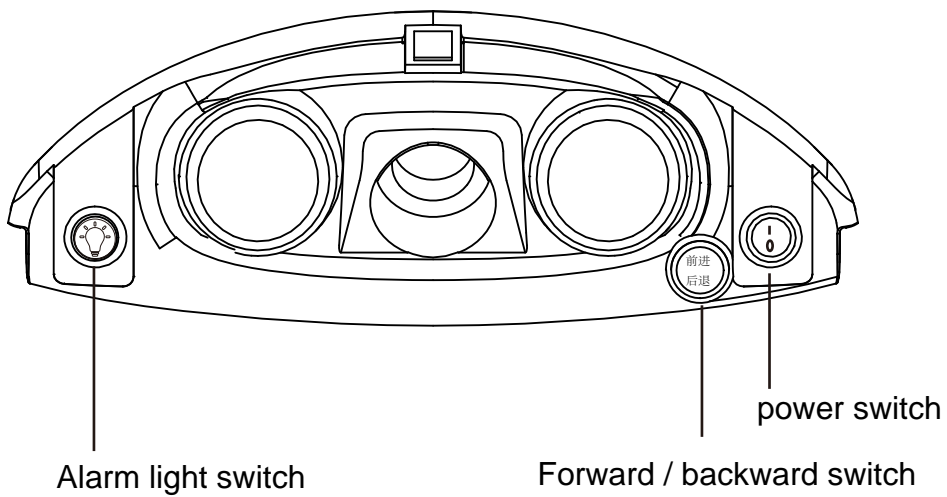
- 5** 1Clip the seat buckle into the corresponding body buckle hole. Then fix the seat with screws.  
2.Open the engine cover and clip the 2 No.5 batteries into the battery box of the alarm light.



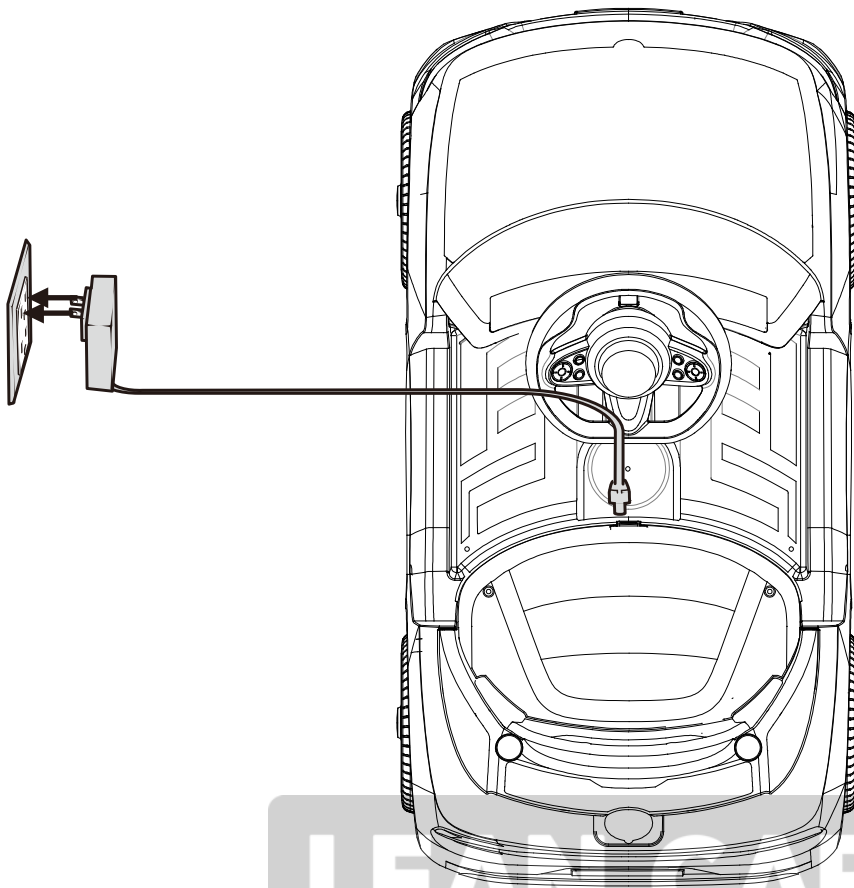
6 Steering wheel drive pedal



7 Instrument cluster functions



## CHARGING INSTRUCTIONS



The charging hole is located in the front of the seat. Insert the Q head of the charger into the charging hole. Insert the other end into the socket

- Charge the battery **15 to 18 hours** before initial use.
- On average, you will need to charge the battery between 8 and 12 hours. Do not charge the battery for more than 20 hours. Failure to charge the battery as directed could cause permanent damage to the battery and void the warranty.
- Damage to the battery may occur if it is allowed to drain completely. Do not allow the battery to drain completely.
- Check the battery and charger (supply cord, connector) for wear and damage before charging. Do not charge the battery if damage has occurred.
- Only an adult who has read and understood the safety warnings should handle, charge and recharge the battery.





## WARNING: \_\_\_\_\_

For your baby to drive safely, you must pay attention to the following warnings:

- The assembly and adjustment of the product must be carried out by adults. Please keep children away from moving parts
- Small parts inside
- Children must use the product under the guidance of adults, and the carer must not leave during use! Do not get close to the fire
- Do not allow children to stand or play on the footboard (or electric vehicle)
- The battery must be charged by adults before using this product
- In order to avoid harm to children, please keep plastic bags and other packaging materials away from children! Room breathing danger!
- Do not use any accessories not provided by the manufacturer
- All batteries shall be inserted with correct polarity
- Do not use the charger as a toy
- The maximum load-carrying capacity of the vehicle is 20kg, and overload is not allowed
- Applicable age range: 2-4years old
- Power terminals shall not be short circuited
- Toys cannot be connected to more than the recommended number of power supplies
- When the vehicle is charging, the toy (vehicle) cannot be operated

**LEAN CARS**

[WWW.LEANTOYS.PL](http://WWW.LEANTOYS.PL)

---

## PRECAUTIONS FOR USE

- When using the electric vehicle for the first time, the battery must be charged for 18 hours, otherwise the battery will be permanently damaged and cannot be repaired
- Before use, please check whether all parts are installed in place and connected firmly
- Do not use in dangerous areas such as streets, roads, slopes, ditches, etc
- Do not use on smooth ground such as marble tile
- Do not switch the forward / reverse switch while the electric vehicle is running. Be careful not to let the child stand on the seat
- It is not allowed to change the circuit and additional live devices of this vehicle
- Electric vehicles shall not be allowed to rain or be used in water. Do not pour water or other liquid on the vehicle or immerse it in water in other ways. Keep away from the fire source to avoid damage to the circuit
- When encountering obstacles, the electric vehicle stops running. Please leave the obstacles before riding.
- Do not use it indoors to avoid damaging furniture or even wrestling children
- This product is limited to one person. It cannot be overloaded. The maximum load is 20kg
- When not in use, please turn off the power switch. When not in use for a long time, please unplug the battery connector.
- Non rechargeable battery is not rechargeable, take out the exhausted battery from the toy
- Do not mix old and new batteries or different types of batteries
- The rechargeable battery should be removed from the toy before charging.

WWW.LEANTOYS.PL

---

## MAINTENANCE

- To protect your baby from accidental injury, please check and maintain the car regularly
- Before loading, please check whether the packing components are complete. If there is any shortage, please contact our company immediately
- Check regularly for damage to loose parts of screws
- When installing or using all parts, please check whether they are in good condition
- Please clean the product regularly, and be careful not to damage the original electric appliance
- When disassembling and assembling, please carefully follow the operation manual to avoid unnecessary damage.
- Please check the product and charger regularly to see if the wire, plug and other parts are damaged. If there is any damage, stop using until it is repaired.