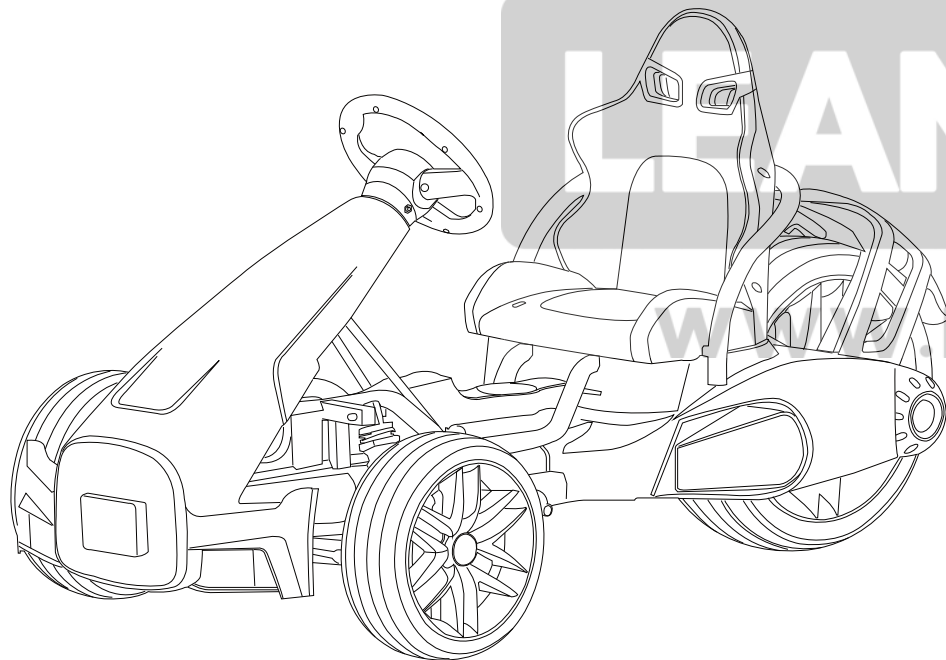


# CH9939

## Baby Ride On Car

### Install & Operation Manual

- Simulation F1 car styling
- Pedal forward, backward function



Assembly By Adult Only

Please follow real product, Photo for reference only

The picture in this manual is to show the product operation and structure, please follow the real product only if any difference between picture and product happens.

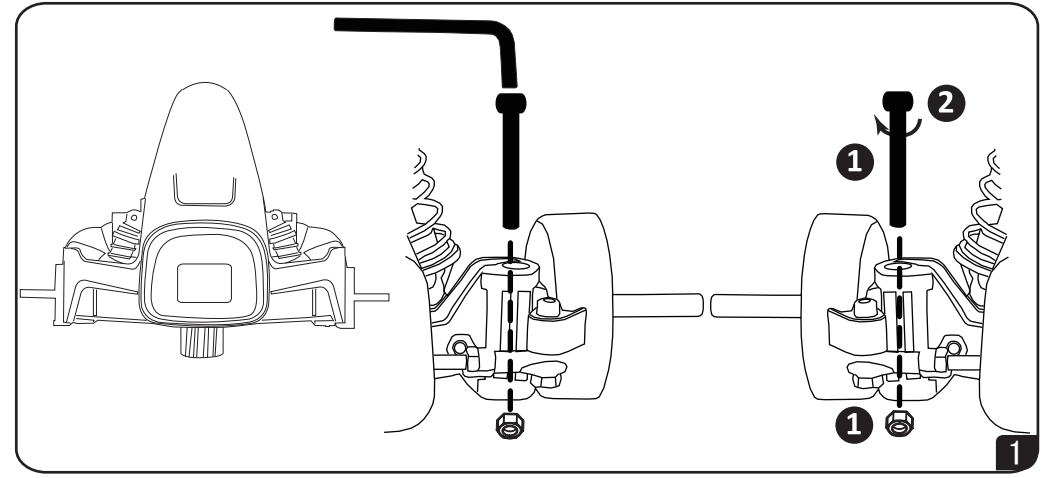
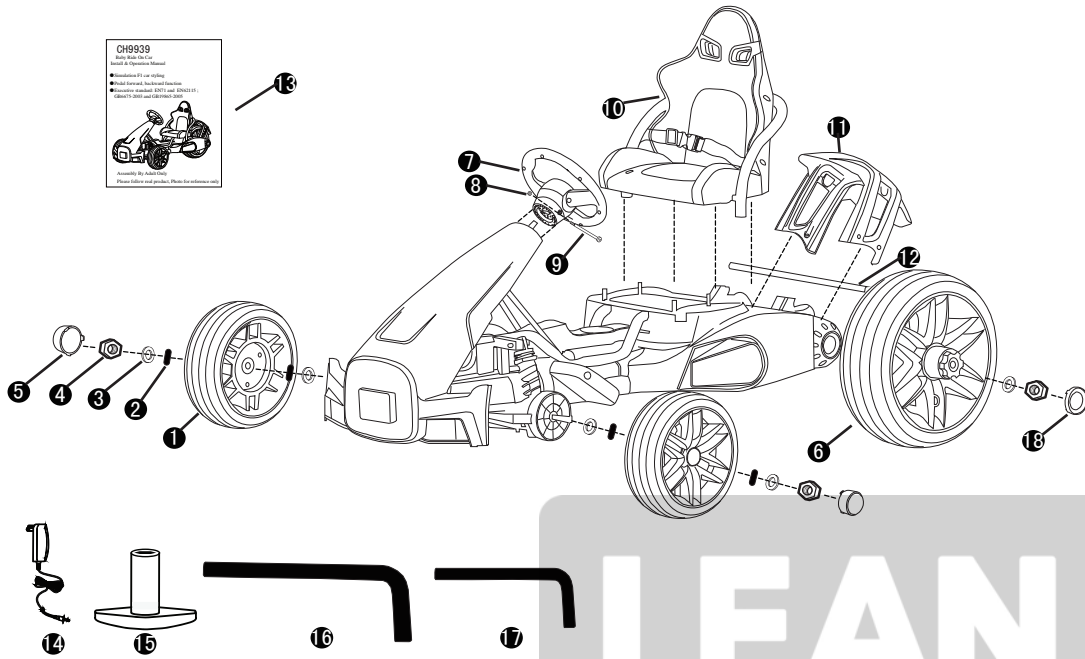
There must be chance not to inform you on time to improve the product result from appearance or structure, please be understood.

⚠ Please read this manual carefully before play the product, it tells you the right way for operation and install to avoid any possible hurt to your kids. Please keep this manual and put it in a place where is easy to get.

#### Specification

Item	Specification
Batteries and fuse	Oouble drisve(12V7A,12V10A)Reversible fuse
Motor	Double drive 12V 35W(drive)
Age	3-8 years
Max Weight	35KG
Dimension	1260*593*603mm
Speed	high speed 5km/h low speed2.5km/h
Play Time	1-2 hours / recharger time 8-12hours
Charger	Out Put DC 12V

⚡ All the data above is for customer selection, please follow the real product finally.



1. Install turning metal parts

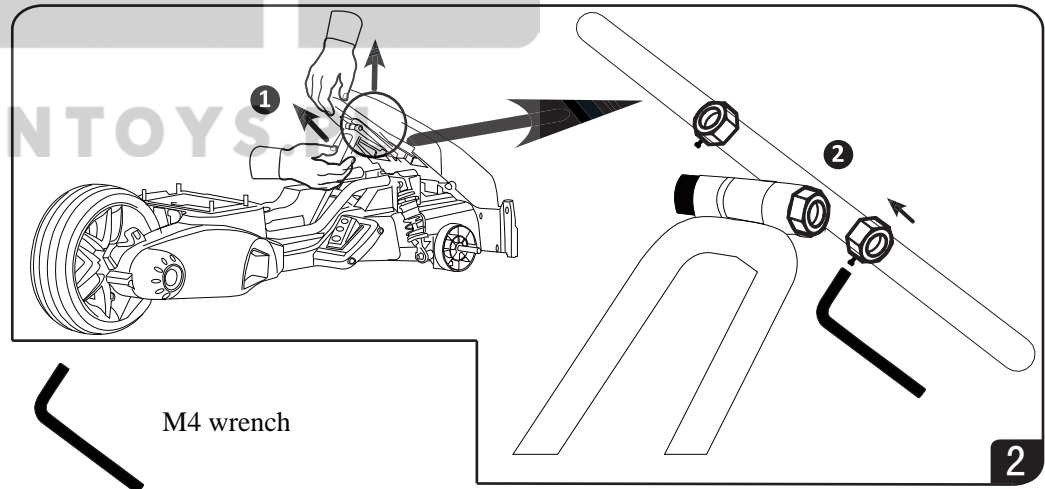
Put on M8\*55 rod ,nut as step ①

Tight it by M6 wrench as step ②

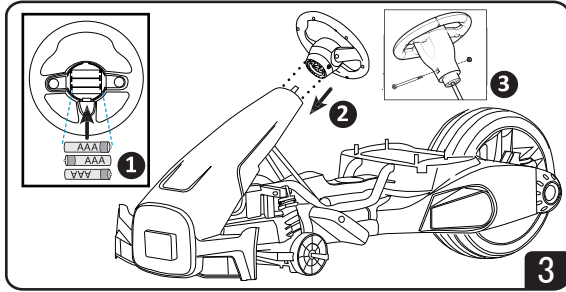
M6 wrench

M8\*55 rod

NO.	ACCESSORY NAME	QUE.	NO.	ACCESSORY NAME	QUE.	NO.	ACCESSORY NAME	QUE.
1	Front wheel	2	7	Steer wheel	1	13	Manual	1
2	Axle bearing	4	8	M5 Anti-slip nut	1	14	Charger	1
3	Washer	6	9	Mr rod	1	15	M10 Nut Wrench	1
4	M10 Anti-Slip nut	4	10	Seat	1	16	M6 Wrench	1
5	Front wheel hub cap	2	11	Rear defend	1	17	M4 wrench	1
6	Rear wheel	1	12	Rear axle	1	18	Rear axle hub cap	2

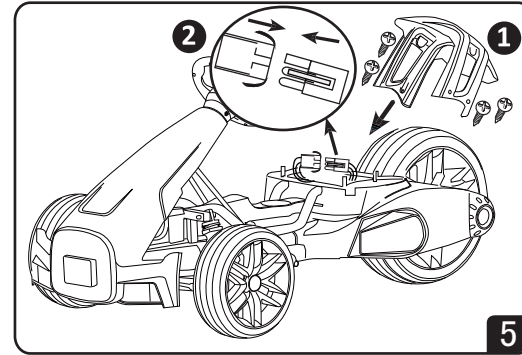


2. Take out the protection foma in the front head, then use one hand to lift the head as PIC ① use another hand to lift the metal tube to the top,fix the tube by PIC ② show, finally tight it by M4 wrench tool



3. Install steer wheel cell battery

Put in 3\*AAA cell battery (Customer buy themself) into steer wheel, and put on the battery cover, then install the steer wheel as PIC 2 finally tight by rod, nut as PIC 3

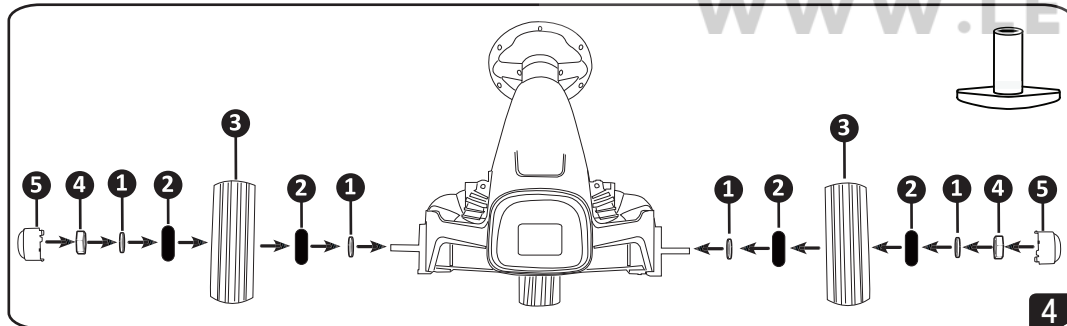


5. Install the rear defend as arrow, Tight it by 4pcs M4\*12 Umbrella screw. PIC 1

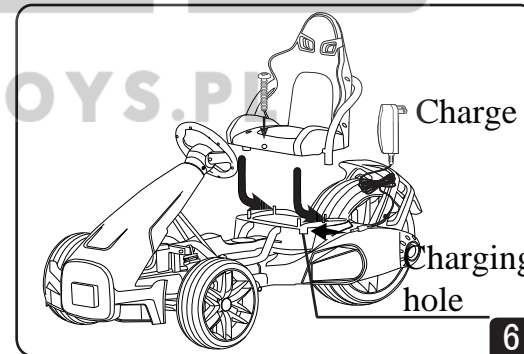
Connect the wire as show. PIC 2



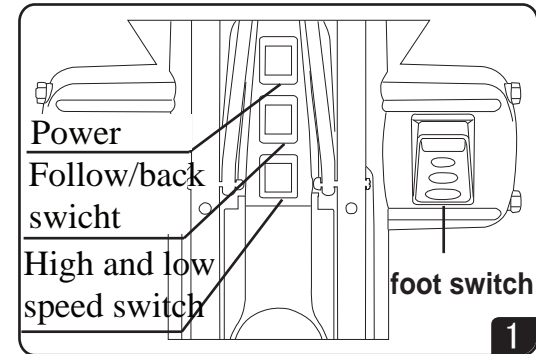
WWW.LEANTOYS.PL



4. Put on washer,axle bearing,wheel and nut as picture show, tight it by wrench tool,finally put on the front wheel hub cap.



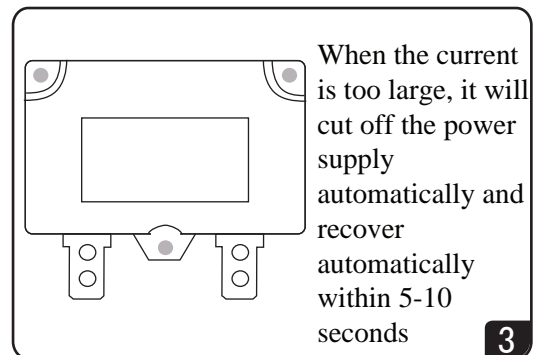
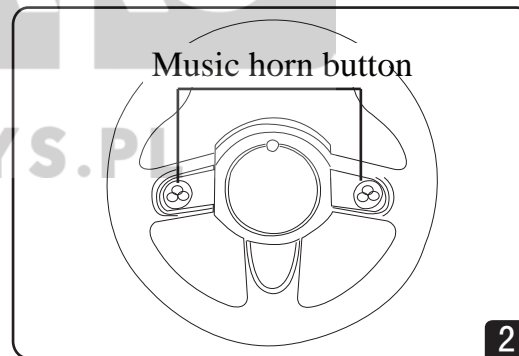
6. in the direction of the arrow installation hook cushion, seat cushion alignment card slot on the body, be forced to cushion a push backward direction, and then put the seat down, installed, and then M5\*18 screw with pad lock. Charging hole in the seat bottom left, [function] no charge state of vehicle



1. power switch function: start the whole car power supply.
2. foot switch function: start the whole vehicle movement state.
3. forward, backward switch function: control the vehicle forward, back.
4. high and low speed switch function: control the speed of the vehicle.

LEAN CARS

WWW.LEANTOYS.PL



## Failures and Solutions

Failures	Possible Reasons	Solutions
The motorcycle doesn't work	<ol style="list-style-type: none"> <li>1. The batter voltage is too low;</li> <li>2. Electric protection;</li> <li>3. The switch hasn't been turned to the right position;</li> <li>4. The battery connectors go off;</li> <li>5. The battery is damaged;</li> <li>6. The electric equipments are is damaged;</li> <li>7. The motor is damaged</li> </ol>	<ol style="list-style-type: none"> <li>1. Fully charge the battery;</li> <li>2. Stop for several minutes and then re-start the motorcycle;</li> <li>3. Operate according to the function explanation;</li> <li>4. Re-plug in;</li> <li>5. Replace it with a new battery;</li> <li>6. Repair it at the maintenance service center;</li> <li>7. Repair it at the maintenance service center;</li> </ol>
The battery cannot be charged	<ol style="list-style-type: none"> <li>1. The battery connectors fall off;</li> <li>2. The charger hasn't been connected to the power supply;</li> <li>3. The charger is damaged;</li> </ol>	<ol style="list-style-type: none"> <li>1. Re-plug in;</li> <li>2. Re-connect to the power supply firmly;</li> <li>3. Replace the charger;</li> </ol>
Short cruising distance per charge	<ol style="list-style-type: none"> <li>1. The battery is not fully charged;</li> <li>2. The battery is worn out</li> </ol>	<ol style="list-style-type: none"> <li>1. Recharge the battery fully;</li> <li>2. Replace the battery;</li> </ol>
Slight noise and heat during charging	<ol style="list-style-type: none"> <li>1. Chemical reactions</li> </ol>	<ol style="list-style-type: none"> <li>1. Normal reactions</li> </ol>
Slow speed	<ol style="list-style-type: none"> <li>1. Worn battery;</li> <li>2. Dead battery;</li> <li>3. Overloading;</li> <li>4. Uneven road surface;</li> </ol>	<ol style="list-style-type: none"> <li>1. Replace the battery;</li> <li>2. Recharge the battery fully;</li> <li>3. Reduce the load to be under 35kg;</li> <li>4. Drive on even road;</li> </ol>
Big noise of the gear	<ol style="list-style-type: none"> <li>1. The gear is damaged;</li> </ol>	<ol style="list-style-type: none"> <li>1. Repair at the maintenance service center</li> </ol>
The motorcycle vibrate during its moving process	<ol style="list-style-type: none"> <li>1. Poor contact of motor connection wires;</li> <li>2. There are dead point(s) on the motor;</li> </ol>	<ol style="list-style-type: none"> <li>1. Re-connect well;</li> <li>2. Repair at the maintenance service center</li> </ol>
No sound rings during the movement of the motorcycle	<ol style="list-style-type: none"> <li>1. Fail to plug in the connectors of the steering wheel;</li> </ol>	<ol style="list-style-type: none"> <li>1. Please connect according to the manual;</li> </ol>
The motorcycle cannot be stopped	<ol style="list-style-type: none"> <li>1. The electrical equipment is damaged;</li> </ol>	<ol style="list-style-type: none"> <li>1. Repair at the maintenance service center</li> </ol>

## Warning

Please do pay attention to following notices for the purpose of your baby's safe driving experience:

- The motorcycle must be installed and adjusted by adults and make sure your kids are kept from the moving components of the motorcycle.
  - This motorcycle is not applicable for kids of and younger than 3 years!
  - Kid's application of this motorcycle must be under the instruction of adults and the caregivers can never leave the kids unattended during the operation of this motorcycle!
  - Do not make or allow the kid stand or play on the foot rest (or the electrical motorcycle)!
  - The accumulator must be charged by adults! Please do charge the battery before using the motorcycle!
  - In order to prevent damages to the kid, please do keep the packing materials such as the plastic bags away from the kid! Be careful of suffocation!
  - Any using of components provided by other suppliers than the manufacturer is forbidden!
  - Do install all the batteries in correct electrodes!
  - Do not play the accumulator as a toy!
  - Maximum load capacity of the motorcycle is 35kg! Please do not use it under overload condition!
  - This motorcycle is applicable to kids aged 3-8 years!
  - The power-supply terminals shall be shorted!
  - The motorcycle cannot be connected to the power supplies with quantity going beyond that recommended.
    - Must with the protection device, can't use as traffic tools.
    - This toy without braking device.
    - Shall use with regard to recommended protective equipment(helmet,gloves,knee-pads,elbow-padsetc.)
- Considerations for Charging:**
- Make sure the accumulator has been charged for 18 hours for the first time of charging, or the accumulator will be impaired permanently and such impairment cannot be recovered!
  - Plug the DC pin into the charging jack firstly when charge the accumulator and then plug the accumulator into the power socket. The toy (the whole motorcycle) cannot be operated under the condition of charging.
  - Please charge the battery timely after each one hour of application and the normal charging duration shall be 8-12 hours and shall never go over 20 hours.
  - The charger and accumulator may feel some hot (under 60°C) during the charging process and it is the normal phenomenon.
  - The battery cannot be charged if any water is detected to be lying inside the connectors, or a short circuit will appear.
  - Do use the charger and accumulator specially designed for the motorcycle in order not to damage the charger and the accumulator or make the electric equipment shorted.
  - Do charge the motorcycle at least once a month when it will be kept away from using for long time.

## Consideration for Application of the Motorcycle

---

- Make sure the accumulator has been charged for 18 hours for the first time of application, or the accumulator will be impaired permanently and such impairment cannot be recovered.
- Make sure all the components have been well mounted and tightly connected before using the motorcycle.
- Do not operate the motorcycle at dangerous areas such as on the busy street, road, slopes or ditches;
- Do not operate the motorcycle at roads with smooth surface, such as marble or tilts.
- Do not shift the Forward/Backward switch during the moving of the motorcycle. Do not make or allow your kid stand on the seat.
- Never change the wire circuit of the motorcycle or add any electrical equipment onto it.
- The motorcycle will stop moving when encounter any barrier, please do steer clear of the barrier before driving again.
- Do not use the motorcycle in door in order not to crack up furniture or make kids fall over.
- Please cut off the power supply if the motorcycle is not in service; please take off the battery connectors if the motorcycle will not be used for long time.

### WARNING

- must with the protection device, can't use as traffic tools.
- this toy without braking device.

✂ Important: All the pictures, functions and introduction data here in the manual are for reference only, please do take the physical product as the standard!

- Do not mix old and new batteries.
- Do not mix alkaline, standard(carbon-zinc), or rechargeable batteries.

## Repair and Maintenance

---

- Please examine and maintain the motorcycle frequently in order to keep your kids from suffering any unexpected hurt;
- Make sure all the components are available before mounting and contact us immediately if any component is missed.
- Check whether any screw is loose or any component is damaged at regular intervals.
- Do check and confirm all the components are in good work condition when you are mounting or using such components.
- Do clean the motorcycle at regular interval and be careful not to damage the electrical equipment pieces.
- Please closely refer to the operation manual when dismantling the motorcycle in order to prevent any unnecessary damage.
- Do check the product and its charger at regular intervals and make sure the wire, socket, outer shell and other components are all in good work condition. Do stop using the damaged component (if any) before such component is well repaired.