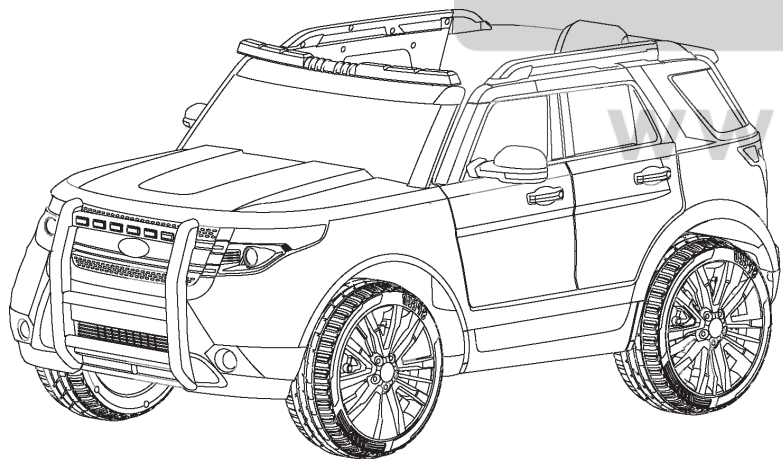


# CH9935

## CHILDREN'S ELECTRIC TOY CAR INSTALLATION AND OPERATING MANUAL


- Real car design
- Remote control
- Music steer wheel
- (Selection) Volume adjust, Mp3, Radio, Flash light
- Swing , Flash Wheel (Selection)
- Executive standard: EN71 and EN62115 ;  
GB6675-2003 and GB19865-2005



The vehicle must be assembled by an adult who has read and understands the instructions in this manual. Keep instructions for future reference.


The figures used in this manual aim to illustrate the method of operation and that shown in illustrations, the product in kind shall prevail.

In order to improve product quality, part of the product structure and appearance is subject to change without prior notice.

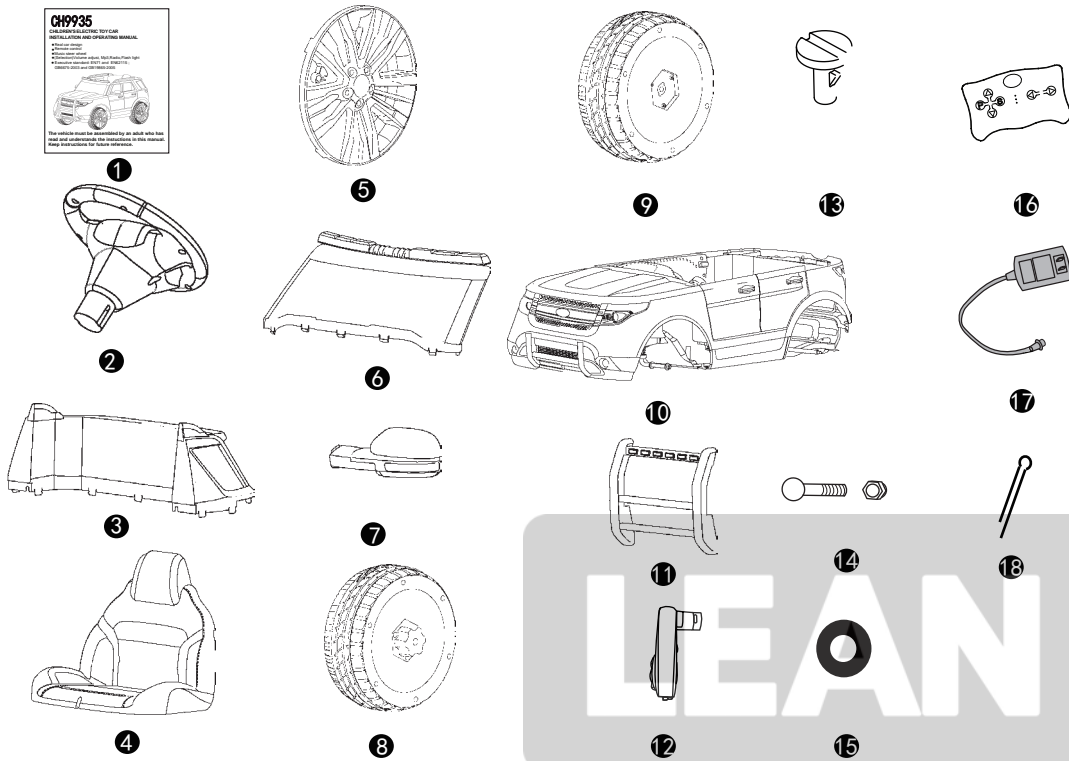
 Before using this product, please carefully read the manual, and the manual describes correct methods of operation and installation procedures, in order to avoid any damage to the product or any injury to your children arising out of incorrect methods of operation. This manual should be kept and placed in an easily accessible place.

### Specifications

Name	Specifications
Battery	Single-drive(6V7AH,6V10AH) Double-drive(12V7AH,6V10AH,12V10AH)
Motor	Single/Double-drive 6V/12V 6V/12V(steering)
Available ages	Children at 36-95 month
Maximum weight	35KG
Size	1200 x763 x 552 mm
Speed	High speed:3.6KM/H Low-speed:2.3KM/H
Using time	working for 1-2 hours,once charged for 8-12 hours
Charger	Output: DC6V 12V

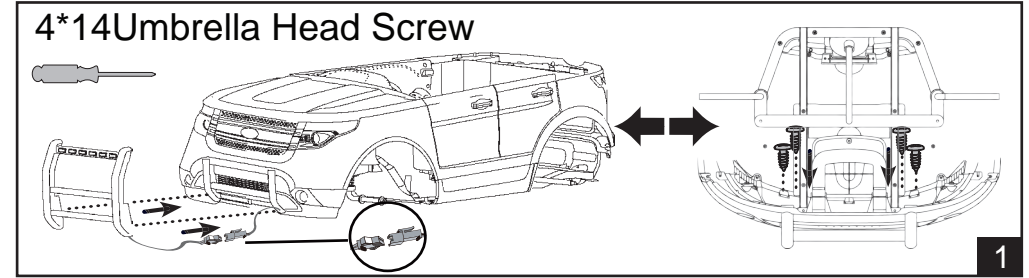
 The above parameters are optional only, and the actual parameters are subject to product in kind.

## List of Parts

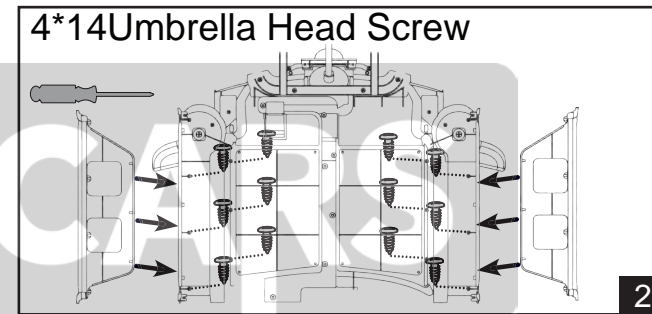


No.	Name of parts	Qty	No.	Name of parts	Qty	No.	Name of parts	Qty
1	Manual	1	8	Wheel hub	4	15	Car body	1
2	Door L/R	2	9	Rear mirror	2	16	Washer	8
3	Wind shield	1	10	Seat plate	1	17	Nut M5	1
4	Steer wheel	1	11	Side wheel ASSM	1	18	Remote control	1
5	Seat	1	12	Handle bar	1	19	Charger	1
6	Wheel	4	13	Seat nut	1	20	Pin	3
7	Seat back	1	14	550 motor	1	21		

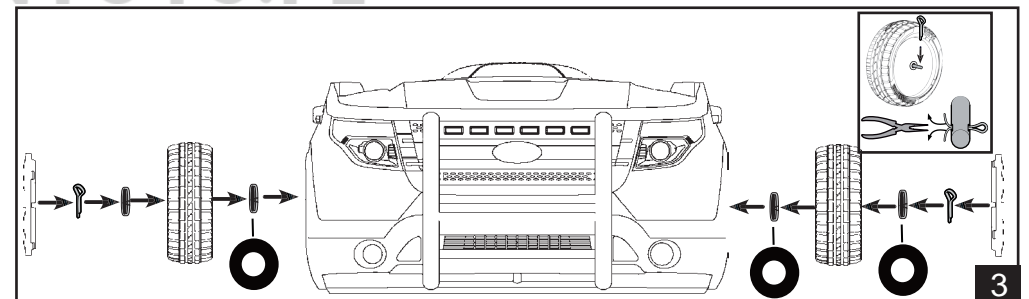
## Install Step



1. Connect the police light wire of front defend and body wire in advance, then push in the defend as arrow show, turn over the car, tighten it by screw (PIC1)



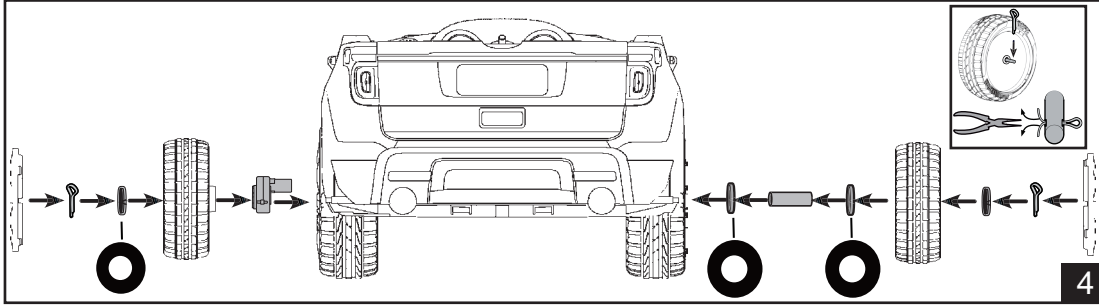
2. After the install of defend, take on the L/R frame as arrow show, tighten it by screwdriver (PIC2)



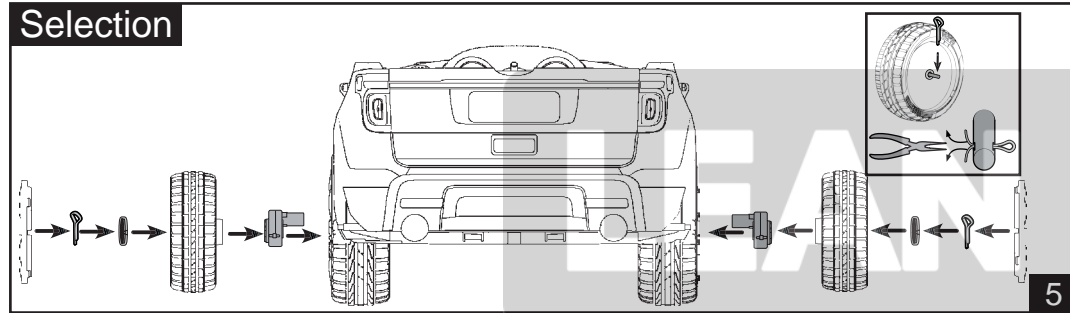
3. Put on the washer, front wheel, pin as arrow shown, finally take on wheel hub (PIC3)



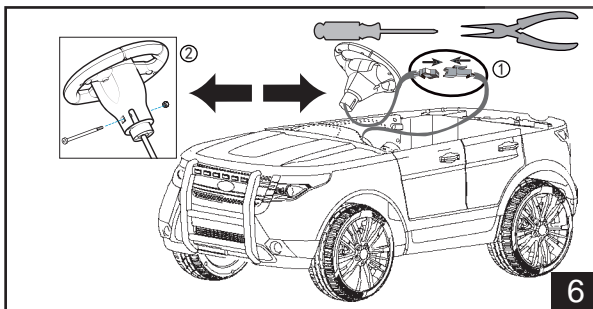
## Install Step



4. Put on the washer , motor, insert tube, rear wheel, pin, finally take on the wheel hub (PIC4)

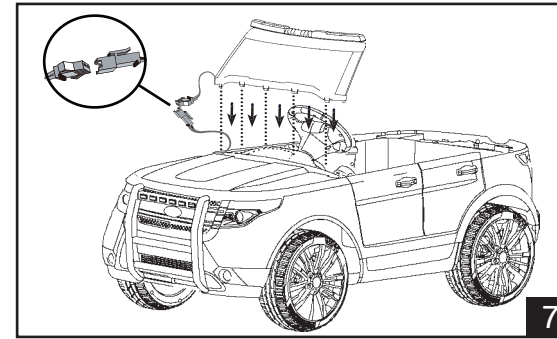


5. Put on the motor, washer, drive wheel, pin, finally take on wheel hub (PIC5)

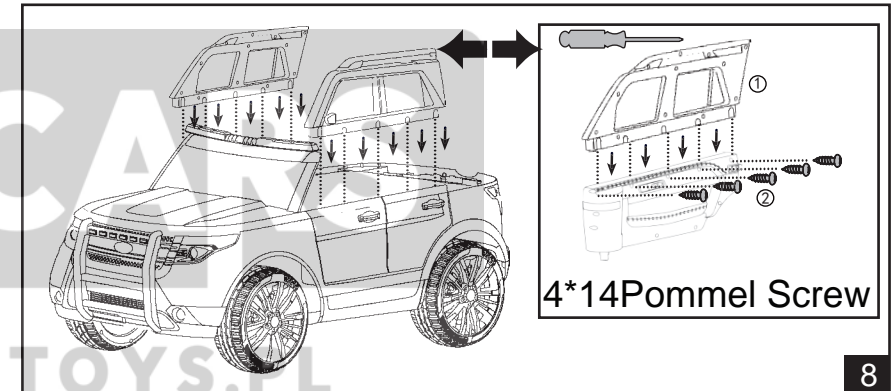


6. Connect the steer wheel wire and body wire in advance, then put on the steer wheel on truning rod, finally tighten it by rod and nut (PIC6)

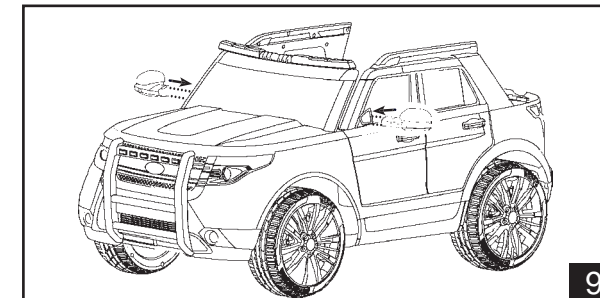
## Install Step



7. Connect the body wire and police light wire in advance, then push the window shield as arrow show. (PIC7)

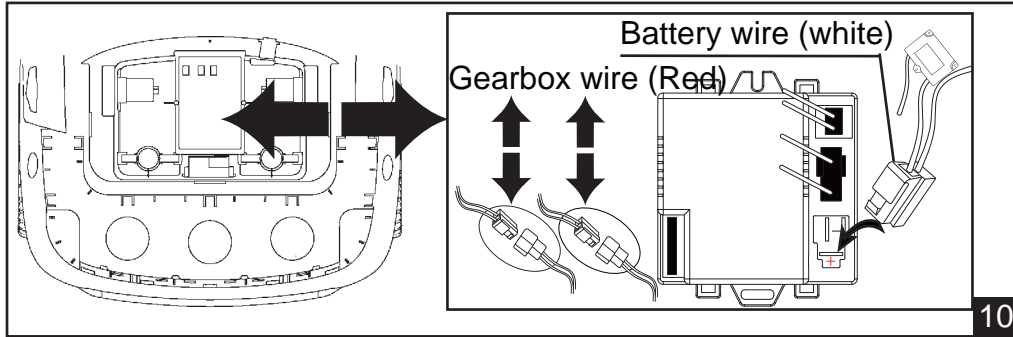


8. Push the door as arrow show, then tighten it by screw. Step 1.2 (PIC8)

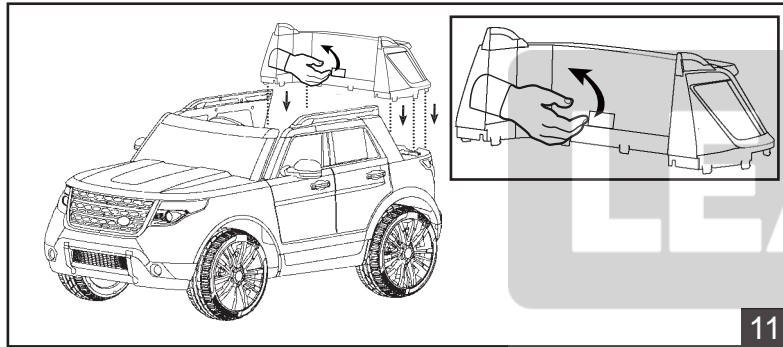


9. Put on the rear mirrow as arrow show, click in on position (PIC9)

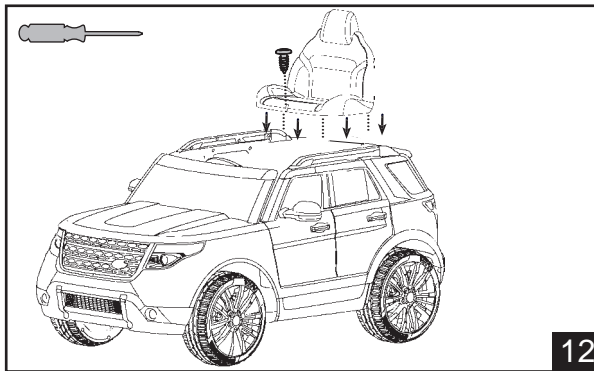
## Install Step Instruction



10. Connect the battery wire and gear box wire as show (PIC 10)

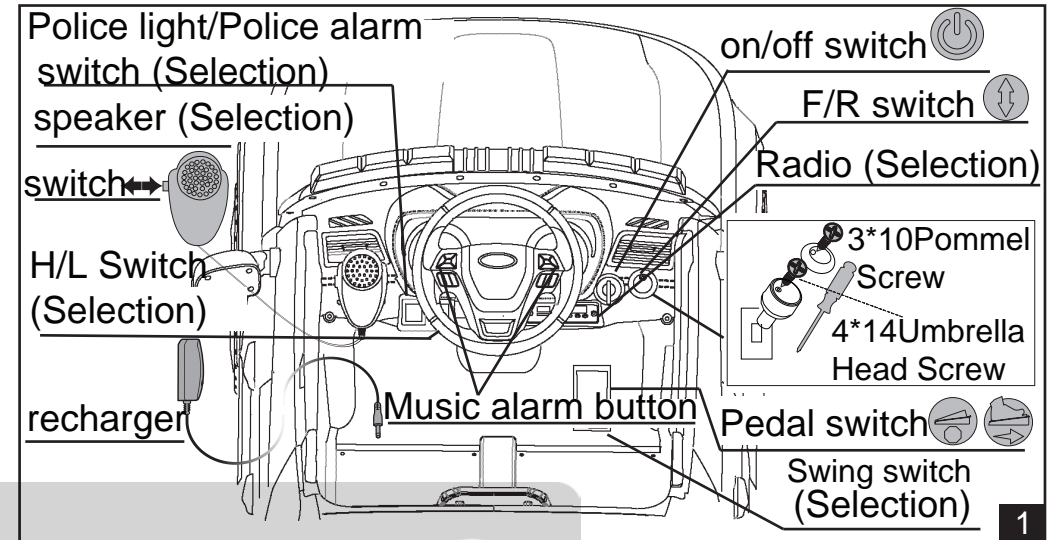


11. Put on the seat back as arrow, click it on position by hand (PIC 11)



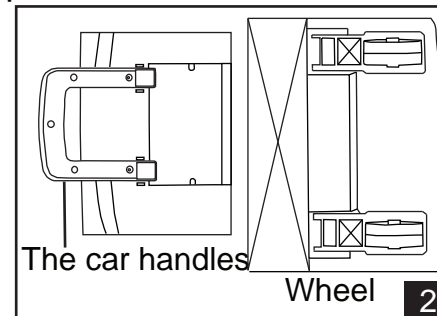
12. Put on the seat as arrow show, make sure the two hook in the back into slot in advance, then tighten the seat by screw (PIC 12)

## Instruction



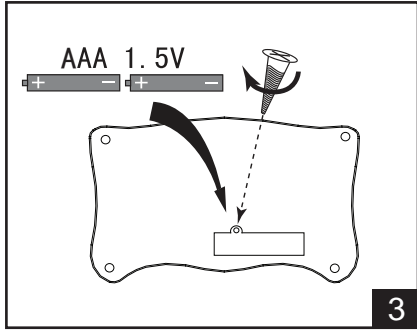
13. Batter recharger: (PIC1)

Please recharge the battery when it's exhaust. Recharger socket is under seat. (Note: The car doesn't work during recharger. Battery recharger should be done under adult supervision). Recharer battery should be taken out from toy. Press the speaker button, (This function is selection). Press on/off to control power, operate pedal switch to control car move forward & revise.



14. When the car can't run because of battery exhaust, pull out the handle bar under the car, and take out the small wheel, which easy to carry out. (PIC 2) (Warning: Don't put on the kid on car during carry)

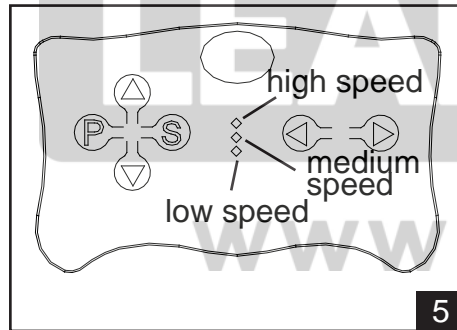
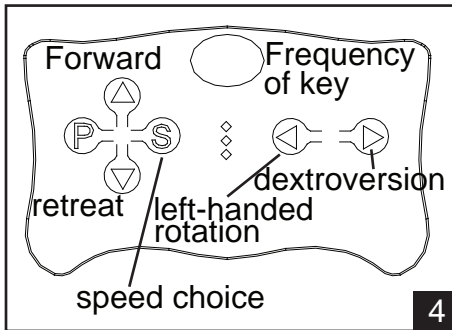
## 2.4 G remote control instructions



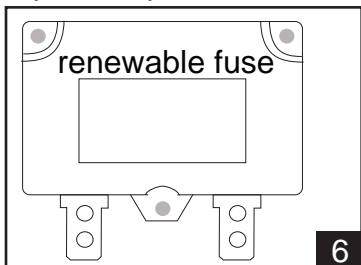
1. Install RC cell battery and exchange:(PICTURE 3)  
Buy 2\*AAA1.5V cell battery,open the battery cover by screw driver,put in the battery then close the cover. Note:When the battery is exhausted, please exchange new cell battery as above step

### 3 WARNING:

- All batteries should be inserted with the correct polarity.
- Non-rechargeable battery should not be charged, please remove any running-off battery from the toy.
- Do not use old and new batteries together, or mix different types of batteries.
- Power terminals should not be short-circuited
- Any rechargeable battery must only be charged under adult's supervision.  
Rechargeable batteries should be removed from the toy before charging.



2. RC /CAR frequency match(Picture 4.5) Step 1:Take out RC,put the cell battery Step 2: Long press the match button at 2-4 seconds,light will flash Step 3: Start the car, if the flash light on RC is always on, it shows frequency match success; Step 4: If last step failure, please close the car power, repeat step 1-2-3



## Troubleshooting

Type	Causes	Solutions
The car doesn't move.	<ol style="list-style-type: none"> <li>The battery voltage is too low;</li> <li>Electrical protection;</li> <li>The switch isn't operated properly;</li> <li>The battery connectors drop off;</li> <li>Abnormal battery;</li> <li>Electrical damage;</li> <li>Motor failure;</li> </ol>	Charge the batteries fully; Stop for a few minutes and restart ; Reinsert; Replace with a new battery; Contact maintenance personal for further repair ; Contact maintenance personal for further repair ;
The battery can't be charged	<ol style="list-style-type: none"> <li>The battery connectors drop off;</li> <li>The battery charger isn't powered on ;</li> <li>The charger is damaged;</li> </ol>	Plug in again; Plug in again; replace the charger;
Short working duration	<ol style="list-style-type: none"> <li>The battery runs off;</li> <li>The battery is out of service life;</li> </ol>	Fully charge the battery; Replace the battery;
Slight noise and heat during charging process	<ol style="list-style-type: none"> <li>Normal chemical reactions</li> </ol>	Normal;
Slow running speed	<ol style="list-style-type: none"> <li>The battery is out of service life</li> <li>The battery runs off</li> <li>Overload</li> <li>Uneven pavement</li> </ol>	Replace the battery; Fully charge the battery again; Reduce weight to 35kg or less; Operate on a flat ground;
Gearbox noise	Gear damage	Contact maintenance personal for further repair
Jitter during moving process	<ol style="list-style-type: none"> <li>Poor contact of motor cable.</li> <li>Short-circuited motor.</li> </ol>	Reconnect; Contact maintenance personal for further repair;
The car runs without voice	1. Steering wheel connector is not plugged properly	Reconnect in accordance with the Manual
The car can't stop	1. Electrical damage	Contact maintenance personal for further repair;



## WARNING

---

- For safe driving, please kindly pay attentions to the following warning matters:
- The product must be assembled and adjusted by adult, please keep children away from moving parts.
- The product doesn't apply to 36-month and younger children due to internal small parts!
- During driving, a child must be fixed by seat belt properly. Do not close to any fire!
- Any child must be supervised by adult while using the product and such the adult caregiver should not leave during driving process.
- Do not allow your children to stand or play on the food pedal or in the electric car.
- The battery must be charged only by adult. Please charge the product before using!
- To avoid any harm to children, please keep plastic bags and other packaging materials away from children! Such the materials may cause suffocation!
- It is prohibited to use any parts from other manufacturers.
- The charger should not be played as a toy.
- The vehicle maximum load weight is 35 KG, and please do not use on overload.
- The product applies to children at 36-95 months;
- The toy should not be connected to excessive powers (more than the quantity specified herein), and it should not be operated during charging process.
- must with the protection device, can't use as traffic tools.
- this toy without braking device.
- Please keep the package and manual as record

### Instructions for remote controller batteries

- All batteries should be inserted with the correct polarity.
  - Non-rechargeable battery should not be charged, please remove any running-off battery from the toy.
  - Do not use old and new batteries together, or mix different types of batteries.
  - Power terminals should not be short-circuited
  - Any rechargeable battery must only be charged under adult's supervision.
- Rechargeable batteries should be removed from the toy before charging.

### Precautions for charging

---

- Before the initial using, the electric car batteries must be charged for 18 hours, thus to avoid permanent damage to the battery, otherwise, they will not be repaired.
- Insert the charger DC plug into the charging jack, and then plug the charger in power socket.
- After the product is operated each hour, it should be promptly charged, the normal charging time is 8-12 hours, and each charging time should not exceed 20 hours.
- In the charging process, it is a normal phenomenon the battery or charger becomes hot (less than 60 centigrade):
- Connect; when any water exists in the car, it is prohibited to charge, or it may cause short circuit.
- Only the original charger and battery with electric car must be charged or used to avoid any damage to the charger, battery, or short circuit.
- When the electric car is standby for a long time, it should be charged at least once a month.

## Precautions for operations

---

- Before using, please check if various components are mounted properly and connected solidly.
- Do not operate in any streets, roads, slopes, ditches and other hazardous environment.
- Please do not operate on any smooth ground, such as marble and tiles.
- Do not switch between forward and backward during the moving process of electric car; do not allow your child to stand on the seat.
- Please do not modify the car's circuit or mount any additional eclectic device. Remote controller, and electric car should not be exposed to the rain or used in the water, Do not pour water or other liquids in the car or soak in water in other improper operating manner; please keep away from the fire source, in order to avoid circuit damage.
- When any obstacle appears, remove your child from the electric car, until the car goes cross the obstacle.
- Do not operate the product indoors to avoid furniture damage and children injury.
- When the remote controller battery is lack of power, the vehicle will be remotely controlled to move forward only, but not rightward / leftward, and the remote control distance becomes short, and the car is jittered, etc., please immediately replace the battery! When the acousto-optic battery is lack of power, the sound and light functions will be disenabled, but other functions are still normal.
- Replace the acousto-optic batteries immediately. The product should be only rided by one person, and can't be overloaded; the maximum load is 35 KG. after using, please turn off the power switch; if it is to be standby for a long-time, the battery connector should be unplugged.
- Notes: The product images, features, and content are used only for reference, and the product in kind shall prevail.

### Maintenances

---

- To prevent your baby from accidental injury, please inspect and maintain the car regularly.
- Please check if the attached components are complete, and please don't hesitate to contact us ASAP if find loss of quantity.
- Regularly check existence of any loose screws and damaged parts.
- Each component should be checked before installation or use,
- As for disassembly, please operate carefully in accordance with the manual, thus to avoid unnecessary damage.
- Please regularly check if the product and the charger are in good conditions, if any wires, plugs, and housings are damaged; any damaged should be replaced and repaired to intact.
- The product should be periodically cleaned, and please do not clean it with water thus to avoid any damage to electric elements; the product should be cleaned with a dry cloth.