

Instruction for installation and use of BRD-7588 BEIRUIDOR baby carrier

Standards:

EN 71-1:2014-Mechanical and physical properties

EN 71-2:2011+A1:2014-Flammability

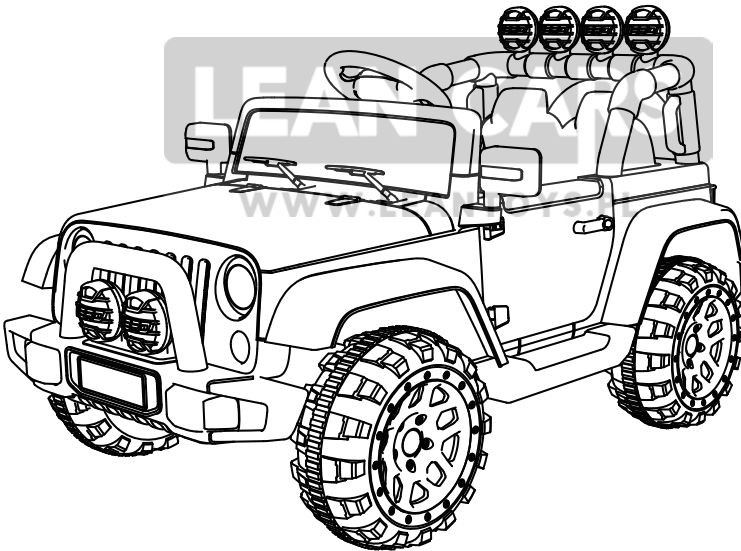
EN 71-3:2013+A1:2014-Migration of certain elements

2005/84/EC- Determination of phthalate content

EN 62115:2005/A12:2015-Safety of electric toy

ASTM F963

- fast/slow selection
- multifunction remote
- 2.4 slow boot
- USB media play



Instructions to be read before use

Remember to keep the instruction for further reference

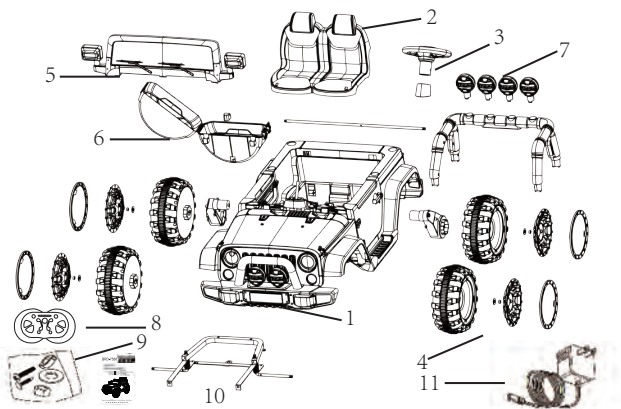
We sincerely hope our product could bring happiness to your kid and accompany your children for a joyful childhood. One extraordinarily crucial thing before using this product is to read the instructions carefully. It will tell you detailed installing steps and the right way to use it. It will also teach you how to avoid operation mistakes, so that you won't break this product and harm the rider. The most important thing is that it will tell you many attention rules that will keep you safe. Please remember these items and guide them to your children. Please keep it appropriately and put it in the place where you can acquire easily.

Specification

	Dual-wheel
Accumulator	6V 4.5Ah*2 12V 4.5Ah*1
Motor	RS550PH-12V PRM4000, RS390SP-12V RPM16000
Charger	Input AC220V-240V 50HZ-50HZ Output DC12V1A
Load limit	30KG
Using time	1-2hours after charging
Speed	3-3.5KM/H
Age limit	37-95months
Remote distance/remote battery	15+-5M/ AAA1.5V*2
Size	110*66*51CM
Gross weight	16KG
Net weight	14KG
Body material	PP

Matters need attention when charging

- Before the first use of the car, make sure the battery has been charged more than 4-6 hours, or the battery would be damaged permanently and cannot be repaired. (The charging process has to be operated by adults)
- When the battery is low, please charge it in time. Normally the charging hour is 8-12 hours, but do not charge it more than 15 hours.
- It is normal that the battery jar emits heat (below 60 centigrade), but when the temperature is too high, you should examine whether the recharging process is short-current.
- Only chargers and battery equipped by this car can be used. Chargers and battery jars of other brand are strictly prohibited. Or the charger and battery might be damaged.
- The car cannot be operated when charging.
- New/old and different kinds of batteries cannot be used together.
- Please check the circuit when the car is charging.
- When the product is packed away or will not be used for a long time, you have to fully charge the battery and charge it once every month to guarantee the life of the battery.
- The charger and battery are not toy. Children should not be allowed to play with them.



1	Body	1	5	Windshield	1	9	Screw pack	1
2	Cushion	1	6	Trunk	1	10	Instruction	1
3	Steering wheel	1	7	Rear searchlight	4	11	Charger	1
4	Wheel & wheel cover	4	8	Remote	1			

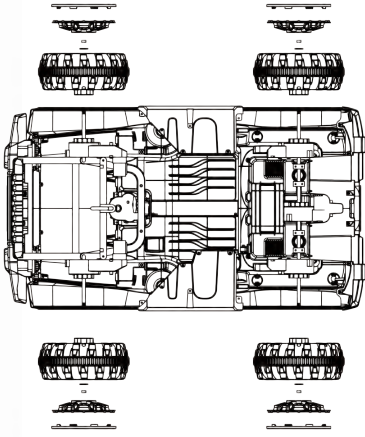
Attention: Please check the vehicle accessories before assembling!
Warning!

- This product is only for 3-8 years old children.
- The assembling and charging process could only be operated by adults. Before use, please check whether all the part are installed well to position and connected tightly.
- This car cannot be used on dangerous places like streets, roads, slopes and raceways.
- This car should only be rode under adult's supervision.
- Do not change the structure, line and additional electrical devices without permission.
- Do not switch the forward/backward frequently.
- Examine the product and charger regularly to see whether the parts are becoming old or dropped off. When damage is found, the product should be stopped using until fixed.
- Only rechargeable batteries can be used.
- Batteries can only be interposed in right poses.
- Rechargeable batteries should be taken out before used-off.
- Positive and negative poles short circuit is strictly prohibited.
- Rechargeable batteries should only be charged by adults; when playing this car, the distance between the car and an adult cannot be more than 10 meters.
- Children cannot stand in the car.
- The car is outfit with seat belt. Make sure the child has fastened it.

Warning!

when change the gear, please make sure the car is completely stopped. Or it will damage the gear case and motor.

Assembling steps



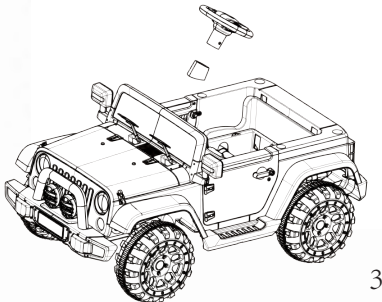
1: Installing front/rear wheel

- Put the baby carrier body up down, then press the salient point on the wheel. Connect wheel with rear axle, and then put them into corresponding net on the rear wheel. (refer to figure 1)



2: Installing windshield frame

- Put the bayonet into the corresponding net. When hearing the 'click' sound, the bayonet is in place.



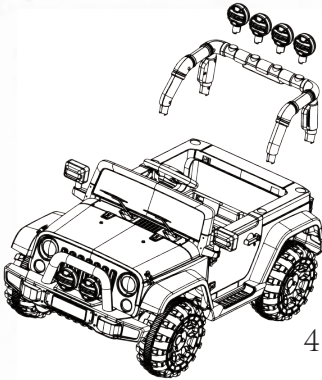
3: Installing view mirror

- Put the view bayonet of view mirror into the corresponding net. (please refer to figure 2)

4: Installing steering wheel

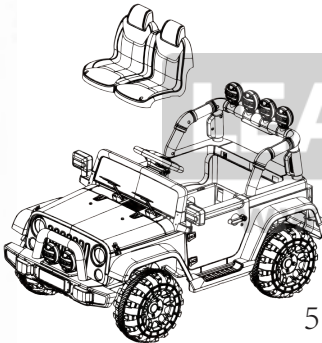
- Connect the circuit on the steering wheel to that of steering tube (pay attention to the direction). Make sure the hole on the steering wheel is lined with the steering tube, then screw in the M5 inorganic screw. (please refer to figure 3)

Assembling steps



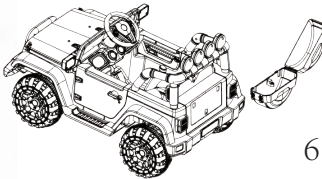
5: Installing rear searchlight & safe fencing

- Assemble safe fencing by 4*10 screws first, and then put the bayonet of the searchlight into the corresponding net. Finally, put the bayonet of fence into the net. (please refer to figure 4)



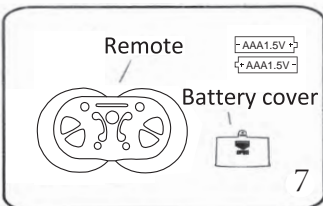
6: Installing cushion

- Put the cushion at the specified location; place the bayonet into net on the body. Use 4*10 screws to make it set.



7: Installing trunk

- Put the trunk at the specified location; place the bayonet into net on the body. (please check whether it is firm, refer to the figure 6)



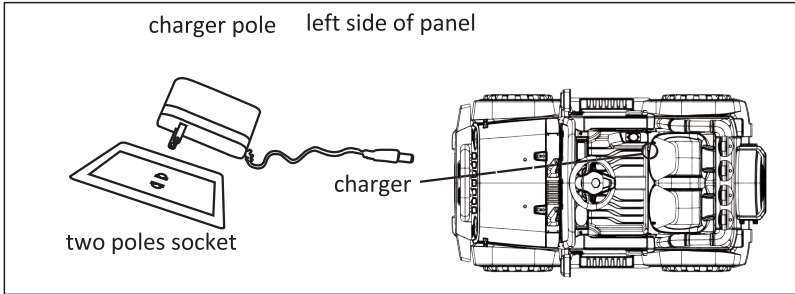
8: Installing battery of remote

- Please purchase AAA1.5 battery. Open the cover according to the arrow; put the battery into remote. Finally, pull back the battery cover. (please refer to figure 7)

This baby carrier is one to one 2.4G models; please check the bar code which is showed on the back of remote.

Charging

- Open the tank cover on the charging seat
- Plug in on the jack of the charging seat
- Plug in the charging seat on the electricity power



Warning!

- This product is only used for kids who are over 36 months. Keep the packing bag carefully after installation. Keep away from children. Danger for asphyxia.
- Keep the instruction for further reference.

Remote function

1: Remote operation

- Do not switch forward/backward when using this product. Or it will damage the gear case and motor.
- Put in battery before using.
- Make sure the function is chose to "remote", so that remote does work.
- Remote can be used only under adult's supervision.

2: Battery operation

- New/old and different kinds of batteries cannot be used together.
- Positive and negative poles short circuit is strictly prohibited.
- Non-rechargeable batteries cannot be recharged.
- Rechargeable batteries should be taken out before recharging.
- Batteries can only be interposed in right poses.
- Rechargeable batteries should only be charged by adults.
- Used-off batteries should be taken out of the toy and dealt properly to prevent kid's playing.

3: Change the battery

- Use screw driver to screw off the battery cover and pull it off. Put in 2AA batteries rightly and put on the battery cover.

Simple maintenance

Fault type	Reason analysis	Exclusion methods
Car's not moving	Battery has low voltage	Recharging the battery
	Battery is broken	Replace new battery
	The nut of the wheel is dropped off	Screw the nut on
	Motor is broken	Go to the maintenance area
	Socket connector of the battery has been missing	Replace new socket connector
	Fuse wire is broken	Change a new fuse
	Power is turned off	Turn on the power
Low speed	Battery is without power	Recharge the battery
	Dead battery	Change motor
	Pavement irregularity	Ride on smooth-riding surface
	Overload	Reduce weight
	Battery is old	Change new battery
Battery cannot be recharged	Charger or motor is broken	Change new charger or motor
	Socket connector of battery is broken	Change new socket
	There is no power	Plug it in
Short flight mileage	Battery off	Recharging the battery
	Battery is old	Change a new battery
Car is shaking when progressing	Connector cable for lens motor contact poorly	Reconnect it
	There's dead spot on the motor	Repair it in maintenance point
Gear has noise	Gear case is broken or run out of gas	Replace gear case or supply gas
	Gear is broken	Change a new gear
Circuit figure		

Matters needing attention

- The product should be assembled correctly by adults before usage
- Keep away from children under 3 and over 8
- Battery charging process should be performed by adults
- Ensure a ten-hour-long charging process before the first use, otherwise the battery will suffer permanent damage
- Keep away from dangerous areas like street/road/slippery areas etc.
- For one person weighting less than 30kg only
- Make sure the safety belt fastened and the child seated. Dangerous actions as well as standing up are forbidden
- Do not press the forward/back button abruptly while driving
- Do not drive in narrow space, in order to avoid damage to the product
- Go on periodic check. Pay close attention to the security situation of the product and its peripheral equipment
- Pull out the battery during the long period without use
- The product should be used with adult guardianship
- Safe period for use: 3 years.

WWW.LEANTOYS.PL