

- Any non-manufacturer accessories are forbidden.
- Note the polarity of the battery when contacting.
- Please don't play with charger.
- The max weight of this vehicle is 25kg, no allowance for overloading.

The do's and don'ts for charging:

- Put the DC plug of charger into the socket of the bodywork before charging, then put the other plug of charger into the outlet. Don't manipulate the vehicle when charging.
- It is normal that the charger and storage battery get heated below 60°C during charging.
- There must be no water in plugs and accessories, otherwise it will cause short cut.
- This vehicle are matched up the attached charger and battery. Using other types may cause damage to them.
- This vehicle should be charged once a month at least even if it is not used often.

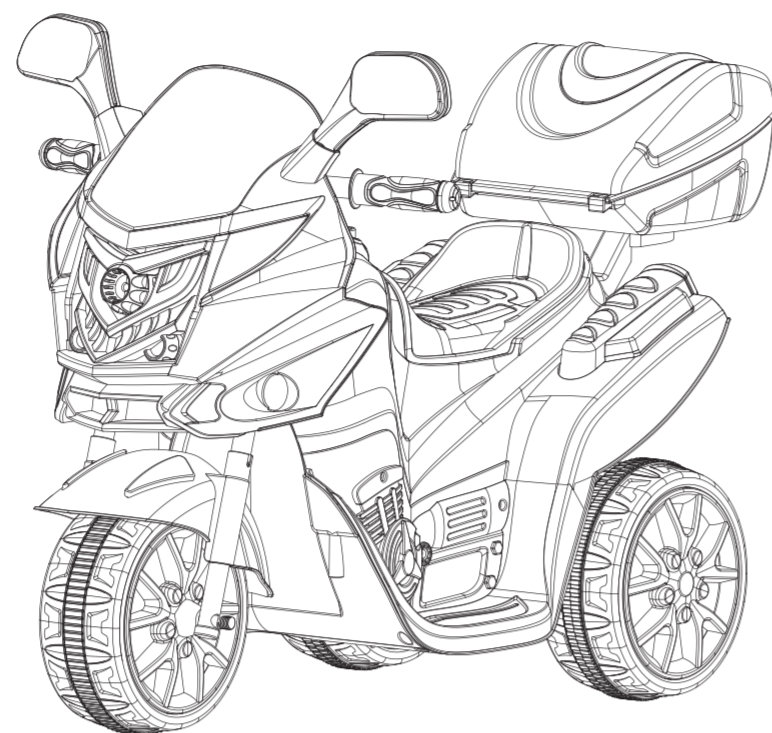
The do's and don'ts for using:

- Be sure to charge the storage battery full of 18 hours before first time driving, otherwise it would cause perpetual damage to the storage battery and there will be little possibility to restore.
- Don't drive in the hazardous places such as street, road, slope or ditch.
- Don't drive in the slippery surface such as marble or tile.
- Don't switch the forward/back button when vehicle moving. Don't let child driver stand on the saddle or pedal.
- Don't change circuit or attach extra electric equipment.
- The vehicle shouldn't be put in the shower or used in the water. Don't put water or other liquid on the vehicle and meantime keep it away from fire, preventing any damage to the circuit.
- Please stop in front of the obstacle and then round it.
- Don't drive indoors, in case any falling off or damage to furniture.
- The product can carry only one person. No overloading. The max weight is 25kg.
- Please turn off the power button if don't use it. Please take out the battery if you don't use it for long time.

※ Note: The product images and presentations and other introduction of this booklet are only for reference, goods in kind prevail.

Child's Electric three-wheel vehicle

Fixing and using instruction



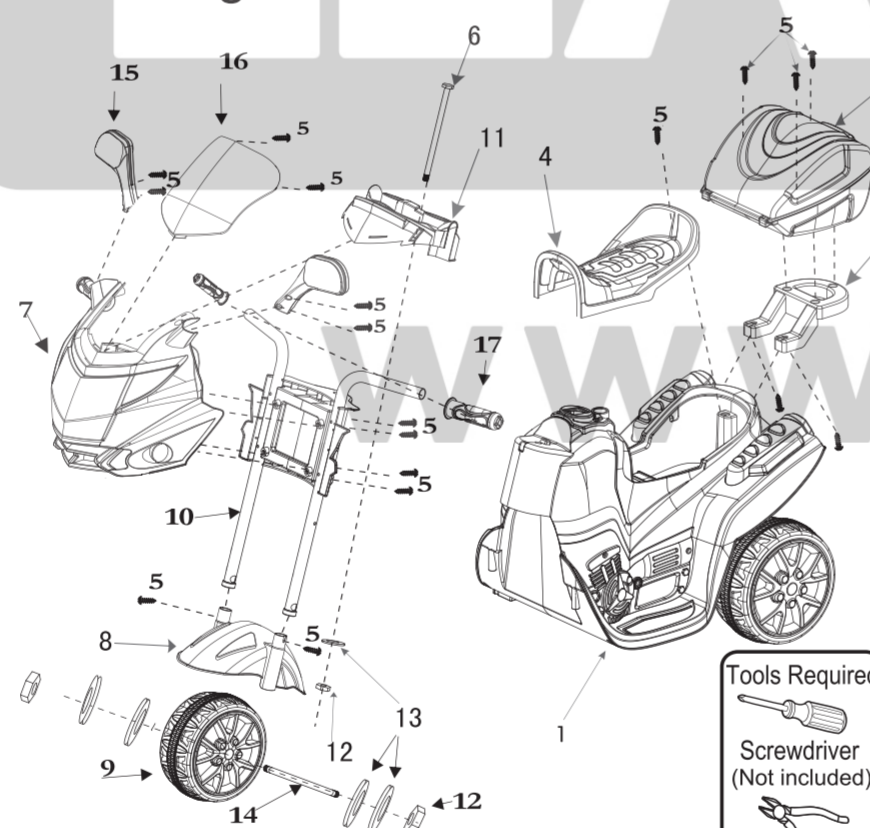
Carried standards:

GB6675.1-2014/GB6675.2-2014/GB6675.3-2014/GB6675.4-2014
GB19865-2005

Manual book only for your reference, products features may vary from the pictures in book, configuration based on your order!

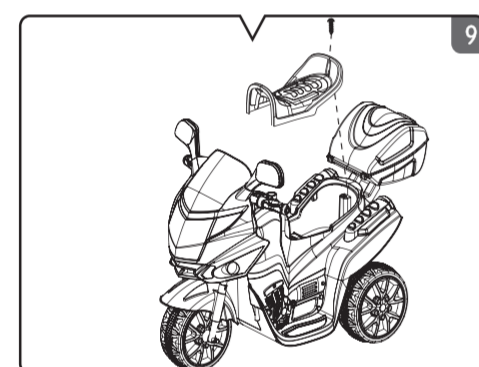
Please read the operating instructions carefully before using

Parts Diagram



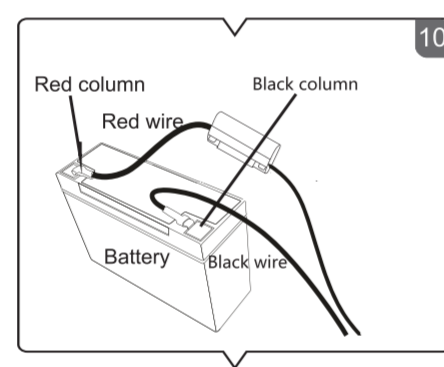
Tools Required
Screwdriver (Not included)
Pliers (Not included)

1	Car Body	11	Platform
2	Toolbox	12	Screw
3	Rear Bracket	13	Washer
4	Seat	14	Front Axle
5	4*12 Self-tapping Screw	15	Rearview Mirror
6	M8*140 Machine Screw	16	Wind Frame
7	Headstock	17	Grip
8	Front Wheel Fender	18	
9	Front Wheel	19	
10	Front Fork	20	



Seat Assembly

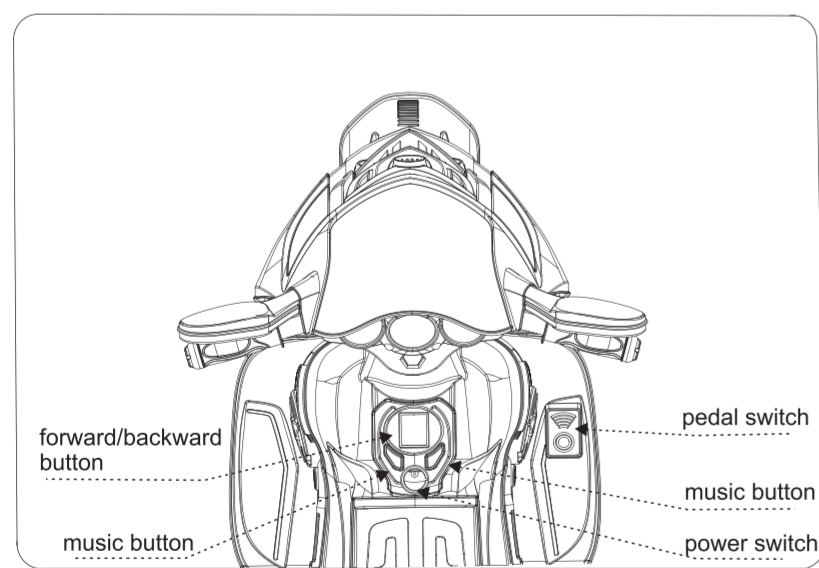
- Remove the screw from the car for using, pressing the seat into the right place, then using the screw to tighten the seat and the car.



Connecting Power Line

- Inserting red wire into red column (Avoiding inserting into the black column)

Notice: When you changing the tap position, please make sure the vehicle has completely stopped, otherwise it will damage the gear box and the motor.



power switch and forward/backward switch are on the front part of the car
Power switch Press the power switch to open, it will turn off if press again

⚠ Please read the instruction booklet carefully before using. It will illustrate the right fixing procedure and operation for you, just in case any hurt to your kid out of wrong fixing. Besides, this booklet should be kept well for possible reference in future.

⚠ Be sure to charge the storage battery full of 18 hours before first-time driving, otherwise it would cause perpetual damage to the storage battery and there will be little possibility to restore.

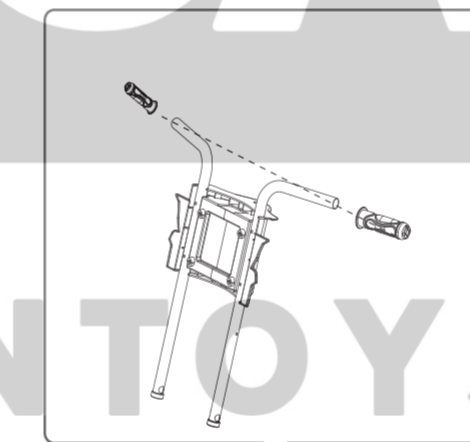
⚠ Do not using up the electric quantity every time.

Specification:

Suitable Age	37~71 Months	Load Capacity	< 25 KG
Speed	3 KM/H	Size of Car	82*34*52.5 CM
Charger	Input: 110v or 220-240v, 50Hz Output: DC 6V 500 mA	Battery	6V-4.5 Ah * 1
Power Way	Charging Type	Charging time	8~12 Hours
Fuse	15 A	Average Battery Life	Approximately 300

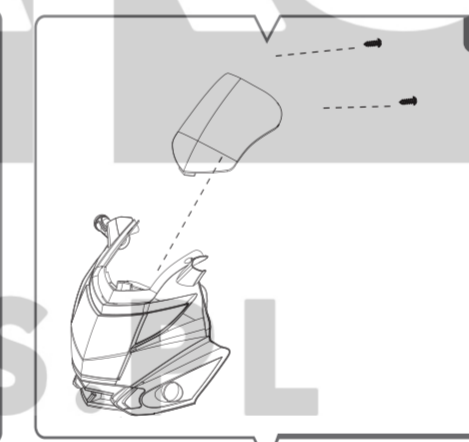
- Be sure to charge the storage battery full of 18 hours before first time driving, otherwise it would cause perpetual damage to the storage battery and there will be little possibility to restore.
- Don't drive in the hazardous places such as street, road, slope or ditch.
- Don't drive in the slippery surface such as marble or tile.
- Don't switch the forward/back button when vehicle moving. Don't let child driver stand on the saddle or pedal.
- Don't change circuit or attach extra electric equipment.
- The vehicle shouldn't be put in the shower or used in the water. Don't put water or other liquid on the vehicle and meantime keep it away from fire, preventing any damage to the circuit.

Fixing instruction:



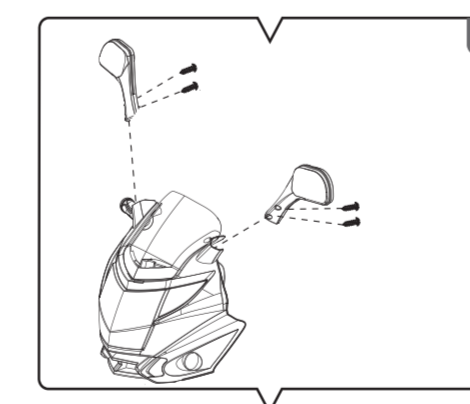
Grip Assembly

- Pressing the grip into the front fork with full strength according to the picture.



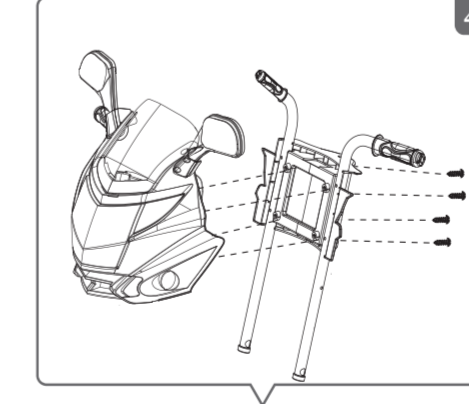
Wind Frame Assembly

- Remove the screw from the wind frame
- Inserting the wind frame into the right place of the headstock
- Using the screw to tighten the wind frame and headstock



Rearview Mirror Assembly

- Remove the screw from the headstock
- Inserting the rearview mirror into the right place
- Using the screw to tighten rearview mirror and headstock



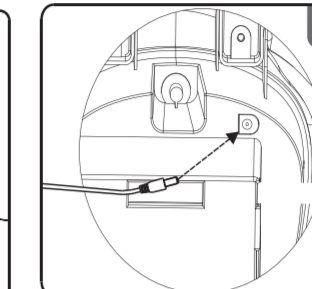
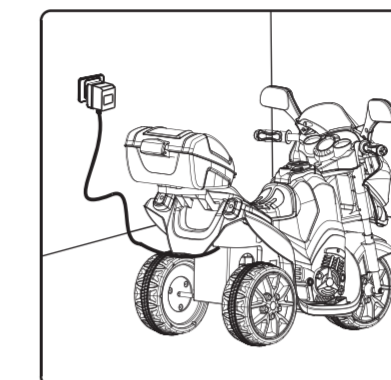
Front Fork Assembly

- Remove the screw from the headstock
- Pass the line on the headstock through the middle of the fork connection part
- Using the screw to tighten rearview mirror and headstock

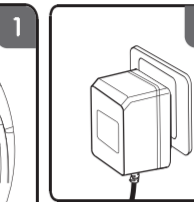
- Pedal switch Forward
1. Press the forward button
 2. Tread the pedal, the car will move forward
- Backward
1. Press the backward button
 2. Tread the pedal, the car will move backward
- Music Press the music button, music will be played. If there is no more press, music will stop automatically
- Mp3 Turn on the power button, inserting Mp3/Mp4 wire into Mp3 slot, then adjusting the volume adjuster as you like. (according to your order)

⚠ Do not be close to the ear, improper use can cause hearing damage.

Charge



1. Plug the charge port into the input socket;



2. Plug the charger into a wall outlet. The battery will begin charging.

Warnings:

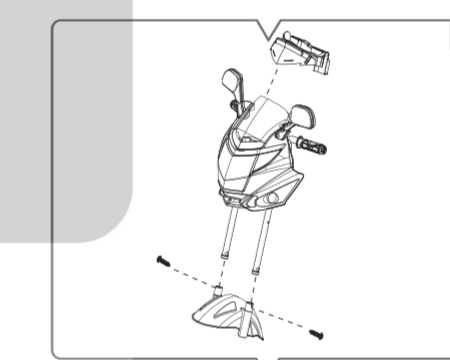
Pay attention to the following warnings for the good of your baby.

The products must be assembled and debugged by adults. Keep the children off any moving components.

The product itself is not suitable for children below age 36 months. The children must be instructed and tended by guardian to enjoy this product. The guardian should keep eyes on the children all through when playing.

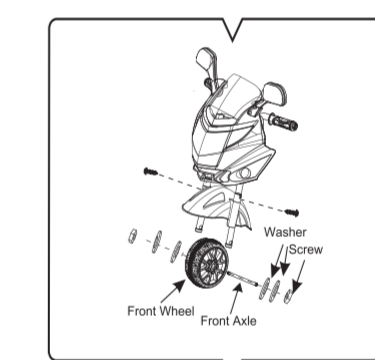
Don't allow the children to stand or play on the saddle or pedal. Be sure to charge fully before first-time using. No allowance for children to charge!

Make sure to keep the children away from packing stuff such as plastic bags, in case any suffocating!



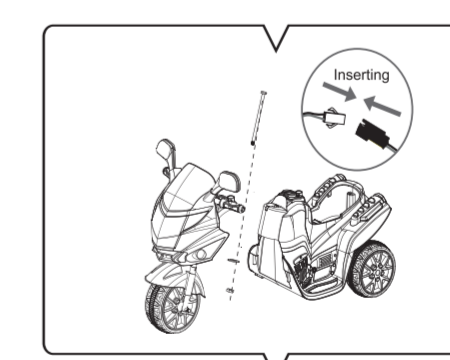
Platform, Front Wheel Fender and Front Fork Assembly

- Pressing the platform into the right place of the headstock
- Pressing the front fork into the front wheel fender (Please identifying anterior-posterior of the front wheel fender)
- Using two 4*12 self-tapping screw to tighten the front wheel fender and the front fork



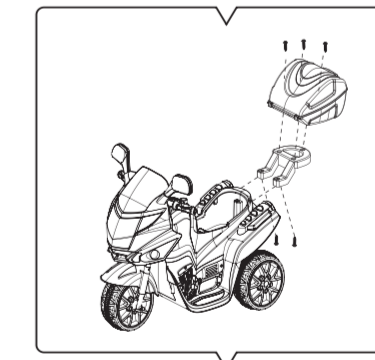
Front Wheel Assembly

- Putting one screw and one washer on the one side of front axle
- Passing the front axle through the front fork, then putting another washer
- Adding the wheel onto the front axle, then putting another washer
- Passing the front axle through the front fork, putting another washer and tightening it with the screw.



Car Body and Headstock Assembly

- Inserting the plug on the headstock into the plug on the car body
- Inserting the headstock into the right place on the car body
- Using 8mm*140mm to tighten the headstock and the car body
- Adding a washer to the screw, then using the nut to tighten the headstock



Toolbox and Rear Bracket Assembly

- Remove the screw from the rear bracket for using,
- Inserting the rear bracket into the car
- Using the screw to tighten the rear bracket and the car
- Using three 4*12 screw to tighten the rear bracket and the car
- Connecting the roof and the floor of the cover