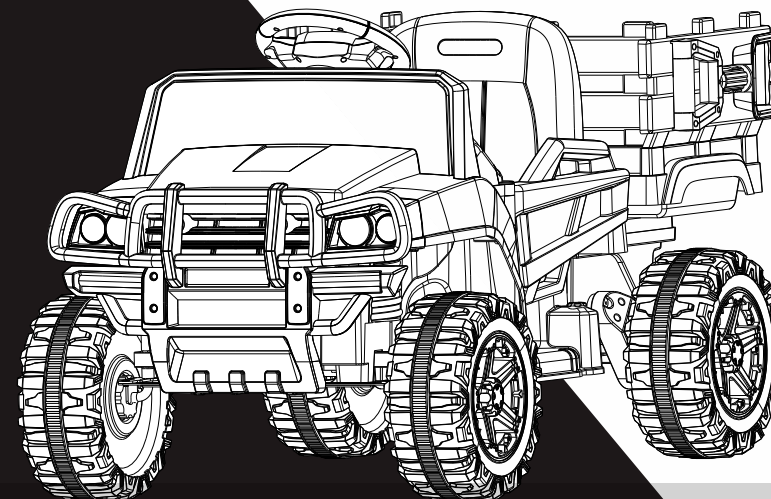


INSTALLATION AND OPERATING INSTRUCTIONS

Children's electric cars

WARNING:

The toy is to be assembled by an adult.
This toy is unsuitable for children under
3 years due to its maximum speed.



Executive standard:
En71 and En62115
ASTM F963-17

LEAN CARS

Photos are for reference ONLY.

WWW.LEAN TOYS.PL

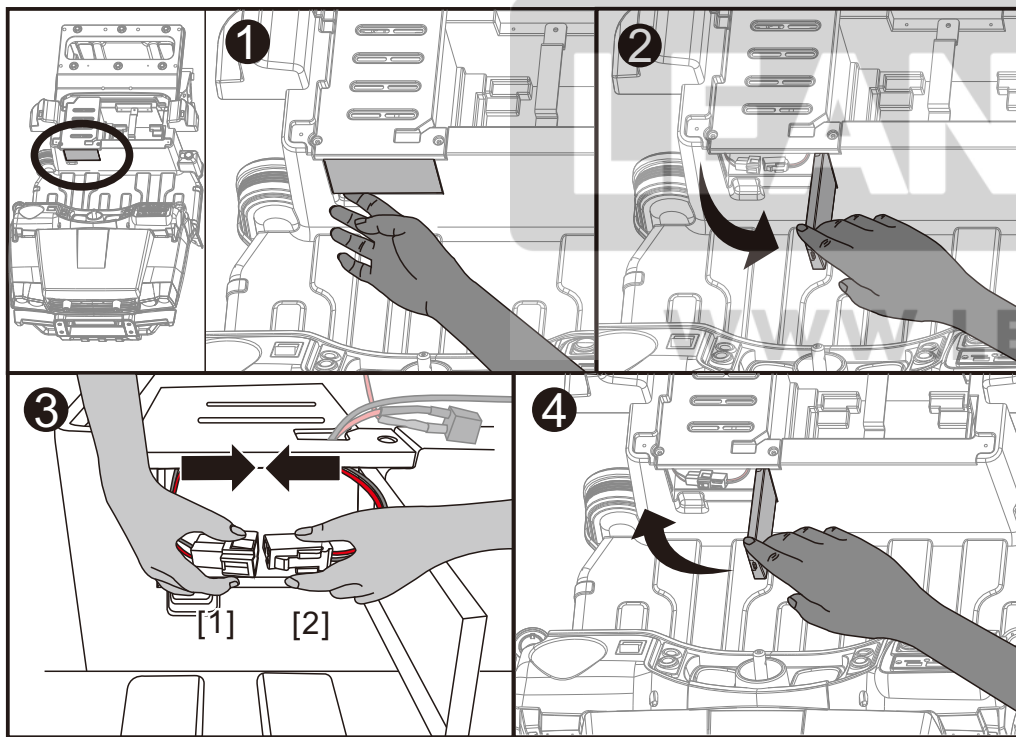
INSTALLATION INSTRUCTION

The illustrations in this instruction are used for easier understanding of the operation method of the product and the product structure. Please note there may be differences between the pictures and the physical item.

In order to improve the quality, we may change part of the structure and appearance of the product without an advance notice.

! Please read the instructions carefully before use, it will tell you the right operation method and installation steps. Incorrect operation may damage the product, or even hurt your child. Please keep this instruction ready and easy to find.

Preparation before installation: Power-on



1 & 2: Please find and open the Charging hole cover as shown in figure.

3. Connect the terminal [1] and [2].

4. Close the Charging hole cover.

1 Safety

! WARNING!

The owner's manual contains assembly, use and maintenance instructions. The vehicle must be assembled by an adult who has read and understands the instructions in this manual. Keep the packaging away from children and dispose of all packaging before use.

Note: For best performance use on flat, hard surfaces.

The following safety hazards may result in serious injury or death to the user of the vehicle:

- This product contains small parts that are for adult assembly only. Keep small children away when assembling. Remove and dispose of all protective material and poly bags before assembly. Be sure to remove all packaging materials and parts from underneath the vehicle body.
- Battery posts, terminals and related accessories contain lead and lead compounds (acids) chemicals known to the state of California to cause cancer, reproductive harm, and are toxic and corrosive. Never open the battery.
- Body parts such as hands, legs, hair and clothing can get caught in moving parts. Never place a body part near a moving part or wear loose clothing while using the vehicle. Always wear shoes when using the vehicle.
- This toy does not have brakes or any braking capability. Do not leave a child unattended while using this toy or allow use of this toy in any location that requires braking capability, as this could result in a roll away or loss of control, which may cause serious injury or death.
- Using the vehicle near streets, motor vehicles, drop-offs such as: steps, water (swimming pools) or other bodies of water, sloped surfaces, hills, wet areas, flammable vapors, in alleys, at night or in the dark could result in an unexpected accident. Always use the vehicle in a safe, secure environment with continuous adult supervision.
- Using the vehicle in unsafe conditions such as snow, rain, loose dirt, mud, sand or fine gravel may result in unexpected action such as tip over and skidding, and damage to the electrical system and battery.
- Using the vehicle in an unsafe manner. Examples include but are not limited to:
 - a. Pulling the vehicle with another vehicle or similar device
 - b. Allowing more than one rider
 - c. Pushing the user from the back
 - d. Traveling at an unsafe speed

Always use common sense and safe practices when using the vehicle.

BATTERY WARNINGS

⚠ WARNING!

The following safety hazards may result in serious injury or death to the user of the vehicle:



- Use of a battery or charger other than the supplied 12V rechargeable battery and charger may cause a fire or explosion. Only use the supplied 12V rechargeable battery and charger with the vehicle.

- Using the 12V rechargeable battery and charger for any other product may result in overheating, fire or explosion. Never use the 12V rechargeable battery and charger with another product.



- Explosive gases are created during charging. Charge the battery in a well ventilated area. Do not charge the battery near heat or flammable materials.

- Contact between the positive and negative terminals may result in fire or explosion. Avoid direct contact between the terminals. Picking up the battery by the wires or charger can cause damage to the battery and may result in a fire. Always pick up the battery by it's case or handles.



- Liquids on the battery may cause fire or electric shock. Always keep all liquids away from the battery and keep the battery dry.

- Contact or exposure to battery leakage (lead acid) may cause serious injury. If contact or exposure occurs immediately call your physician. If the chemical is on the skin or in the eyes, flush with cool water for 15 minutes. If the chemical was swallowed, immediately give the person water or milk. Do not give water or milk if the patient is vomiting or has a decreased level of alertness. Do not induce vomiting.

- Battery posts, terminals and related accessories contain lead and lead compounds (acid), chemicals known to the State of California to cause cancer, reproductive harm and are toxic and corrosive. Never open the battery.



- Tampering or modifying the electric circuit system may cause a shock, fire or explosion and permanently damage the system. Exposed wiring, circuitry in the charger may cause electric shock. Always keep the charger housing closed.

USER REQUIREMENTS AND WARNINGS

Age	37-96 months
Max Weight	(28kgs)

Before using the vehicle the child should understand the vehicle controls and safety issues. They must also demonstrate the capability to handle the vehicle and operate its controls.

It is the responsibility of the adult to educate the child and supervise the vehicles use. Read the following safety warnings to any child using the vehicle before riding.

⚠ WARNING!

- Never leave child unattended. Always supervise the child.
- Always sit in the seat when using the vehicle.
- Keep your hands, hair and clothes away from moving parts.
- Always wear shoes when using the vehicle.
- Only one rider is allowed on the vehicle at a time.
- Children under 3 years of age cannot use the vehicle.
- Only drive on level ground.
- Do not go near swimming pools or other bodies of water, drop-offs or up and down steep inclines.
- Do not drive the vehicle into loose dirt, mud, sand or fine gravel.
- Do not drive the vehicle on streets or near cars.
- Not to be used in traffic.

CARE WARNINGS

⚠ WARNING!

- Park the vehicle indoors or cover it with a tarp to protect it from wet weather.
- Do not leave the vehicle in the sun for long periods of time or fading may occur. Store in shade or cover with tarp.
- Do not wash the vehicle with a hose.
- Do not wash the vehicle with soap and water.
- Pay attention while driving the vehicle, avoid falls or collisions causing injury to the user or third parties.
- Please check the component parts before using, and make regularly examine the transformers or battery chargers for in the event of any damage on the cord, plug, enclosure and other parts, the vehicle shall not be used until the damage has been repaired, to avoid an accident.

RE-CHARGE INTERVAL AND TIME Important!

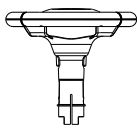


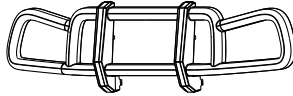

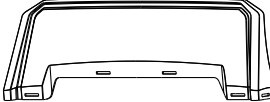
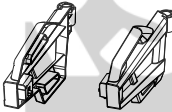

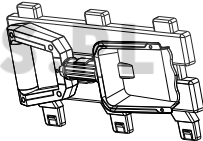
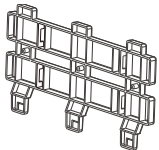
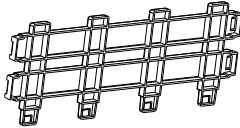


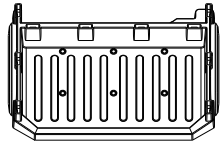
- Damage to the battery may occur if it is allowed to drain completely. Do not allow the battery to drain completely.
- Check the battery and charger (supply cord, connector) for wear and damage before charging. Do not charge the battery if damage has occurred.
- It can be fully charged within 12 hours
- Do not charge the battery for more than 20 hours. Failure to charge the battery as directed could cause permanent damage to the battery and void the warranty.
- Only an adult who has read and understands the safety warnings should handle, charge and recharge the battery.

Specification

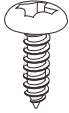
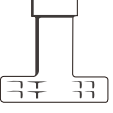
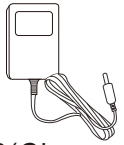
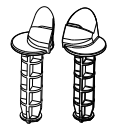

Name	specification
Battery	12V 7Ah(6-FM-7 (Ah)) *1/ 12V 4.5Ah(6-FM-4.5 (Ah)) *1
Motor	Motor: 12V
Suitable age	37-96 months
Max weight	28KG
Body size	1200*670*650MM
Speed	3-5KM/h
Hours of use	charging 8-12 hours, using 1 to 2 hours
Charger	Input: 110V~240V Output: DC 12V 500mA-1000mA
Mainmaterial	PP(polypropylene) and iron

*The above parameters contain optional features, specific parameters please refer to our samples.

Parts List

NO.	QTY	PICTURE	NO.	QTY	PICTURE
①	1	 A (Steering Wheel)	②	1	 B (Instruction Book)
③	4	 C (Wheel)	④	1	 D (Bumper)
⑤	4	 E (Wheel Cover)	⑥	1	 G (Wind deflector)
⑦	1 set	 H (Doors)	⑧	1	 I (Seat)
⑨	1	 J (Trailer guard and spade)	⑩	1	 K (Trailer guardrail)
⑪	1	 L (Trailer guardrail - front part)	⑫	1	 M (Front axle assembly)
⑬	1	 N (Rear Axle)	⑭	1	 O (Trailer)

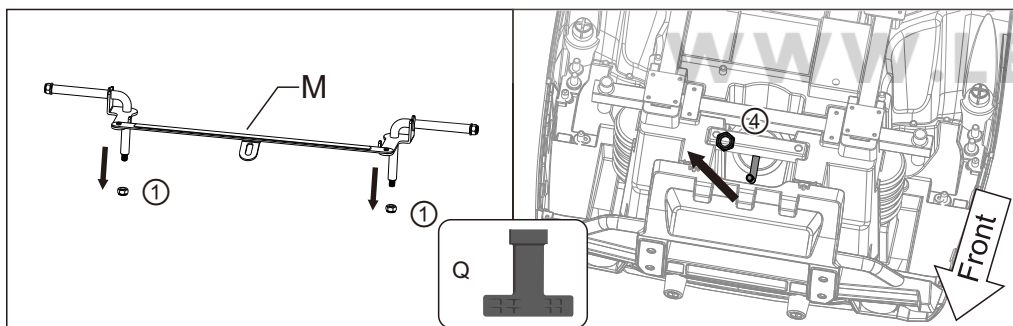
*Photos are for reference ONLY.

⑮	2		⑯	2	
		P (Self-tapping screw)			Q (M8 spanner)
⑰	1		⑱	1 set	
		R (Charger)			S (Door spindle)
⑲	1 (optional)				
		T (Remote control)			

*Photos are for reference ONLY.

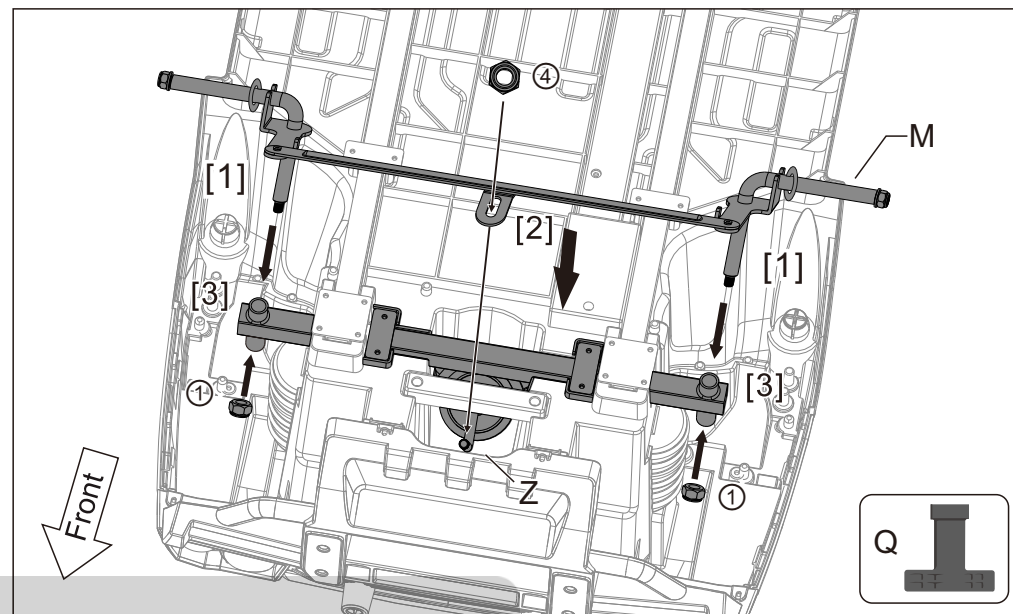
LEAN

Installation Steps



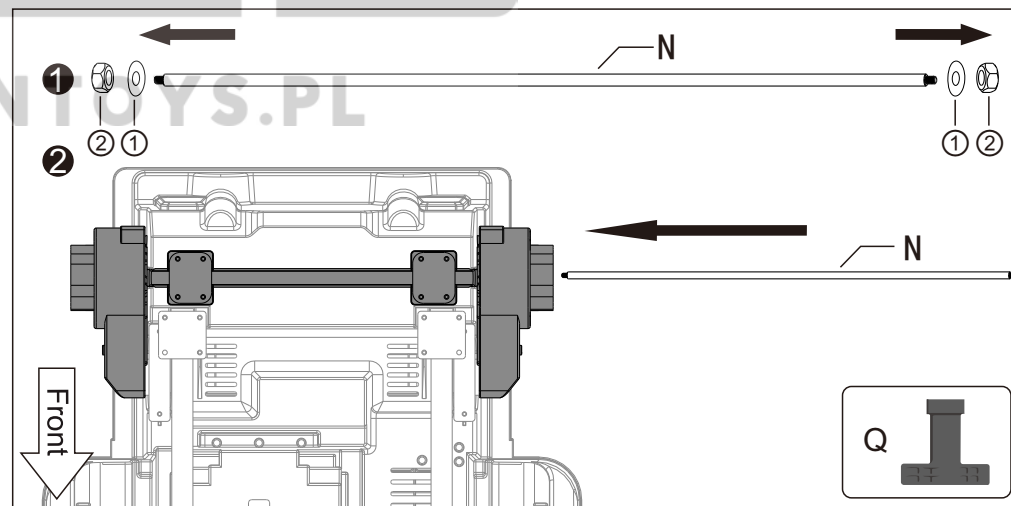
Step 1-1: Install the Front axle assembly

- Use the Q (M8 spanner) to loosen the ① (M8 nut) from the M (Front axle assembly) in a counterclockwise direction.
- Use Q (M8 spanner) to loose ④ (M8 nut) on the steering rod in a anticlockwise direaction.



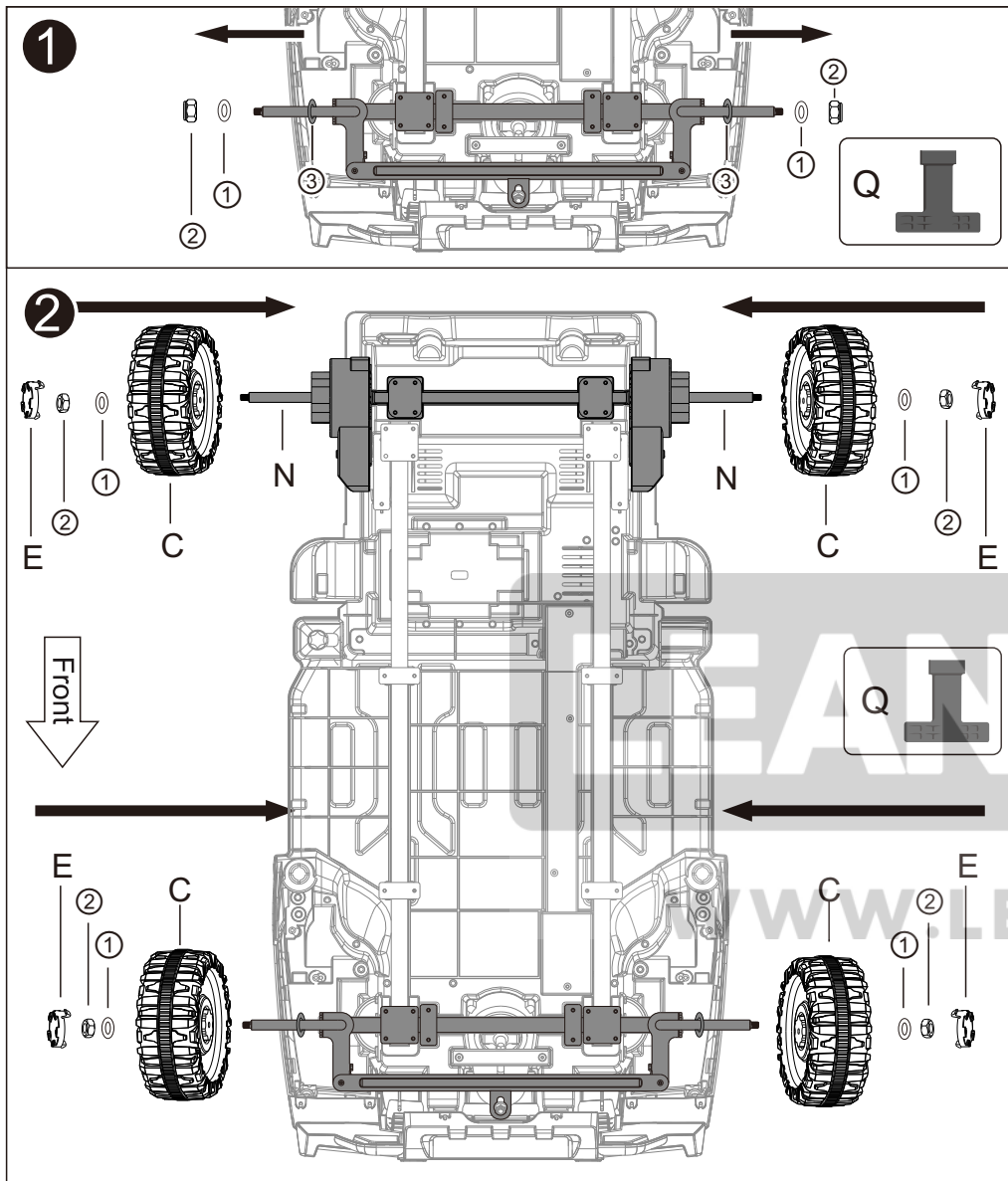
Step 1-2: Install the Front axle assembly

Place M onto the right place as shown in the figure, fix [1] axle to the corresponding [3] holes follow the arrow direction. (attention: Z pass through the [2] hole in the meantime). fix it with 2pcs ① (M8 nut) by clockwise rotation [1]. then fix it with ④ (M8 nut) by clockwise rotation.



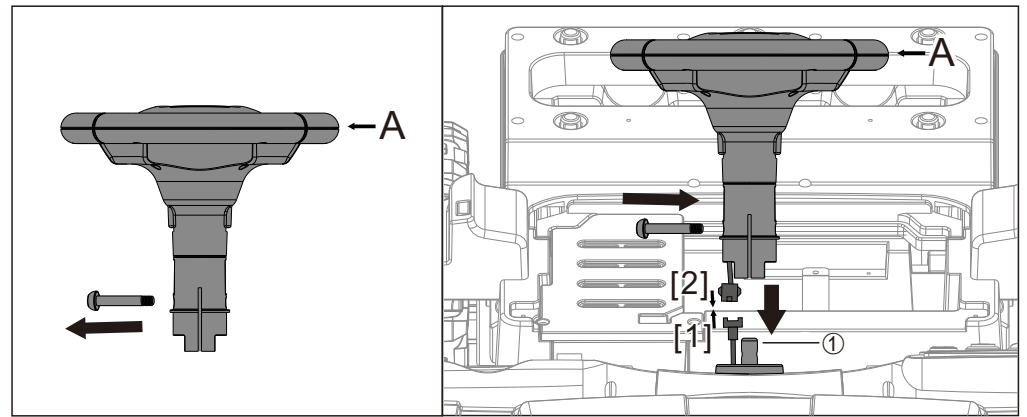
Step 2: Install rear axle

- Use Q (M8 spanner) to loose the 2pcs ② (nuts) from N (real axle) by counterclockwise rotation, and take off the gasket.
- Insert N (real axle) into the hole at real wheel seat, keep the same length at left and right.



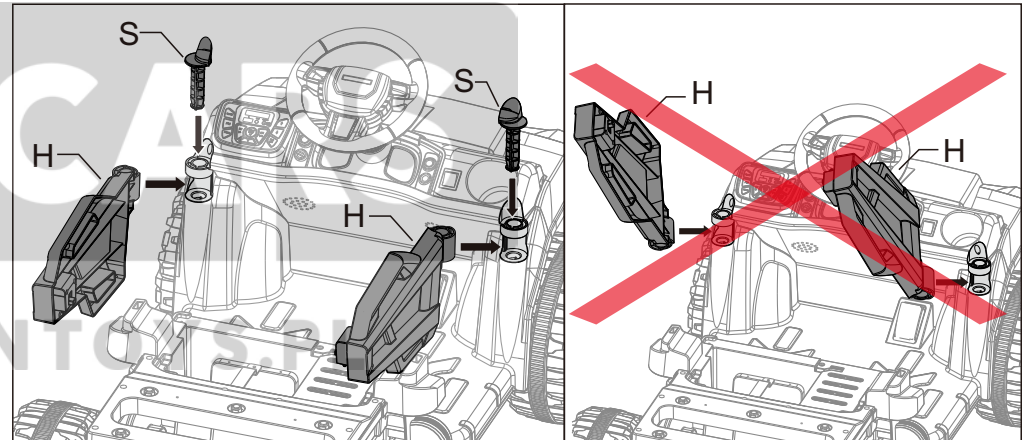
Step 3: Install the wheel

1. First use Q (M8 spanner) to loose ② (M8 nut) in a anticlockwise direaction. Then take off ① gasket. Do not take off ③ Gasket.
2. Install the C(wheel), gasket , nut, H (wheel cover) on each front axle and rear axle in turn as shown (attention: the left and right reserved length of the rear axle should be consistent; all wheel's gear shaft should toward the car body; align and press the buckle of the wheel cap with the grooves of the wheel to fix it).



Step 4: Install Steering Wheel

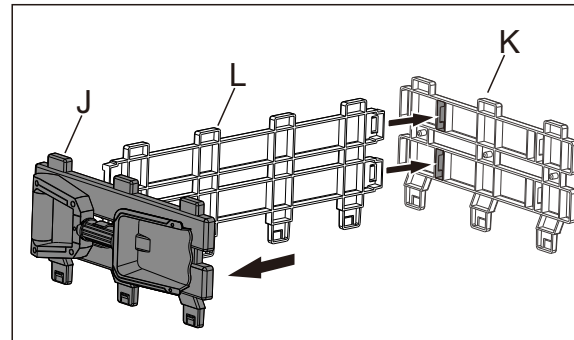
1. Remove the screw from the A (steering wheel) firstly.
2. Connect [1],[2] terminal first, place and fix A (steering wheel) on ① steering yoke as shown in figure. then insert the screw back to the A (steering wheel).



Step 5: Install the car door

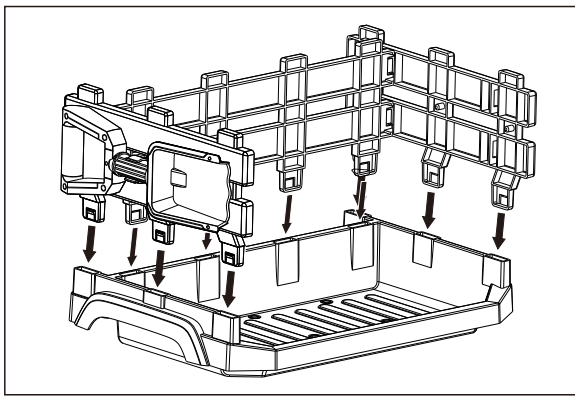
First put H (door) on the corresponding place as shown in figure, push the S (Door spindle) down to the door and car body.

* NOTE: Pay attention to the installation direction, the right picture is a false demonstration.



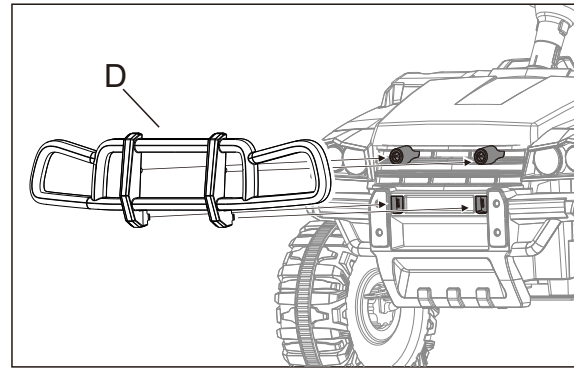
Step 6: Install guardrail

Install the J (trailer guard and spade), L (trailer guardrail - front part), K (trailer guardrail) as shown in figure.



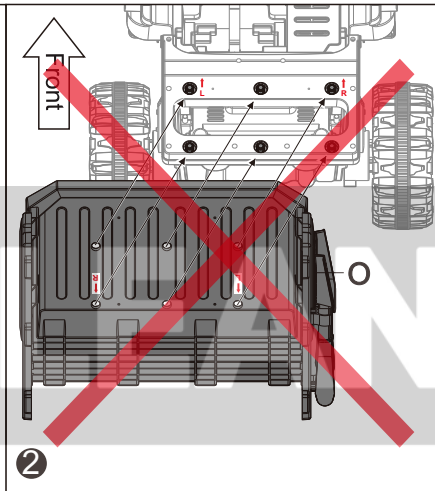
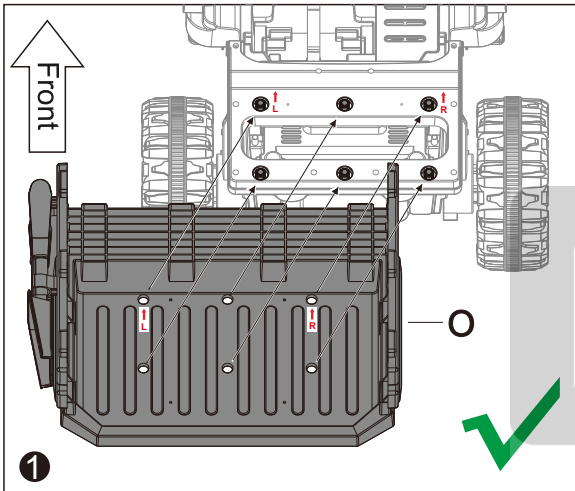
Step 7: Install trailer

Insert the trailer guardrail onto the trailer frame as shown in figure (align the 10 hooks with the 10 groove and press it) .



Step 10: Bumper

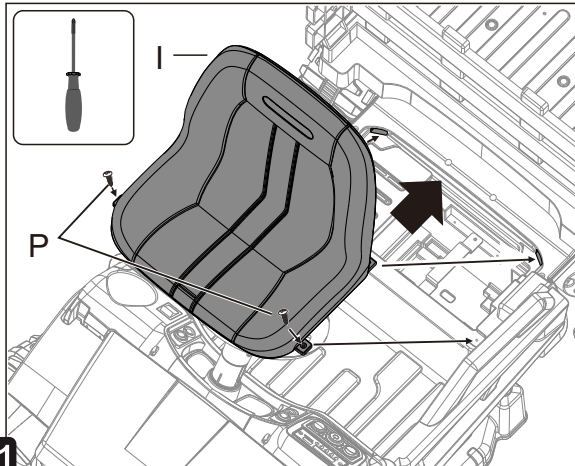
Insert D (bumper) to the corresponding hole on the car.



Step 8: Install the trailer

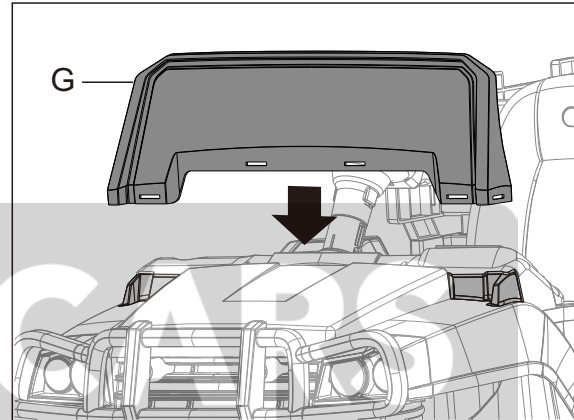
Align the 6 hole of O (trailer) with the 6 salient point on trailer frame and press it hardy(Keep the arrow in the same direction, L to the L, R to the R). make sure it has reached the designed position.

*Install the trailer in correct direction follow as figure 1.



Step 9: Install the seat

Put the I (seat) onto the right place, then fix the I (seat) with 2pcs P (self-tapping screw) as shown in figure.



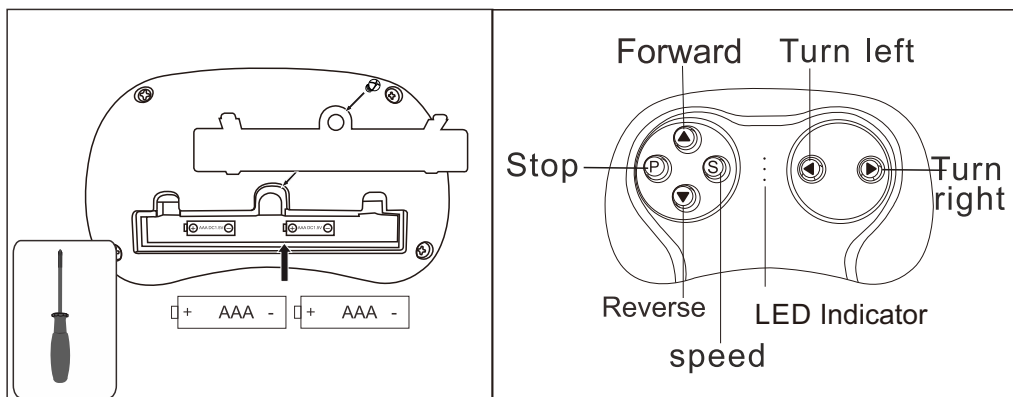
Step 11: Install the Wind deflector

Insert G (Wind deflector) to the corresponding place on the car.

WWW.LEANTOYS.PL

Direction for use

1. The installation and replacement of the batteries in the remote control:



Use a screwdriver to remove the battery cover of the remote control, insert two AAA 1.5V dry batteries in correct polarity. Close the battery cover and fix it with the screw. (Battery replacement also according to the above steps)

2. Matching the frequency of car and remote control

The remote control operation always prior to the manual control operation. (The manual control won't work while operating remote control)

1. Turn off the Power Switch on the car.
2. Remove the battery cover on the Remote Control and put in 2 AAA battery, the three LED indicators will flash.
3. Turn on the Power Switch on the car, when the LED indicators stop flashing and 2 of them are on, matching successes.
4. Once the matching is made, there is no need to match code again only if the battery is replaced.
5. The Remote Control will enter a sleep mode if not used for a long time and the LED indicators will be off. Press any buttons to wake up the Remote Control, and it can be used normally.

⚠ WARNING!

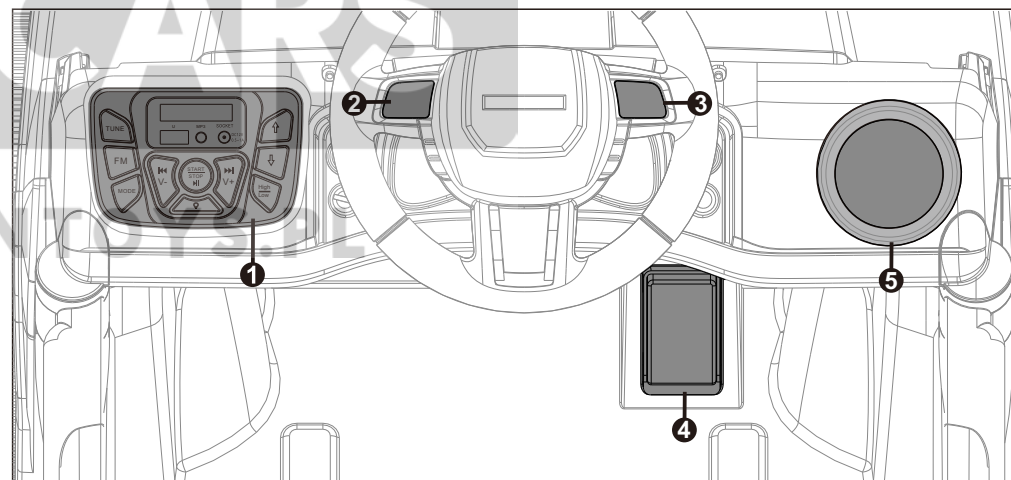
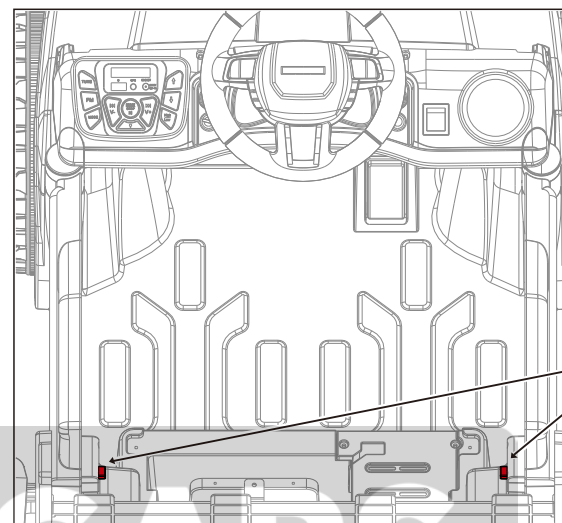
1. All batteries should be inserted in the correct polarity.
2. Non-rechargeable battery cannot be recharged
3. Take out and properly deal with the dead battery. To avoid injury, please keep kids away from the battery.
4. The direct contact between the positive and negative terminals may result in fire or explosion. Avoid direct connect between the terminals

5. Do not mix old and new batteries. DO not mix alkaline, standard (carbon-zinc), or rechargeable (nickel-cadmium) batteries.

6. Only an adult who has read and understood the safety warnings can recharge the battery.

3. Instruction of door lock switch

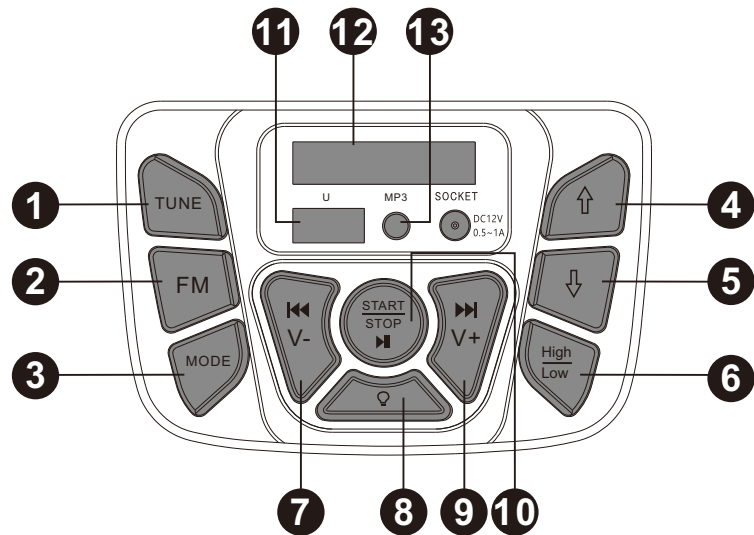
Push up the door switch can open the door.



4. Instruction of each switch and function button

1. Control board
2. Engine sound / next song button: when USB and MP3 have no external device input, short press this key will play engine sound; when USB and MP3 is connected with external device, or under in FM mode, short press this key to play next song. Long press the key to increase the volume.
3. Horn button: short press the button to play the horn. long press the horn button can reduce the volume.
4. Foot pedal switch: step on the foot pedal switch, the car will move forward, loosen the pedal, the car will stop.
5. Cup holder

5. Instruction of Control board



1. FM radio search: In FM mode, press this button will search the FM channel.
2. FM station: Press this button to enter the FM mode.
3. Switch between Music, USB and AUX: Press this button to enter the music mode. Can switch between different play modes(Music, USB, AUX)
4. Forward: Press forward button, step on the foot switch the car will move forward, loosen the pedal the car will stop.
5. Reverse: Press Reverse button, step on the foot switch the car will move Reverse, loosen the pedal the car will stop.
6. High/Low speed: Power on, by default, the forward speed is high speed, press the High/low button can change to low speed, press this button again, can change to high speed. For backward, there is only one speed, the high/low button is invalid.
7. ◀◀ /V- Previous /VOL down: short press to play the last channel, long press to lower the volume.
8. light switch: Power on, by default, the light is on, press the button to turn off the light.
9. ▶▶ /V+Next/ VOL up: Next channel / Volume up: short press to play the next channel, long press to increase the volume.
10. START/STOP/ ⏻ : Long press to Turn on or turn off the power; When the music or radio is on, short press can stop it, short press again can restart play it.
11. USB connector: Insert USB will play the music inside. Only MP3 mode is supported.
12. Voltage display screen: The value on the display be used to determine whether the battery needs to be charged.
13. AUX connector: Connect with other removable device to play audio file valid.

6. Operation guide for Manual control (forward, Reverse):

Driver sit down and fasten the seat belt. Long press the Start button, the display will light up, the car will play a start sound (2-5 seconds). Press the forward button and step on the foot switch, the car will move forward, release the foot switch, the car will stop. Press the reverse button and step on the foot switch, the car will move backward, release the foot switch, the car will stop. Long press the Start button again to turn off the power.

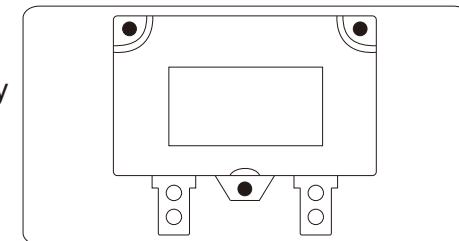
7.The illustration of High/Low Speed

Power on, by default, the forward speed is high speed, step on the foot switch, the car will move forward fast, release the foot switch, the car will stop. Press the high/low speed button can change to low speed, step on the foot switch, the car will move forward slowly, release the foot switch, the car will stop. Press the high/low speed button again will change to high speed.

*** ONLY one speed for reverse, the high/low switch can not control the reverse speed. Everytime when power on, by default, the car will move forward in high speed.**

8.Instructions of the recoverable fuse

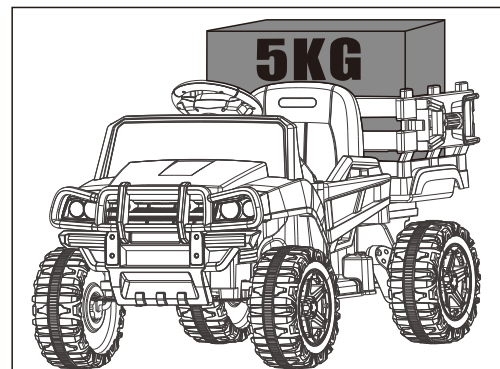
Resettable fuse: when the current exceeds a certain rating, the recoverable fuse will automatically cut off the power supply for 5-10seconds, then the current will be resupplied.



⚠ WARNING

RISK OF FIRE. Do not bypass fuse. This may overload and damage the electrical system. Replace only with original size and type.

9. Reminder on using the trailer:



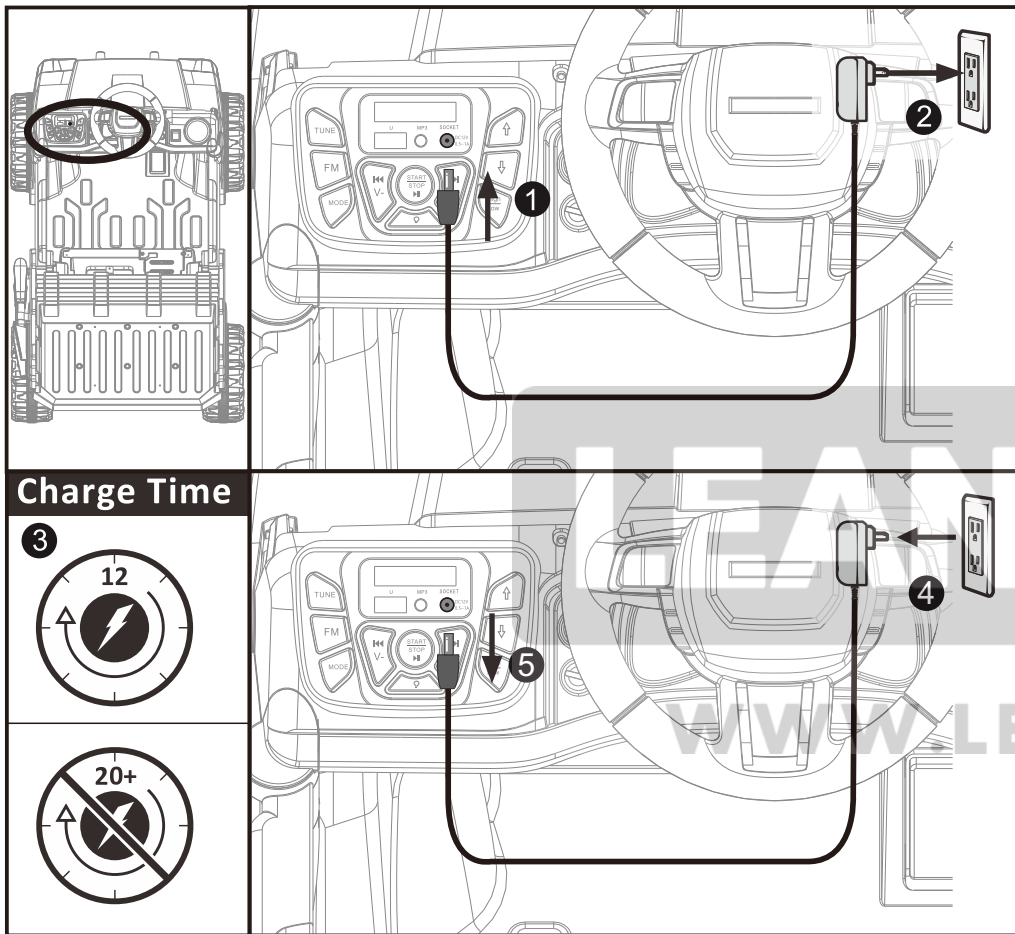
⚠ WARNING!

The Maximum load for trailer NOT exceeding 5 kg.

10. Charging instructions.

⚠ WARNING!

Please plug wall charger directly into a wall outlet. Do not use an extension cord.



When battery power is low, please charge it immediately. The charging port is on the control board as shown in figure. (Note: toys can not be operated in the charging state. Toys should be recharged by adult operation).

Troubleshooting

Fault type	Reason analysis	Trouble elimination methods
The motor does not rotate	<ol style="list-style-type: none"> 1. Is the fuse overloaded? 2. The pedal switch connector is good? 3. The welding of motor electric terminal is good? 4. The connector of the motor wire is good? 5. Remove the motor's plug-in, change to connect battery directly, then check if it rotate or not. 	<ol style="list-style-type: none"> 1. Yes, the fuse cuts off the power automatically by 5-20 seconds, then restart; No, check next reason analysis 2. No, repair foot switch ; Yes, check next reason analysis 3. No, weld the terminal wire ; Yes, check next reason analysis 4. No, plug in the plug-in ; Yes, check next reason analysis 5. Still no rotation, change the motor; If rotates, it means driving circuit board needs professional maintenance, please contact with agent
Only move frontwards, or only move backwards	<ol style="list-style-type: none"> 1. Check the frontward/backward switch, check the connector is good or not by multimeter 2. Check the drive line cycle of frontward/bckwards is workable or not? 	<ol style="list-style-type: none"> 1. No, replace the control board; Yes, check next reason analysis 2. No, connect the line; Yes, it means driving circuit board needs professional maintenance, please contact with agent
slow speed	<ol style="list-style-type: none"> 1. Check the battery voltage is ok or not. 2. Connect the motor (including the driving gearbox) to the battery, then check the speed can be accelerated or not. 	<ol style="list-style-type: none"> 1. No, charger the battery ; Yes it's ok, check next reason analysis 2. No, check next reason analysis ; Yes, it means driving circuit board needs professional maintenance, please contact with agent
The battery can not be recharged	<ol style="list-style-type: none"> 1. The battery connector fall off or loosened. 2. The charger has a slight heat when it is charged 	<ol style="list-style-type: none"> 1. Yes, reconnect it, No, check next reason analysis 2. No, the charger is broken, replace it
When car is moving, the sound and light are useless	<ol style="list-style-type: none"> 1. check the sound/light switch is ok or not. 2. check the electric wire connection (from battery to headstock) is good or not? 	<ol style="list-style-type: none"> 1. No, replace the control board; Yes, check next reason analysis 2. No, reconnect; Yes, check next reason analysis
When wheel running, the car does not move	<ol style="list-style-type: none"> 1. check the driving wheel can be rotated or not? 2. Check the gearbox, if any gear is damaged? 	<ol style="list-style-type: none"> 1. Yes, lay the wheel to the ground; No, checks the next reason analysis 2. Yes, replace the gear box; No, checks the next reason analysis
Car is unstable, moving on and off	<ol style="list-style-type: none"> 1. Does the driver exceed the maximum load weight? 2. Does the driver ride on the rugged road? 3. Check the wheel can rotate freely? 	<ol style="list-style-type: none"> 1. Yes, should follow the instruction, the car unsuitable for exceed maxweight; No, check the next reason analysis 2. Yes, should follow the instruction, ride on the flat cement road ; No, check the next reason analysis No, Troubleshooting wheel and axle