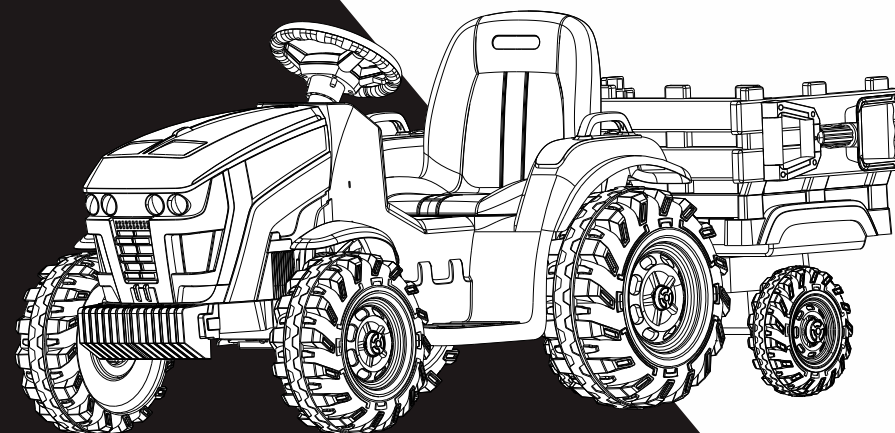


# INSTALLATION AND OPERATING INSTRUCTIONS

Children's electric cars

## WARNING:

The toy is to be assembled by an adult.  
This toy is unsuitable for children under  
3 years due to its maximum speed.



Executive standard:  
En71 and En62115  
ASTM F963-17

# LEAN CARS

Photos are for reference ONLY. [WWW.LEAN-TOYS.PL](http://WWW.LEAN-TOYS.PL)

# INSTALLATION INSTRUCTION

The illustrations in this instruction are used for easier understanding of the operation method of the product and the product structure. Please note there may be differences between the pictures and the physical item.

In order to improve the quality, we may change part of the structure and appearance of the product without an advance notice.

**⚠** Please read the instructions carefully before use, it will tell you the right operation method and installation steps. Incorrect operation may damage the product, or even hurt your child. Please keep this instruction ready and easy to find.

## 1 Safety

### ⚠ WARNING!

The owner's manual contains assembly, use and maintenance instructions. The vehicle must be assembled by an adult who has read and understands the instructions in this manual. Keep the pack-aging away from children and dispose of all packaging before use.

**Note:** For best performance use on flat, hard surfaces.

The following safety hazards may result in serious injury or death to the user of the vehicle:

- This product contains small parts that are for adult assembly only. Keep small children away when assembling. Remove and dispose of all protective material and poly bags before assembly. Be sure to remove all packaging materials and parts from underneath the vehicle body.
- Battery posts, terminals and related accessories contain lead and lead compounds (acids) chemicals known to the state of California to cause cancer, reproductive harm, and are toxic and corrosive. Never open the battery.
- Body parts such as hands, legs, hair and clothing can get caught in moving parts. Never place a body part near a moving part or wear loose clothing while using the vehicle. Always wear shoes when using the vehicle.
- This toy does not have brakes or any braking capability. Do not leave a child unattended while using this toy or allow use of this toy in any location that requires braking capability, as this could result in a roll away or loss of control, which may cause serious injury or death.
- Using the vehicle near streets, motor vehicles, drop-offs such as: steps,

water (swimming pools) or other bodies of water, sloped surfaces, hills, wet areas, flammable vapors, in alleys, at night or in the dark could result in an unexpected accident. Always use the vehicle in a safe, secure environment with continuous adult supervision.

- Using the vehicle in unsafe conditions such as snow, rain, loose dirt, mud, sand or fine gravel may result in unexpected action such as tip over and skidding, and damage to the electrical system and battery.
- Using the vehicle in an unsafe manner. Examples include but are not limited to:
  - a. Pulling the vehicle with another vehicle or similar device
  - b. Allowing more than one rider
  - c. Pushing the user from the back
  - d. Traveling at an unsafe speed

Always use common sense and safe practices when using the vehicle

## BATTERY WARNINGS

### ⚠ WARNING!

The following safety hazards may result in serious injury or death to the user of the vehicle:



- Use of a battery or charger other than the supplied 12V rechargeable battery and charger may cause a fire or explosion. Only use the supplied 12V rechargeable battery and charger with the vehicle.

- Using the 12V rechargeable battery and charger for any other product may result in overheating, fire or explosion. Never use the 12V rechargeable battery and charger with another product.

- Explosive gases are created during charging. Charge the battery in a well ventilated area. Do not charge the battery near heat or flammable materials.

- Contact between the positive and negative terminals may result in fire or explosion. Avoid direct contact between the terminals. Picking up the battery by the wires or charger can cause damage to the battery and may result in a fire. Always pick up the battery by it's case or handles.



- Liquids on the battery may cause fire or electric shock. Always keep all liquids away from the battery and keep the battery dry.



- Contact or exposure to battery leakage (lead acid) may cause serious injury. If contact or exposure occurs immediately call your physician. If the chemical is on the skin or in the eyes, flush with cool water for 15 minutes. If the chemical was swallowed,

immediately give the person water or milk. Do not give water or milk if the patient is vomiting or has a decreased level of alertness. Do not induce vomiting.

- Battery posts, terminals and related accessories contain lead and lead compounds (acid), chemicals known to the State of California to cause cancer, reproductive harm and are toxic and corrosive. Never open the battery.
- Tampering or modifying the electric circuit system may cause a shock, fire or explosion and permanently damage the system. Exposed wiring, circuitry in the charger may cause electric shock. Always keep the charger housing closed.



## USER REQUIREMENTS AND WARNINGS

<b>Age</b>	37-96 months
<b>Max Weight</b>	( 28kgs)

Before using the vehicle the child should understand the vehicle controls and safety issues. They must also demonstrate the capability to handle the vehicle and operate its controls.

It is the responsibility of the adult to educate the child and supervise the vehicles use. Read the following safety warnings to any child using the vehicle before riding.

## ⚠ WARNING!

- Never leave child unattended. Always supervise the child.
- Always sit in the seat when using the vehicle.
- Keep your hands, hair and clothes away from moving parts.
- Always wear shoes when using the vehicle.
- Only one rider is allowed on the vehicle at a time.
- Children under 3 years of age cannot use the vehicle.
- Only drive on level ground.
- Do not go near swimming pools or other bodies of water, drop-offs or up and down steep inclines.
- Do not drive the vehicle into loose dirt, mud, sand or fine gravel.
- Do not drive the vehicle on streets or near cars.
- Not to be used in traffic.

## CARE WARNINGS

### ⚠ WARNING!

- Park the vehicle indoors or cover it with a tarp to protect it from wet weather.
- Do not leave the vehicle in the sun for long periods of time or fading may occur. Store in shade or cover with tarp.
- Do not wash the vehicle with a hose.
- Do not wash the vehicle with soap and water.
- Pay attention while driving the vehicle, avoid falls or collisions causing injury to the user or third parties.
- Please check the component parts before using, and make regularly examine the transformers or battery chargers for in the event of any damage on the cord, plug, enclosure and other parts, the vehicle shall not be used until the damage has been repaired, to avoid an accident.

## RE-CHARGE INTERVAL AND TIME Important!

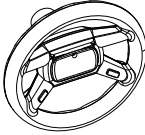






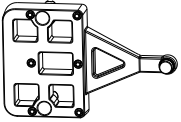

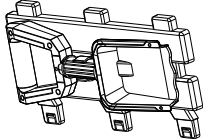
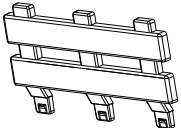
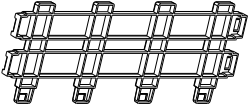


- Damage to the battery may occur if it is allowed to drain completely. Do not allow the battery to drain completely.
- Check the battery and charger (supply cord, connector) for wear and damage before charging. Do not charge the battery if damage has occurred.
- On average you will need to charge the battery between 8 and 12 hours.
- Do not charge the battery for more than 20 hours. Failure to charge the battery as directed could cause permanent damage to the battery and void the warranty.
- Only an adult who has read and understands the safety warnings should handle, charge and recharge the battery.

## Specification

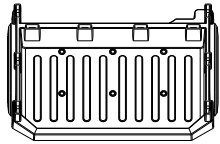
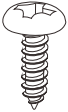
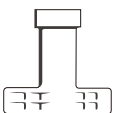
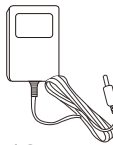
Name	specification
Battery	12V 7Ah ( 6-FM-7 ( Ah ) ) * 1 / 12V 10Ah ( 6-FM-10(Ah ) ) * 1
Motor	Motor: 12V Steering motor:12V
Suitable age	37-96 months
Max weight	28KG
Body size	1550*665*620MM
Speed	3-6KM/h
Hours of use	charging 8-12 hours , using 1 to 2 hours
Charger	Input: 110V~240V Output: DC 12V 500mA-1000mA
Mainmaterial	PP(polypropylene) and iron

\*The above parameters contain optional features, specific parameters please refer to our samples.

## Parts List



NO.	QTY	PICTURE	NO.	QTY	PICTURE
①	1	 A (Steering Wheel)	②	1	 B (Instruction Book)
③	2	 C (Front Wheel)	④	2	 D (Rear Wheel)
⑤	1 (optional)	 T (Remote control)	⑥	2	 F (Wheel connector)
⑦	2	 G (axle sleeve)	⑧	1	 H (trailer frame)
⑨	1	 I (seat)	⑩	1	 J (trailer guard and spade)
⑪	1	 K (trailer guardrail)	⑫	1	 L (trailer guardrail - front part)
⑬	1	 M (Axle of trailer)	⑭	1	 N (Rear Axle)

\*Photos are for reference ONLY.





15	1		16	2	
		O (trailer)			P (self-tapping screw)
17	2		18	1	
		Q (M8 spanner)			R (Charger)

Configuration A trailer with normal wheel, Configuration B trailer with EVA wheel

### Configuration A

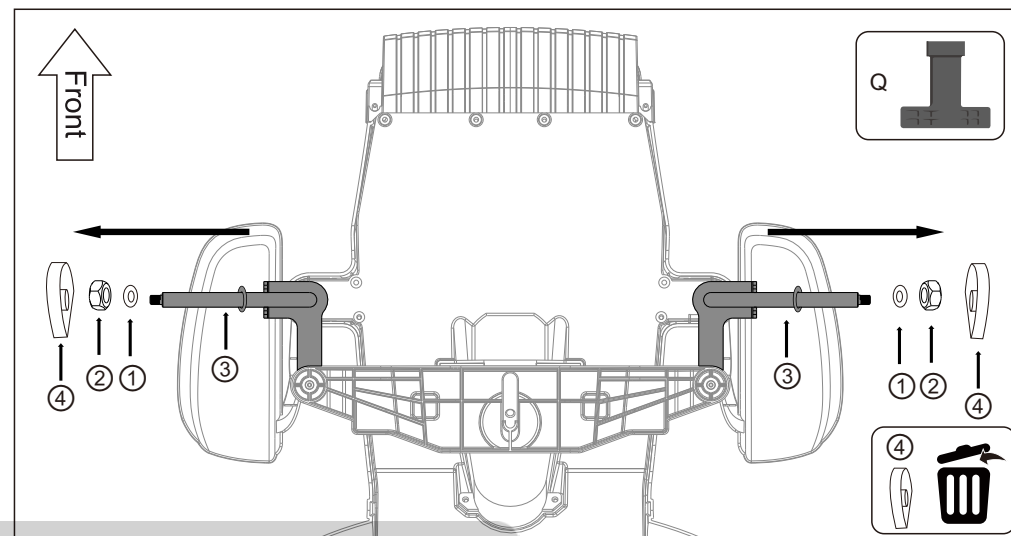
19	2		20	6	
		S (wheel of trailer)			E (Wheel Cover)

### Configuration B

19	2		20	4	
		S1 (wheel of trailer) (EVA wheel)			E (Wheel Cover)
21	2		22	4	
		E2 (Wheel Cover of trailer)			T (wear-proof sleeve)

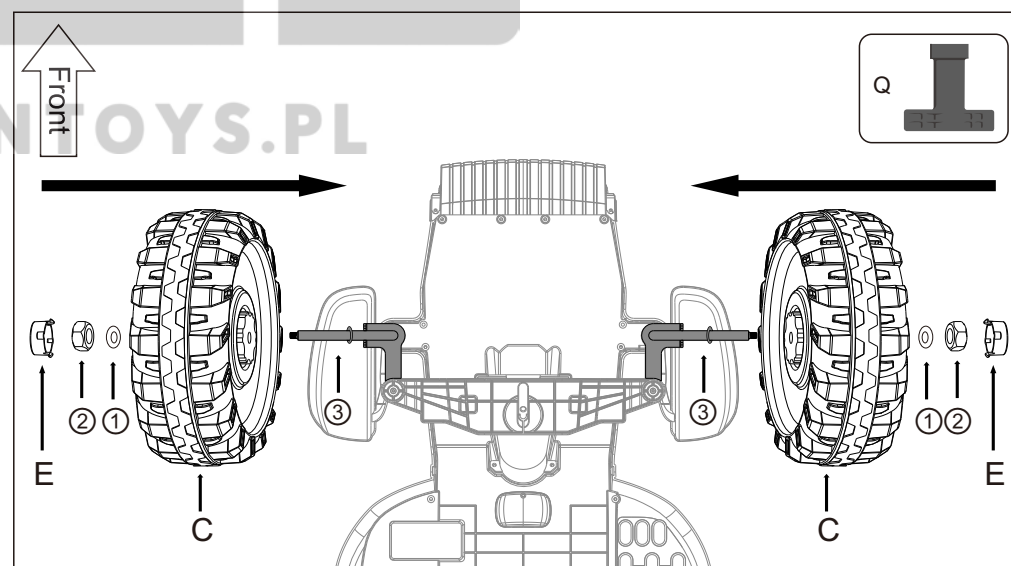
\*Photos are for reference ONLY.

## Installation Steps

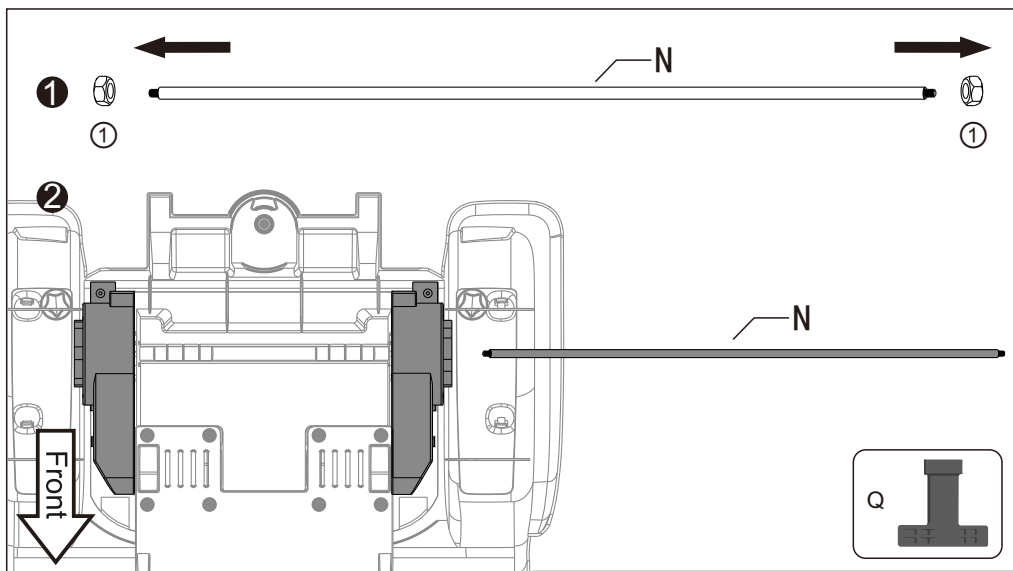


### Step 1: Install the front wheel

A: Use the Q (M8 spanner) to loosen the ② (M8 nut) ① (M8 gasket) and ④ (boot cap for nut) from the ③ (real axle) in a counterclockwise direction.  
 (④ The boot cap using for protecting the nut from damage, please put in the recyclable dustbin)

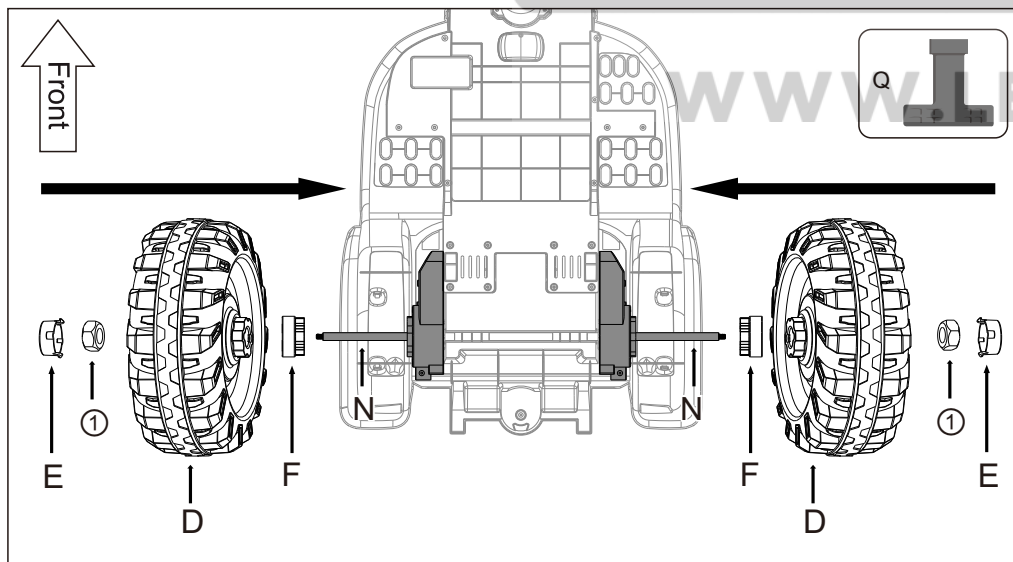


B: Install the C (front wheel), ① (gasket), ② (M8 nut) onto the ③ (front axle), then install the E (wheel cover) on C (front wheel) finally.

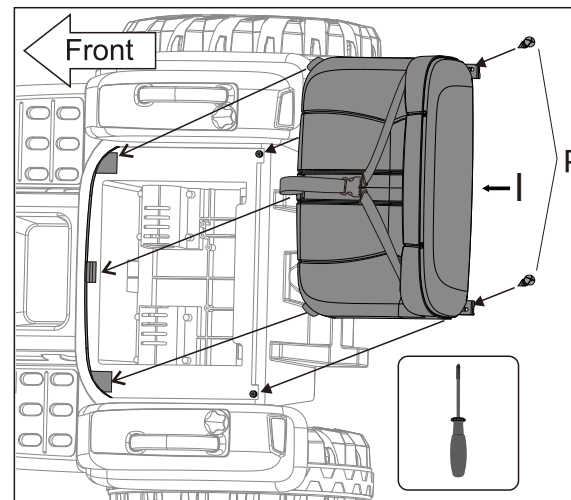


### Step 2: install the rear wheel

- A: 1. Use the Q (M8 spanner) to loosen the ① (M8 nut) from the N (real axle).  
 2. Insert the N (rear axle) pass through the R motor, car body, L motor in order, keep the same length at left and right ends.

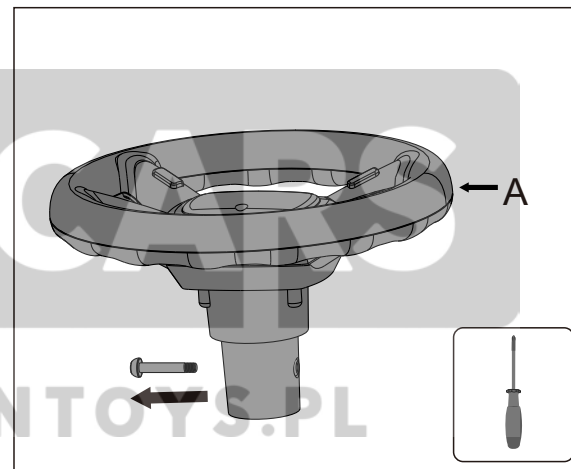


- B: Insert the F (quincunx gear), D (rear wheel), ① (M8 nut) onto the N (real axle), then install the E (wheel cover) on D (rear wheel) finally.



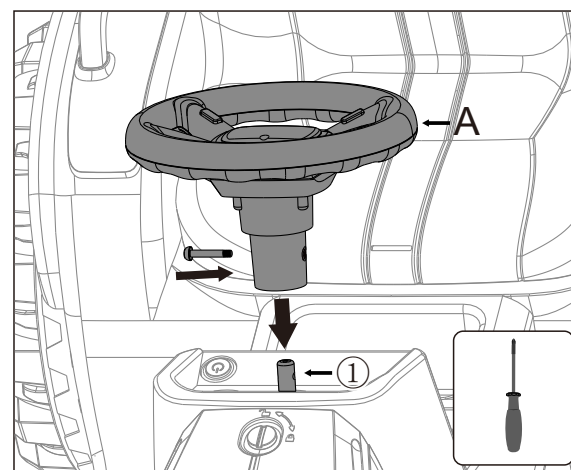
### Step 3: Install the seat

Put the I (seat) onto the right place (Align the 3 hook on the front of seat to the right place on car body, as show in figure), then fix the I (seat) with 2pcs P (self-tapping screw) as shown in figure.



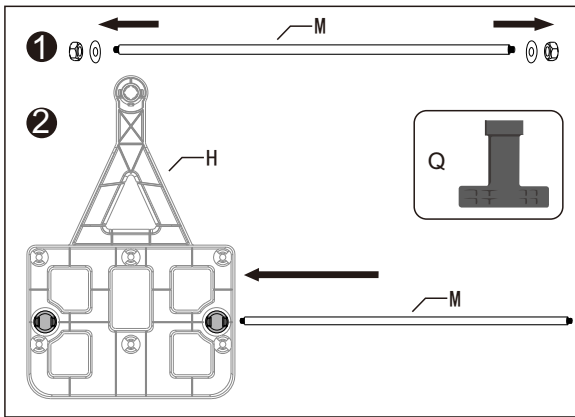
### Step 4-1: Install the steering wheel

Remove the screw from the A (steering wheel) firstly.



### Step 4-2: Install the steering wheel

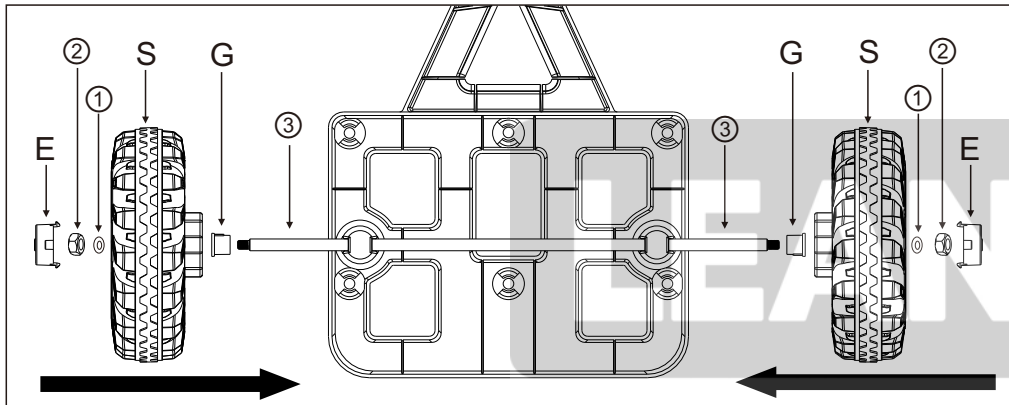
Insert the A (steering wheel) on ① (steering yoke) as shown in figure, then insert the screw back to the A (steering wheel).



### Step 5-1: Install the trailer

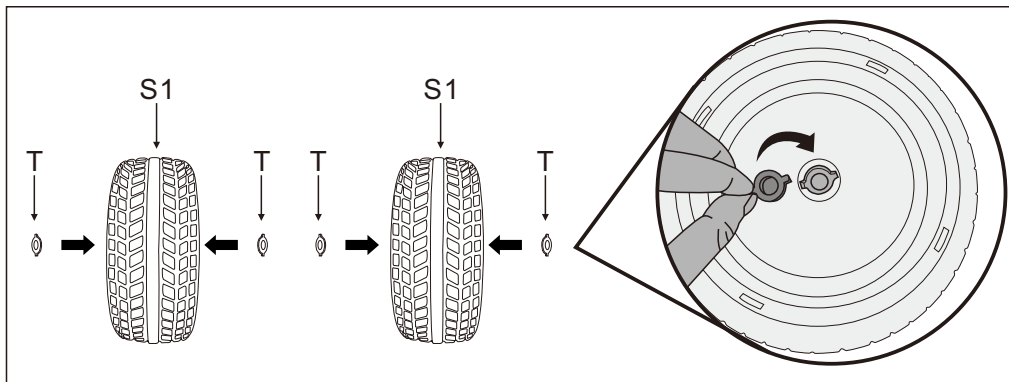
1. Use the Q (M8 spanner) to loosen the M8 nut, gasket from the M (Axle of trailer)
2. Install the M (Axle of trailer) into the H (trailer body part) as shown in figure.

### Configuration A



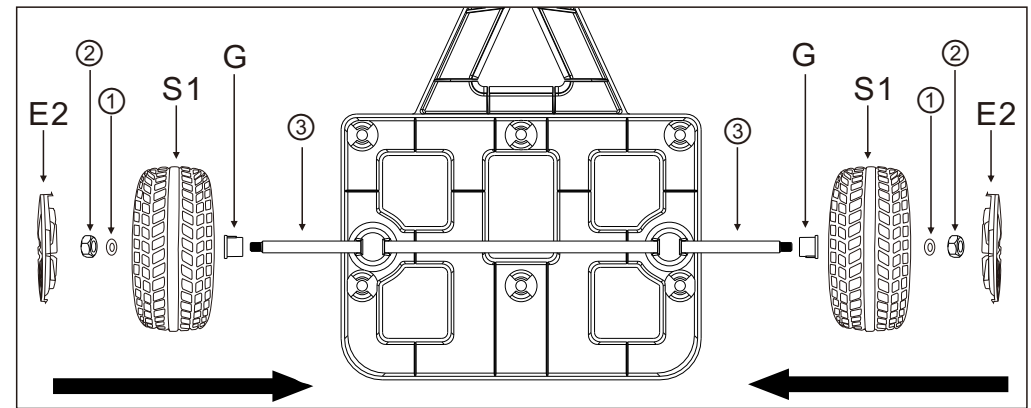
- Step 5-2:** Insert the G (axle sleeve), S (wheel of trailer), ① (gasket), ② (M8 nut) onto the ③ (Axle of trailer), then install the E (wheel cover) on S (wheel of trailer) finally.

### Configuration B

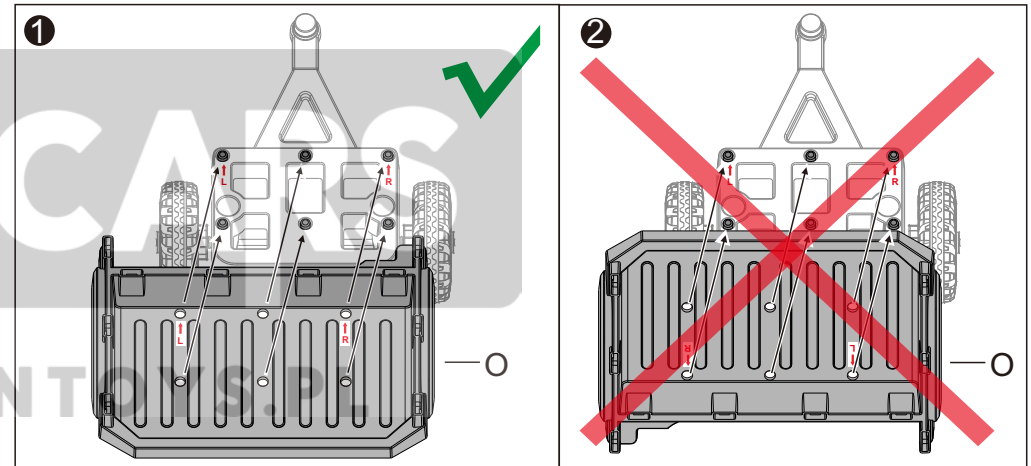


### Step 5-2: Install the trailer

Place two T (wear-proof sleeve) into S1 (wheel of trailer) as shown in figure.

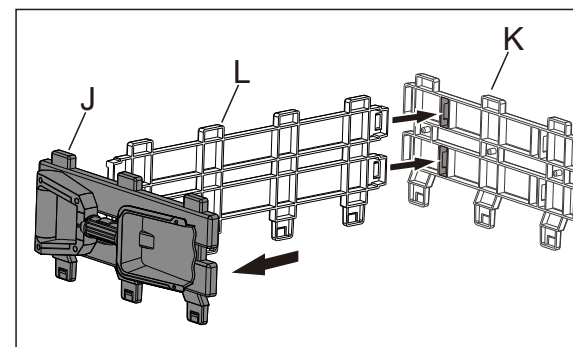


- Step 5-2:** Insert the G (axle sleeve), S1 (wheel of trailer), ① (gasket), ② (M8 nut) onto the ③ (Axle of trailer), then install the E2 (Wheel Cover of trailer) on S1 (wheel of trailer) finally.



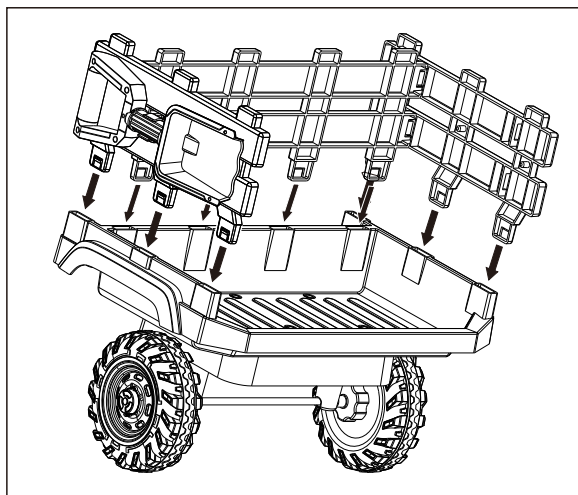
- Step 5-3:** Turn over the trailer frame firstly, then align the 6 hole of O (trailer) with the 6 salient point on trailer frame and press it hardy (Keep the arrow in the same direction, L to the L, R to the R.) . make sure it has reached the designed position.

\*Install the trailer in correct direction follow as figure 1.



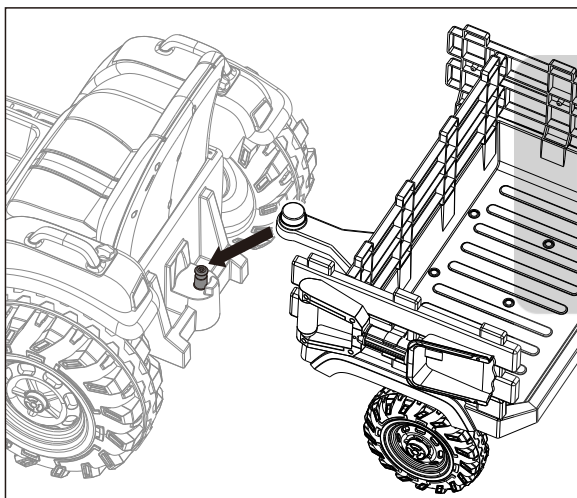
### Step 5-4:

- Install the J (trailer guard and spade), L (trailer guardrail - front part), K (trailer guardrail) as shown in figure.



### Step 5-5:

Insert the trailer guardrail onto the trailer frame as shown in figure (align the 10 hooks with the 10 groove and press it) .

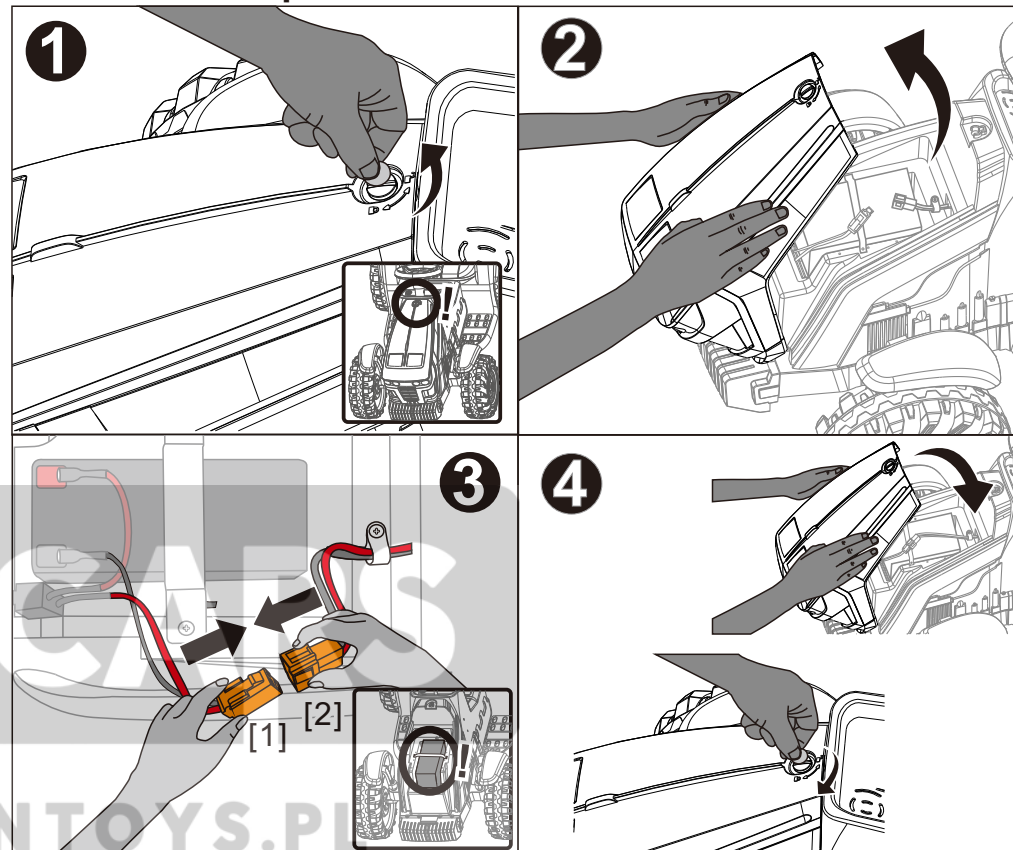


### Step 5-6:

Install the trailer: Align the bar button hole with the bolt at the car and press it hardly.  
Remove the trailer: Keep pressing the button on the bar firstly, then lift the bar to remove it

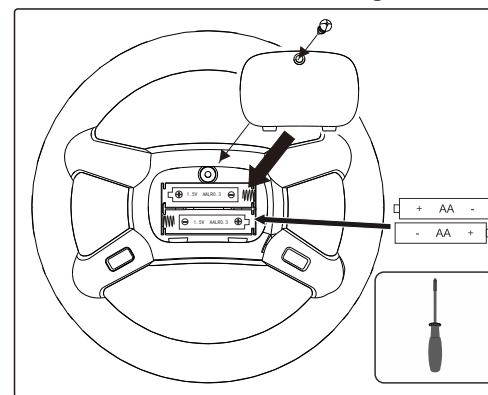
## Direction for use

### 1. connect the power



Use coin or screwdriver to loosen the knob on the hood in counterclockwise direction, then open the hood, connect [1] power port to the [2] motor terminal to power the car, Put back the hood and use coin or screwdriver to tighten it in clockwise direction.

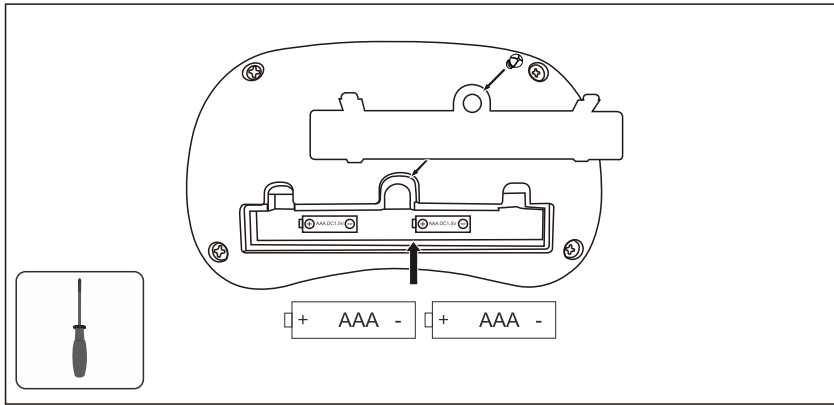
### 2. Install the battery on steering wheel



1. Use screwdriver to loosen the screw to remove the battery cover
2. Put in 2 AA battery in correct electrode
3. Put back the battery cover and use screwdriver to tighten it



### 3. The installation and replacement of the batteries in the remote control: (optional)



Use a screwdriver to remove the battery cover of the remote control, insert two AAA 1.5V dry batteries in correct polarity. Close the battery cover and fix it with the screw. (Battery replacement also according to the above steps)

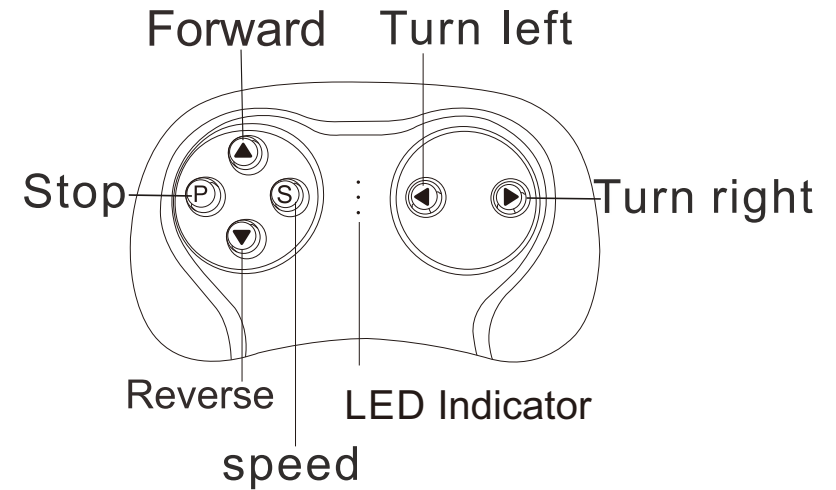
#### ⚠ WARNING!

1. All batteries should be inserted in the correct polarity.
2. Non-rechargeable battery cannot be recharged
3. Before charging, the rechargeable battery must be taken out from the toys.
4. Take out and properly deal with the dead battery. To avoid injury, please keep kids away from the battery.
5. The direct contact between the positive and negative terminals may result in fire or explosion. Avoid direct connect between the terminals.
6. Do not mix old and new batteries. DO not mix alkaline, standard (carbon-zinc), or rechargeable (nickel-cadmium) batteries.
7. Only an adult who has read and understood the safety warnings can recharge the battery.

Use a screwdriver to remove the battery cover of the remote control, insert two AAA 1.5V dry batteries in correct polarity. Close the battery cover and fix it with the screw. (Battery replacement also according to the above steps)

### 4. Matching the frequency of car and remote control

The remote control operation always prior to the manual control operation  
(The manual control won't work while operating remote control)

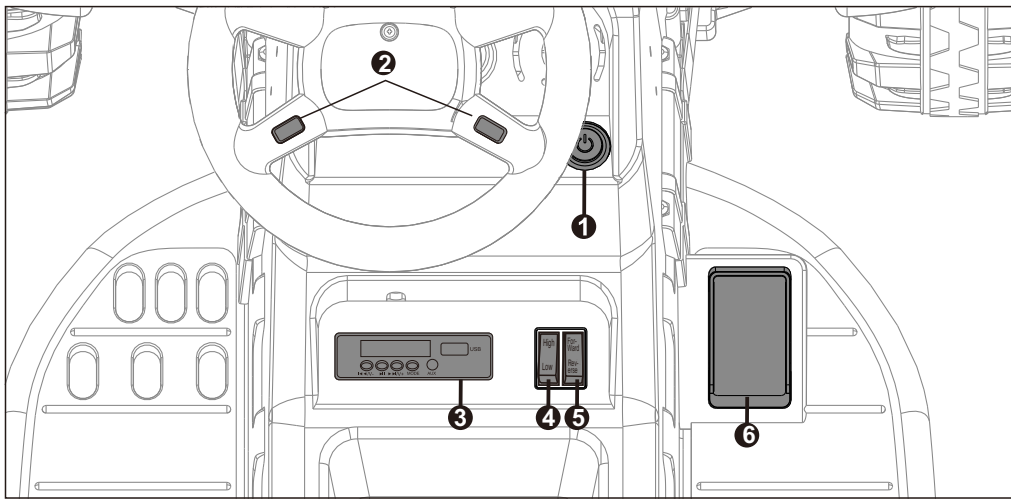


1. Turn off the Power Switch on the car.
2. Remove the battery cover on the Remote Control and put in 2 AAA battery, the three LED indicators will flash.
3. Turn on the Power Switch on the car, when the LED indicators stop flashing and 2 of them are on, matching successes.
4. Once the matching is made, there is no need to match code again only if the battery is replaced.
5. The Remote Control will enter a sleep mode if not used for a long time and the LED indicators will be off. Press any buttons to wake up the Remote Control, and it can be used normally.

Button Description: ▲: forward ▼: reverse ◀: turn left ▶: turn right  
S: Speed P: emergency brake, press it and the running function will fail, press again, it release.

### Remote control operating instruction

Remote control is priority (when the car is in Remote control, the remote control personnel can control the car forward and backward, high/Low speed, steering and other functions, the driver CAN NOT operate the car). Press the ▲ forward button, the car goes forward. Press ▼ reverse button, the car goes reverse. Press the P button to brake the car urgently. Press P button again to release the brake system. Press the turn left button, car turn left, Press the turn right button, car turn right, The S button is speed button, one light on is low speed, two lights on for intermediate speed, three lights on for high speed.



## 5. Instruction of each switch and function button

1. Power switch: Turn on or turn off the power.
2. Horn button: press the button to play the horn.
3. Mp3 multifunctional player.
4. High/low speed switch: press the "high" or "low" to adjust the car speed.
5. Forward/Reverse switch: press the button for controlling the Vehicle to move forward, Reverse.
6. Foot pedal switch: step on the foot pedal switch, the car will move forward, loosen the pedal, the car will stop.

## 6. Operation guide for Manual control (forward, Reverse):

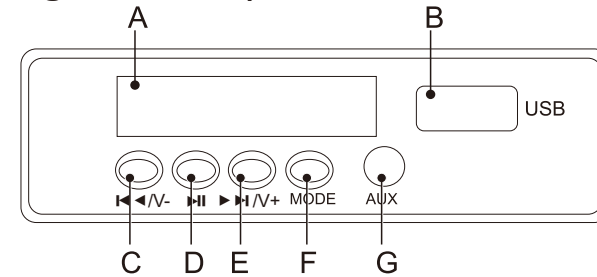
After the driver is seated, press the power switch, the car will send out a starting sound (2-5seconds). Put the Forward/Reverse switch into the position of "forward" (Press forward), step on the foot switch the car will move forward, loosen the pedal the car will stop. Put the Forward/Reverse switch into the position of "Reverse", step on the foot switch the car will move Reverse, loosen the pedal the car will stop.

## 7. The illustration of High/Low Speed

The high/low speed switch into the position of "low speed", step on the foot switch the car will move forward slowly, loosen the pedal the car will stop. Put the high/low speed switch into the position of "high speed", step on the foot switch the car will move forward fast, loosen the pedal the car will stop.

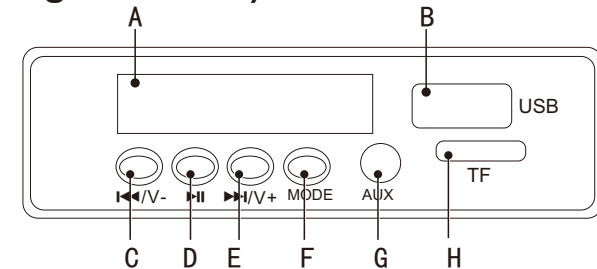
**\* ONLY one speed for reverse, the high/low switch can not control the reverse speed.**

## 8-1. Instruction for MP3 multifunction player (Configuration A)



- A. Voltage display screen: The value on the display be used to determine whether the battery needs to be charged.
- B. USB connector: insert USB will play the music inside. Only MP3 mode is supported.
- C.  $\lll/V-$  button: Last channel/volume down: short press to play the last channel, long press to lower the volume.
- D.  $\text{||}$  button: Short press this button is pause. Note: in FM mode, long press this button will search radio station.
- E.  $\ggg/V+$  button, Next channel / Volume up: short press to play the next channel, long press to increase the volume.
- F. Mode switch button: Can switch between different play modes.
- G. AUX connector: connect with other removable device to play audio file valid.
- I. FM function: press the MODE key to enter the FM mode, long press  $\text{||}$  to search the channel ( it needs around 1 minute ), after that it will automatically lock the radio channel, and it has the memory function, the channel info. will not lose even turn off the power. ( please repo at this operating steps if you want to research the channel ). Short press  $\text{||}$  is pause,  $\ggg/V+$  will play next channel,  $\lll/V-$  will play last channel.

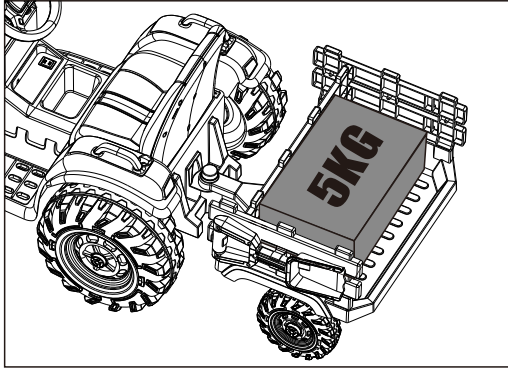
## 8-2. Instruction for MP3 multifunction player (Configuration B)



- H. TF card slot: Plug TF card into the TF card slot, the car will read and play the audio file in TF card. (Only support MP3 format)

**Other functions are same with Configuration A**

## 9. Reminder on using the trailer:

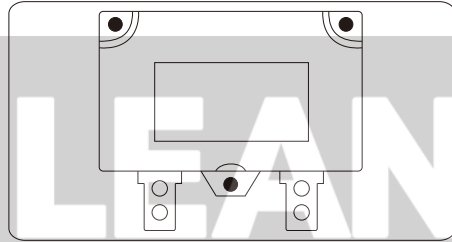


### ⚠️ WARNING!

The Maximum load for trailer NOT exceeding 5 kg.

## 10. Instructions of the recoverable fuse

Resettable fuse: when the current exceeds a certain rating, the recoverable fuse will automatically cut off the power supply for 5-10seconds, then the current will be resupplied.



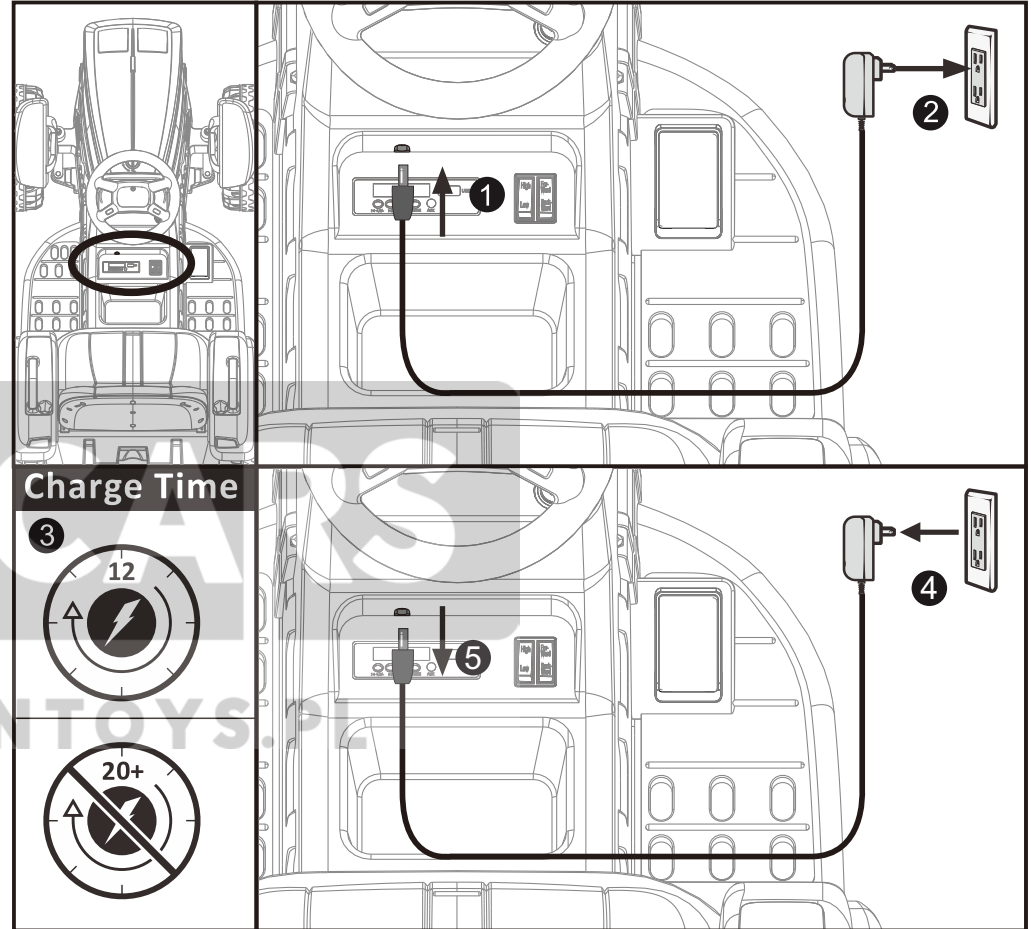
### ⚠️ WARNING

**RISK OF FIRE.** Do not bypass fuse. This may overload and damage the electrical system. Replace only with original size and type.

## 11. Charging instructions.

### ⚠️ WARNING!

Please plug wall charger directly into a wall outlet. Do not use an extension cord.



When battery power is low, please charge it immediately. The charging port is above the MP3 multifunctional music board. (Note: toys can not be operated in the charging state. Toys should be recharged by adult operation).

# Troubleshooting

Fault type	Reason analysis	Trouble elimination methods
The motor does not rotate	<ol style="list-style-type: none"> <li>1. Is the fuse overloaded?</li> <li>2. The pedal switch connector is good?</li> <li>3. The welding of motor electric terminal is good?</li> <li>4. The connector of the motor wire is good?</li> <li>5. Remove the motor's plug-in, change to connect battery directly, then check if it rotate or not.</li> </ol>	<ol style="list-style-type: none"> <li>1. Yes, the fuse cuts off the power automatically by 5-20 seconds, then restart; No, check next reason analysis</li> <li>2. No, repair foot switch ; Yes, check next reason analysis</li> <li>3. No, weld the terminal wire ; Yes, check next reason analysis</li> <li>4. No, plug in the plug-in ; Yes, check next reason analysis</li> <li>5. Still no rotation, change the motor; If rotates, it means driving circuit board needs professional maintenance, please contact with agent</li> </ol>
Only move frontwards, or only move backwards	<ol style="list-style-type: none"> <li>1. Check the frontward/backward switch, check the connector is good or not by multimeter</li> <li>2. Check the drive line cycle of frontward/bckwards is workable or not?</li> </ol>	<ol style="list-style-type: none"> <li>1. No, change the frontward /backward switch; Yes, check next reason analysis</li> <li>2. No, connect the line; Yes, it means driving circuit board needs professional maintenance, please contact with agent</li> </ol>
slow speed	<ol style="list-style-type: none"> <li>1. Check the battery voltage is ok or not.</li> <li>2. Connect the motor (including the driving gearbox) to the battery, then check the speed can be accelerated or not.</li> </ol>	<ol style="list-style-type: none"> <li>1. No, charger the battery ; Yes it's ok, check next reason analysis</li> <li>2. No, check next reason analysis ; Yes, it means driving circuit board needs professional maintenance, please contact with agent</li> </ol>
The battery can not be recharged	<ol style="list-style-type: none"> <li>1. The battery connector fall off or loosened.</li> <li>2. The charger has a slight heat when it is charged</li> </ol>	<ol style="list-style-type: none"> <li>1. Yes, reconnect it, No, check next reason analysis</li> <li>2. No, the charger is broken, replace it</li> </ol>
No sound of horn	<ol style="list-style-type: none"> <li>1. Check the switch on steering wheel is workable or not.</li> <li>2. Is there a battery in the steering wheel?</li> </ol>	<ol style="list-style-type: none"> <li>1. No, replace the switch; Yes, check next reason analysis</li> <li>2. No, install the battery ; Yes, check next reason analysis</li> </ol>
No power start sound or FM multimedia player function	Check the MP3 Multimedia player is workable or not?	No, replace the MP3 player; Yes, check next reason analysis
When wheel running, the car does not move	<ol style="list-style-type: none"> <li>1. check the driving wheel can be rotated or not?</li> <li>2. Check the gearbox, if any gear is damaged?</li> </ol>	<ol style="list-style-type: none"> <li>1. Yes, lay the wheel to the ground; No, checks the next reason analysis</li> <li>2. Yes, replace the gear box; No, checks the next reason analysis</li> </ol>
Car is unstable, moving on and off	<ol style="list-style-type: none"> <li>1. Does the driver exceed the maximum load weight?</li> <li>2. Does the driver ride on the rugged road?</li> <li>3. Check the wheel can rotate freely?</li> </ol>	<ol style="list-style-type: none"> <li>1. Yes, should follow the instruction, the car unsuitable for exceed maxweight; No, check the next reason analysis</li> <li>2. Yes, should follow the instruction, ride on the flat cement road ; No, check the next reason analysis No, Troubleshooting wheel and axle</li> </ol>

LEANTOYS CARS

WWW.LEANTOYS.PL