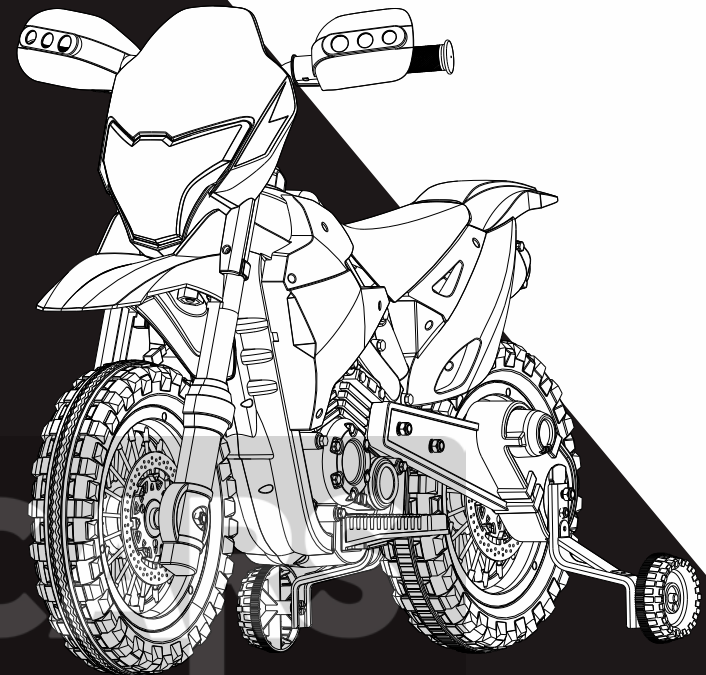


# INSTALLATION AND OPERATING INSTRUCTIONS

Children's electric cars

## ⚠ WARNING:

- Assembly by an adult.
- This toy is unsuitable for children under 3 years due to its maximum speed.
- Protective equipment should be worn. Not to be used in traffic. A reminder that the toy should be used with caution since skill is required to avoid falls or collisions causing injury to the user or third parties.



Executive standard:  
En71 and En62115  
ASTM F963-17

WWW.LEANTOYS.PL

Photos are for reference ONLY.

# INSTALLATION INSTRUCTION

The illustrations in this instruction are used for easier understanding of the operation method of the product and the product structure. Please note there may be differences between the pictures and the physical item.

In order to improve the quality, we may change part of the structure and appearance of the product without an advance notice.

**⚠** Please read the instructions carefully before use, it will tell you the right operation method and installation steps. Incorrect operation may damage the product, or even hurt your child. Please keep this instruction ready and easy to find.

## 1 Safety

### ⚠ WARNING!

The owner's manual contains assembly, use and maintenance instructions. The vehicle must be assembled by an adult who has read and understands the instructions in this manual. Keep the pack-aging away from children and dispose of all packaging before use.

**Note:** For best performance use on flat, hard surfaces.

The following safety hazards may result in serious injury or death to the user of the vehicle:

- This product contains small parts that are for adult assembly only. Keep small children away when assembling. Remove and dispose of all protective material and poly bags before assembly. Be sure to remove all packaging materials and parts from underneath the vehicle body.
- Battery posts, terminals and related accessories contain lead and lead compounds (acids) chemicals known to the state of California to cause cancer, reproductive harm, and are toxic and corrosive. Never open the battery.
- Body parts such as hands, legs, hair and clothing can get caught in moving parts. Never place a body part near a moving part or wear loose clothing while using the vehicle. Always wear shoes when using the vehicle.
- This toy does not have brakes or any braking capability. Do not leave a child unattended while using this toy or allow use of this toy in any location that requires braking capability, as this could result in a roll away or loss of control, which may cause serious injury or death.
- Using the vehicle near streets, motor vehicles, drop-offs such as: steps,

water (swimming pools) or other bodies of water, sloped surfaces, hills, wet areas, flammable vapors, in alleys, at night or in the dark could result in an unexpected accident. Always use the vehicle in a safe, secure environment with continuous adult supervision.

- Using the vehicle in unsafe conditions such as snow, rain, loose dirt, mud, sand or fine gravel may result in unexpected action such as tip over and skidding, and damage to the electrical system and battery.
- Using the vehicle in an unsafe manner. Examples include but are not limited to:
  - a. Pulling the vehicle with another vehicle or similar device
  - b. Allowing more than one rider
  - c. Pushing the user from the back
  - d. Traveling at an unsafe speed

Always use common sense and safe practices when using the vehicle

## BATTERY WARNINGS

### ⚠ WARNING!

The following safety hazards may result in serious injury or death to the user of the vehicle:



- Use of a battery or charger other than the supplied 6V rechargeable battery and charger may cause a fire or explosion. Only use the supplied 6V rechargeable battery and charger with the vehicle.

- Using the 6V rechargeable battery and charger for any other product may result in overheating, fire or explosion. Never use the 6V rechargeable battery and charger with another product.

- Explosive gases are created during charging. Charge the battery in a well ventilated area. Do not charge the battery near heat or flammable materials.

- Contact between the positive and negative terminals may result in fire or explosion. Avoid direct contact between the terminals. Picking up the battery by the wires or charger can cause damage to the battery and may result in a fire. Always pick up the battery by it's case or handles.



- Liquids on the battery may cause fire or electric shock. Always keep all liquids away from the battery and keep the battery dry.



- Contact or exposure to battery leakage (lead acid) may cause serious injury. If contact or exposure occurs immediately call your physician. If the chemical is on the skin or in the eyes, flush with cool water for 15 minutes. If the chemical was swallowed,

immediately give the person water or milk. Do not give water or milk if the patient is vomiting or has a decreased level of alertness. Do not induce vomiting.

- Battery posts, terminals and related accessories contain lead and lead compounds (acid), chemicals known to the State of California to cause cancer, reproductive harm and are toxic and corrosive. Never open the battery.
- Tampering or modifying the electric circuit system may cause a shock, fire or explosion and permanently damage the system. Exposed wiring, circuitry in the charger may cause electric shock. Always keep the charger housing closed.



## USER REQUIREMENTS AND WARNINGS

<b>Age</b>	37-96 months
<b>Max Weight</b>	(20kgs)

Before using the vehicle the child should understand the vehicle controls and safety issues. They must also demonstrate the capability to handle the vehicle and operate its controls. It is the responsibility of the adult to educate the child and supervise the vehicles use. Read the following safety warnings to any child using the vehicle before riding.

## ! WARNING!

- Never leave child unattended. Always supervise the child.
- Always sit in the seat when using the vehicle.
- Keep your hands, hair and clothes away from moving parts.
- Always wear shoes when using the vehicle.
- Only one rider is allowed on the vehicle at a time
- Children under 3 years of age cannot use the vehicle.
- Only drive on level ground.
- Do not go near swimming pools or other bodies of water, drop-offs or up and down steep inclines.
- Do not drive the vehicle into loose dirt, mud, sand or fine gravel.
- Do not drive the vehicle on streets or near cars.
- Not to be used in traffic.

## CARE WARNINGS

### ! WARNING!

- Park the vehicle indoors or cover it with a tarp to protect it from wet weather.
- Do not leave the vehicle in the sun for long periods of time or fading may occur. Store in shade or cover with tarp.
- Do not wash the vehicle with a hose.
- Do not wash the vehicle with soap and water.

## RE-CHARGE INTERVAL AND TIME Important!



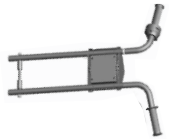

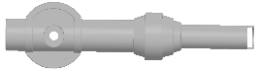

- Damage to the battery may occur if it is allowed to drain completely. Do not allow the battery to drain completely.
- Check the battery and charger (supply cord, connector) for wear and damage before charging. Do not charge the battery if damage has occurred.
- On average you will need to charge the battery between 8 and 12 hours. Do not charge the battery for more than 20 hours. Failure to charge the battery as directed could cause permanent damage to the battery and void the warranty.
- Only an adult who has read and understands the safety warnings should handle, charge and recharge the battery.






## Specification

Name	specification
Battery and fuse	(Recoverable fuse: 5A) (6V4.5AH*1)
Motor	single drive 6V(Rotational Speed:18000r/min)
Suitable age	37-96 months
Maxweight	20KG
Body size	1080*520*720MM
Speed	3-6KM/h
Hours of use	charging8-12hours, using1 to 2 hours
Charger	Input: 110~240V Output:DC 6V 500MA
Mainmaterial	PP(polypropylene) and iron

\*The above parameters contain optional features, specific parameters please refer to our samples.

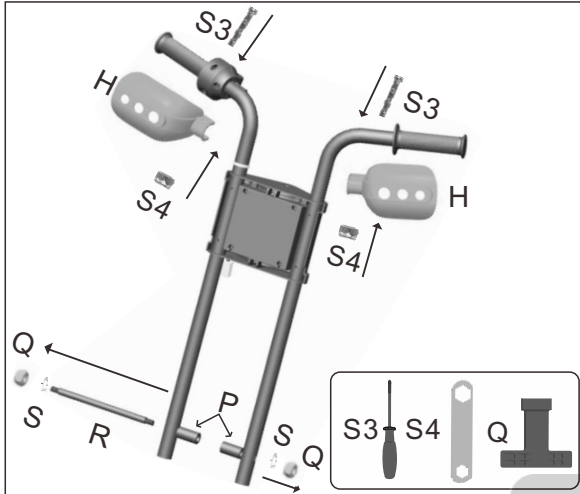
## Parts List

NO.	QTY	PICTURE	NO.	QTY	PICTURE
①	1		②	1	
		A(Car head)			B(Instructions)
③	1		④	1	
		C(Handlebar)			D(Front fender)
⑤	2		⑥	1	
		E(Front wheel suspension shield)			F(Music box)

NO.	QTY	PICTURE	NO.	QTY	PICTURE
⑦	1		⑧	1	
		G(Front wheel)			H (handlebar shield)
⑨	1		⑩	1	
		I(Right foot pedal)			J(Left foot pedal)
⑪	1		⑫	2	
		K( Foot pedal hold-open catch)			L(Jockey pulley)
⑬	1		⑭	2	
		N(Steering rod fixed axis)			O(M8 Spanner)
⑮	1		⑯	6	
		S1 (Spanner)			S2(self-tapping screw)
⑰	2		⑱	2	
		S3 (M5 Screw)			S4 (M5 Nut)
⑲	1				
		S5 (M5 Spanner)			

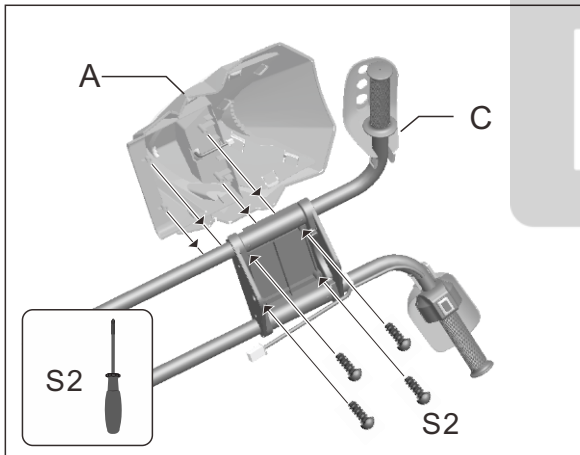
\*Photos are for reference ONLY.

## Installation Steps



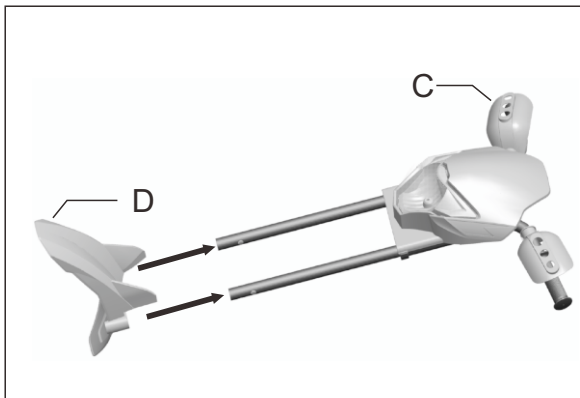
### Preparation for Installation:

1. Take out C (handlebar components), put H (handlebar shield) on the corresponding position as shown in figure, use S3 (M5 screw) and S4 (M5 nut) to fix H (handlebar shield) and handlebar together. (Use S5 (M5 spanner)).
2. Use O (M8 spanner) to loosen and remove Q (M8 nuts), S (M8 shims), R (front axle), P (front wheel axle sleeve) from the handlebar components.



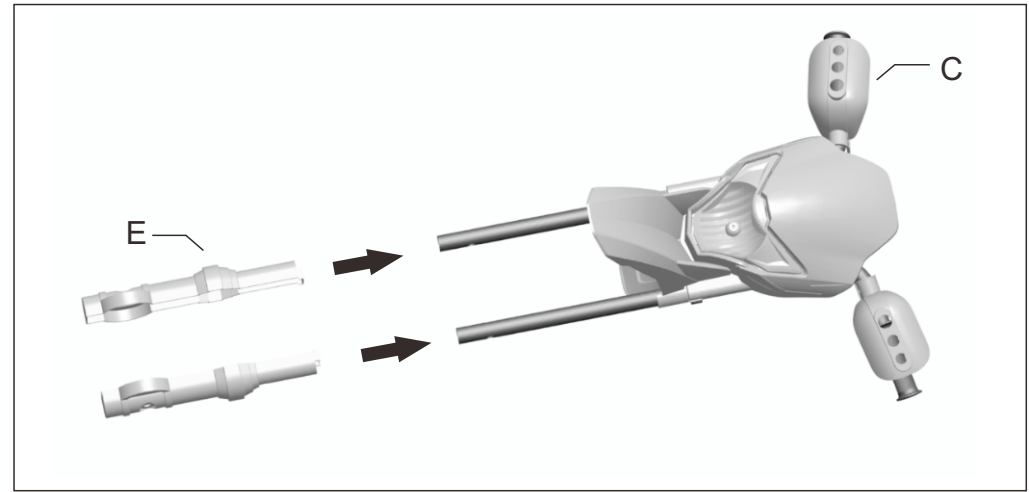
### Install car head:

Find the corresponding position on the C (handlebar) as shown in figure, use 4 S2 (self-tapping screw) to fix A (car head) onto this position.



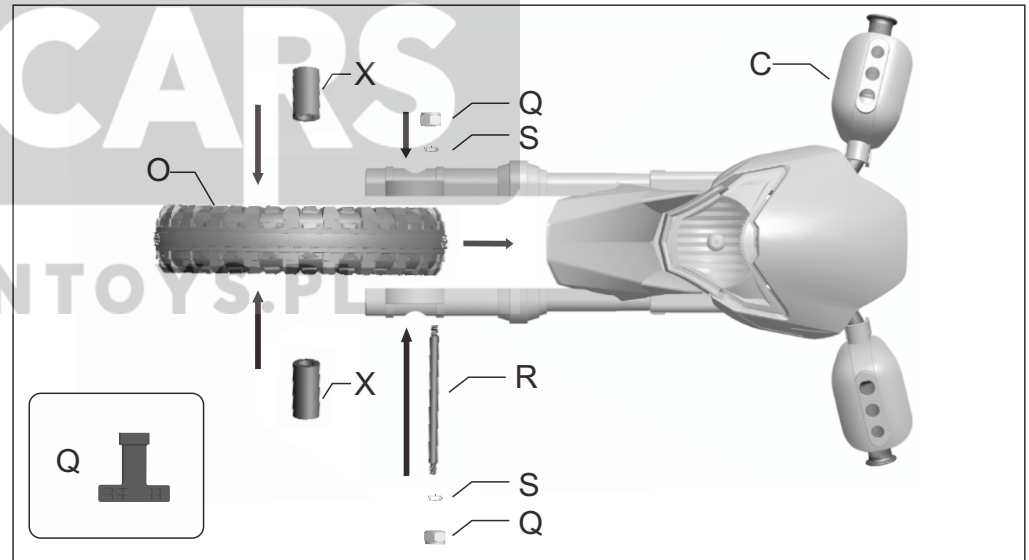
### Install front fender:

Press and fix the D (front fender) onto the C (handlebar) as shown in figure.



### Install front wheel suspension shield:

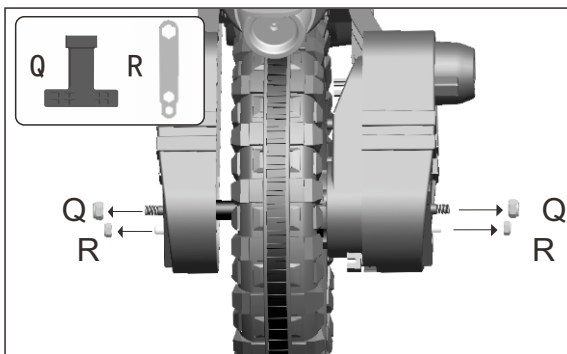
Press and fix the E (front wheel suspension shield) onto the C (handlebar) as shown in figure. (Please pay attention to the installing direction)



### Install front wheel components:

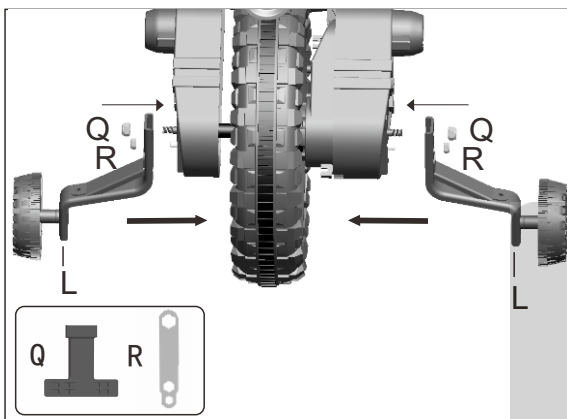
1. Install X (Front wheel axle sleeve) into the corresponding position on O (front wheel)
2. Install O (front wheel) onto the corresponding position on C (handlebar) as shown in figure.
3. Press R (front axle) through all the front wheel components.
4. Put two S (M8 shims) on both sides of the R (front axle), then fix the both sides of the front axle by turning the two Q (M8 nuts) in a clockwise direction. (NOTE: Turn Q (M8 nut) in a anticlockwise direction to unsnatch it from front axle first).





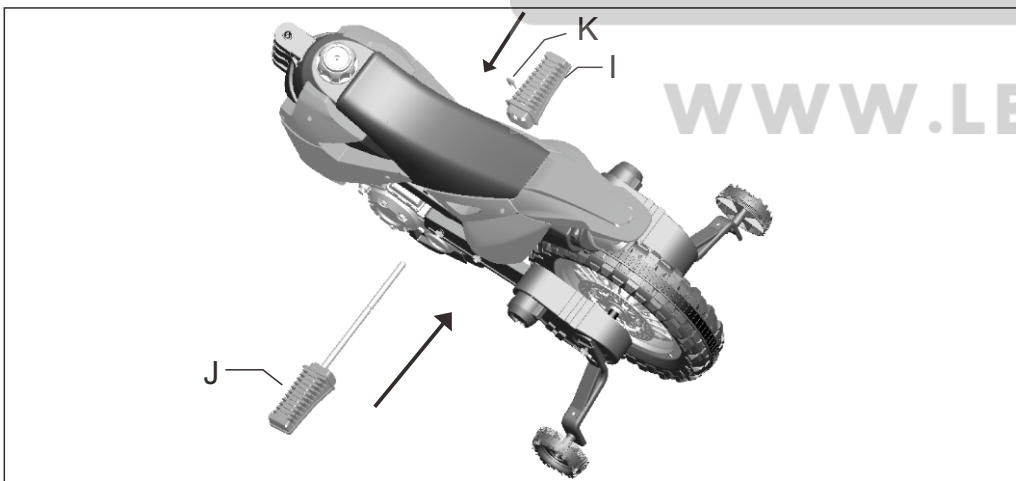
### Install jockey pulley I:

1. Use Spanner in a anticlockwise direction to unsnatch two Q (M8 nuts) from the rear axle.
2. Use spanner in a anticlockwise direction to unsnatch two R (M6 nuts) from the jockey pulley fixed axis.



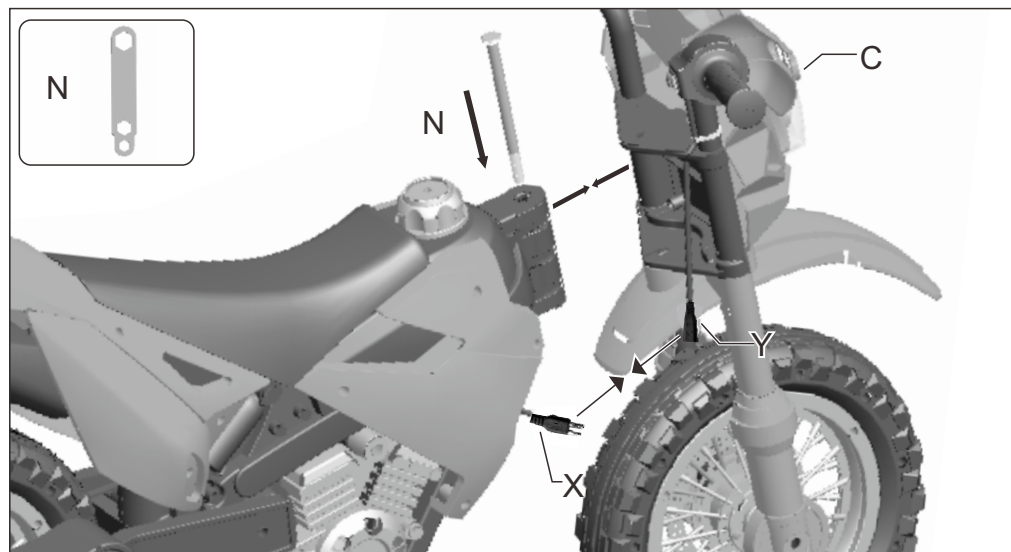
### Install jockey pulley II:

1. Install L (right and left jockey pulleys) on the corresponding position as shown in figure.
2. Use spanner in a clockwise direction to fix two R (M6 nuts) on the jockey pulley fixed axis .
3. Use spanner in a clockwise direction to fix two Q (M8 nuts) on the rear axle.



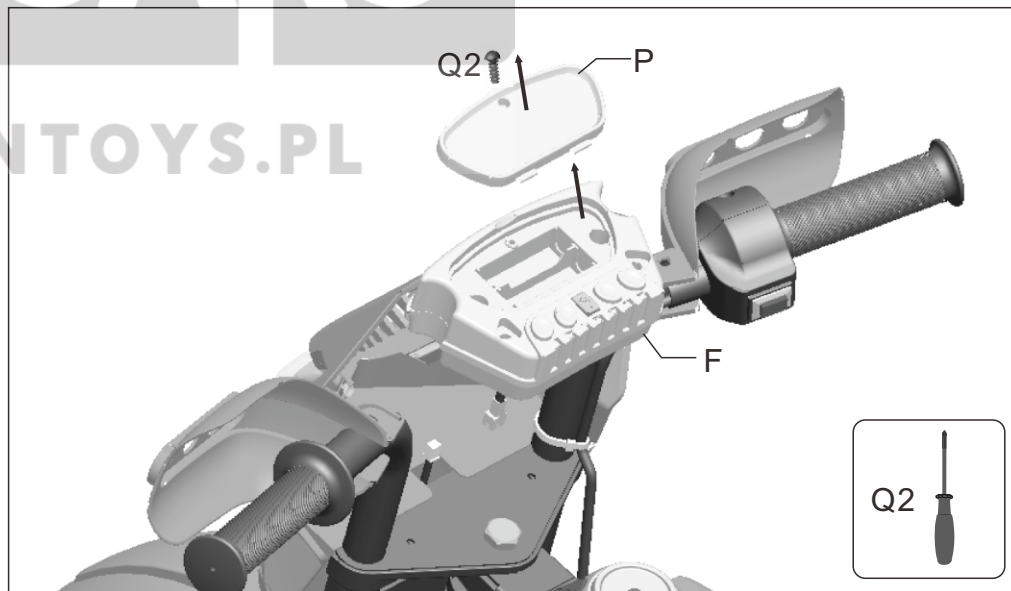
### Install foot pedal:

1. Press and fix J (left foot pedal) on the corresponding position as shown in figure.
2. Press and fix I (right foot pedal) on the corresponding position as shown in figure.
3. Use K (Foot pedal hold-open catch) to fix two foot pedal.



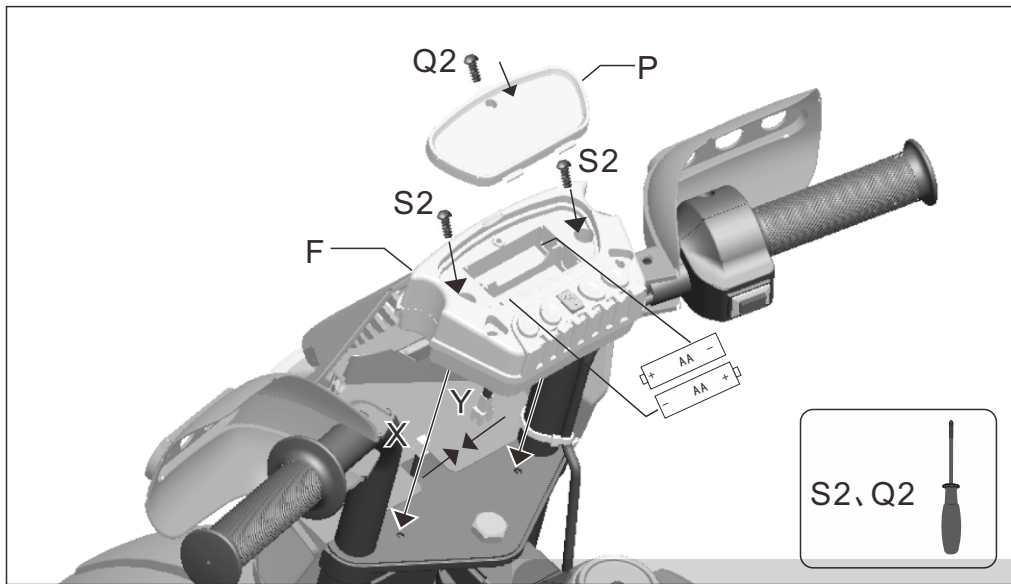
### Install handlebar components:

1. Place C (handlebar components) on the corresponding position on the car body as shown in figure.
2. Press N (Steering rod fixed axis) into the hole as shown in figure, use spanner in a clockwise direction to fix it.
3. Properly connect X and Y (terminals for power supply ).



### Install music board I:

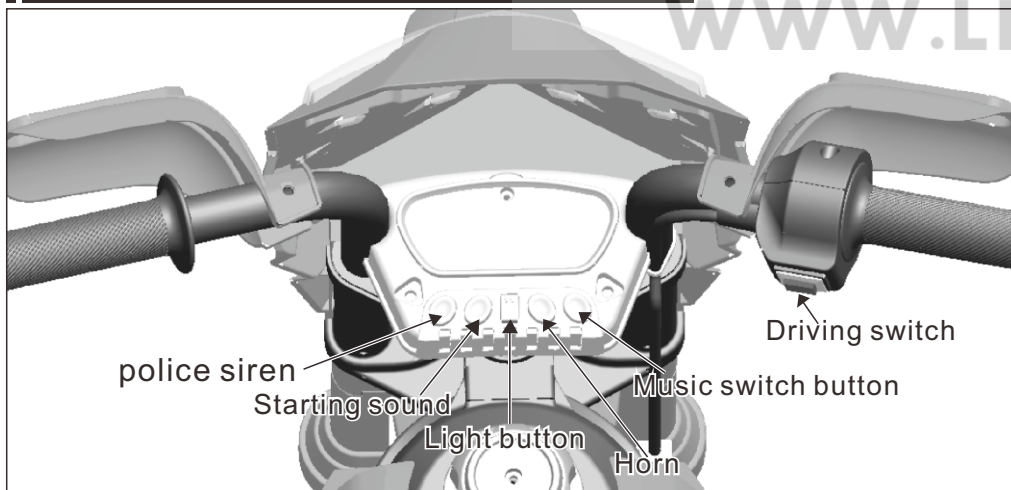
1. Use screwdriver to remove Q2(self-tapping screw).
2. Take P (music box battery cover) down from F (music box).



**Install music board II:**

1. Properly connect X and Y lamp line terminal.
2. Place F (music box) on the corresponding position as shown in figure. Use two S2 (self-tapping screw) to fix F.
3. Properly install two AA (No.5) 1.5V batteries.
4. Use Q2 (self-tapping screw) to fix P (music box battery cover) on the right position.

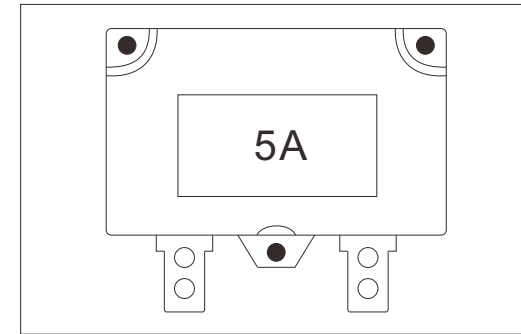
**Direction for use**



**1. Instructions for press key**

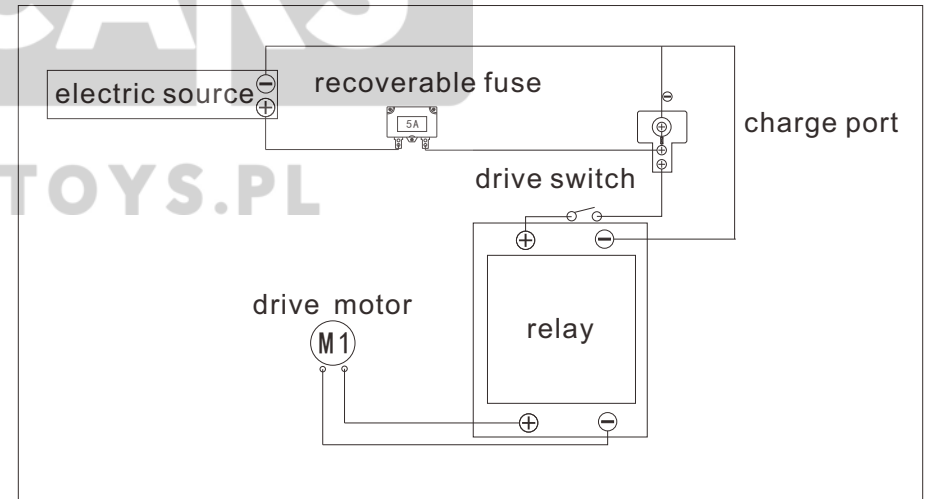
After the driver seated, press the driving switch to drive the car.

**2. Instructions of the recoverable fuse**



When the current exceeds 5 amperes, the recoverable fuse will automatically cut off the power supply for 5-10seconds, then the current will be resupplied. (optional)

Simple circuit diagram for single-drive, no-remote-control version (only has forward function)

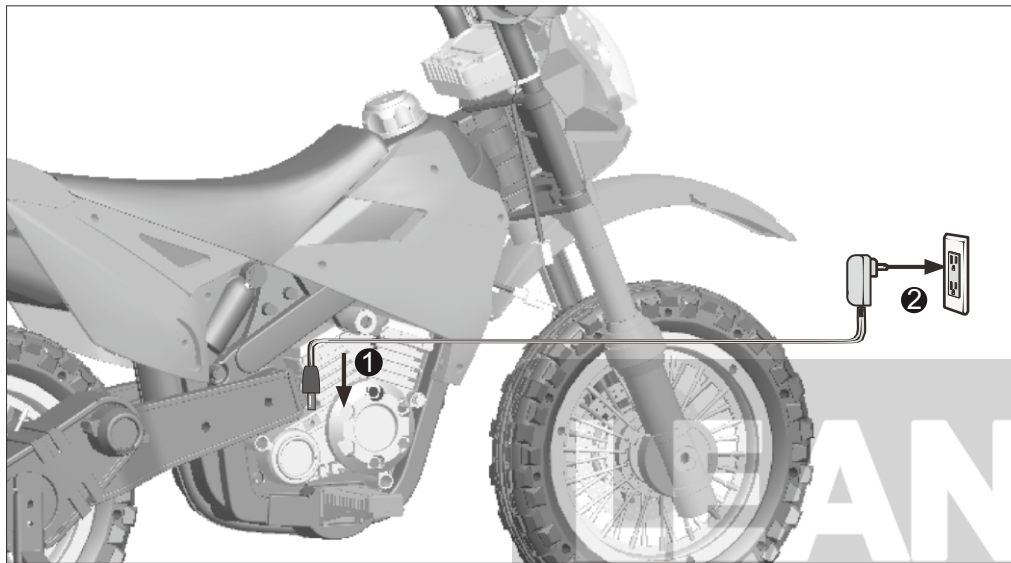


WWW.LEANTOYS.PL

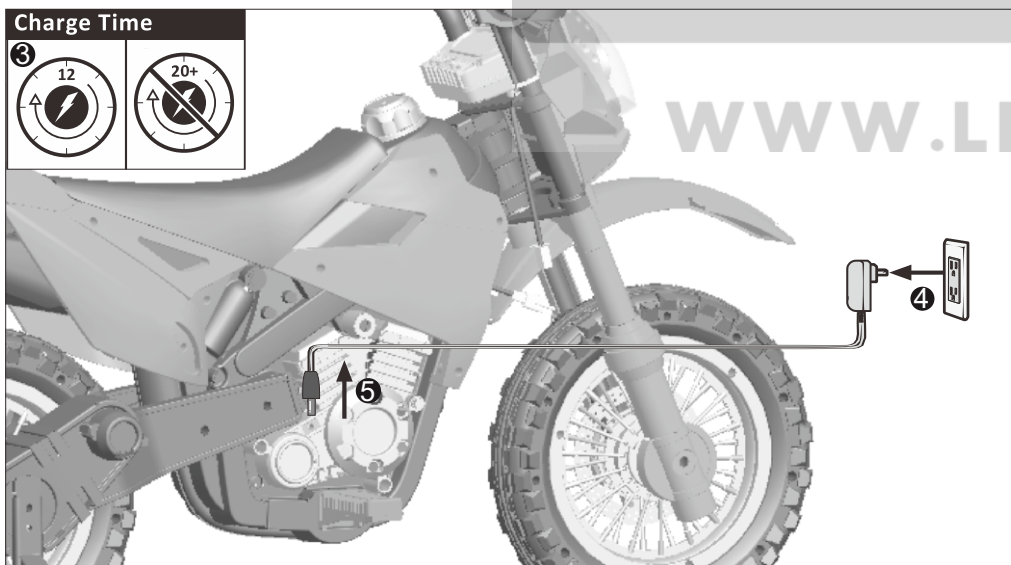
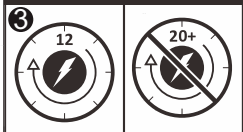
### 3.Charging instructions.

## ⚠ WARNING!

Please plug wall charger directly into a wall outlet. Do not use an extension cord.



#### Charge Time



When battery power is low, please charge it immediately. The charging port is on the lower right of the seat. (Note: toys can not be operated in the charging state. Toys should be charged under adult supervision) ..

## Troubleshooting

Fault type	Reason analysis	Elimination methods
The car did not move	<ol style="list-style-type: none"> <li>1. Low battery voltage</li> <li>2. Electric protection</li> <li>3. Switch is not reaching the correct position</li> <li>4. The Battery connector fell off or loosened</li> <li>5. The battery was broken</li> <li>6. The appliance was broken</li> <li>7. The motor was broken</li> </ol>	<ol style="list-style-type: none"> <li>1.Recharge the battery</li> <li>2.Stop using for a few minutes</li> <li>3.Use it according to the directions</li> <li>4.Re-plug</li> <li>5.Go to the maintenance point</li> <li>6.Go to the maintenance point</li> <li>7.Go to the maintenance point</li> </ol>
The battery cannot be recharged	<ol style="list-style-type: none"> <li>1. The Battery connector fell off or loosened</li> <li>2. The charger not connected to the socket</li> <li>3.The charger was broken</li> </ol>	Reconnect Plug the charger into the socket Replace the charger
Distance per charge is too short	<ol style="list-style-type: none"> <li>1. The battery does not have a full charge</li> <li>2. The battery is too old</li> </ol>	Recharge the battery Replace the battery
The batteries get warm and make a slight noise during charge	<ol style="list-style-type: none"> <li>1. Normal chemical reaction</li> </ol>	Normal
Slow speed	<ol style="list-style-type: none"> <li>1. The battery is too old</li> <li>2. The batteries were wearing out</li> <li>3.overload</li> <li>4.The road is not flat</li> </ol>	Use a new battery Recharge the battery lighten the load to less than 20kg Drive on a neat pavement
Big noise from the gear box	<ol style="list-style-type: none"> <li>1.The gear was broken</li> </ol>	Go to the maintenance point
Shake when the car is driving	<ol style="list-style-type: none"> <li>1. Poor wire contact of the motor</li> <li>2. Dead point on the motor</li> </ol>	To reconnect Go to the maintenance point
The car is silent	<ol style="list-style-type: none"> <li>1.The steering wheel connector is not inserted</li> </ol>	Connect it follow the instruction
The car cannot stop	<ol style="list-style-type: none"> <li>1. The motor was broken</li> </ol>	Go to the maintenance point