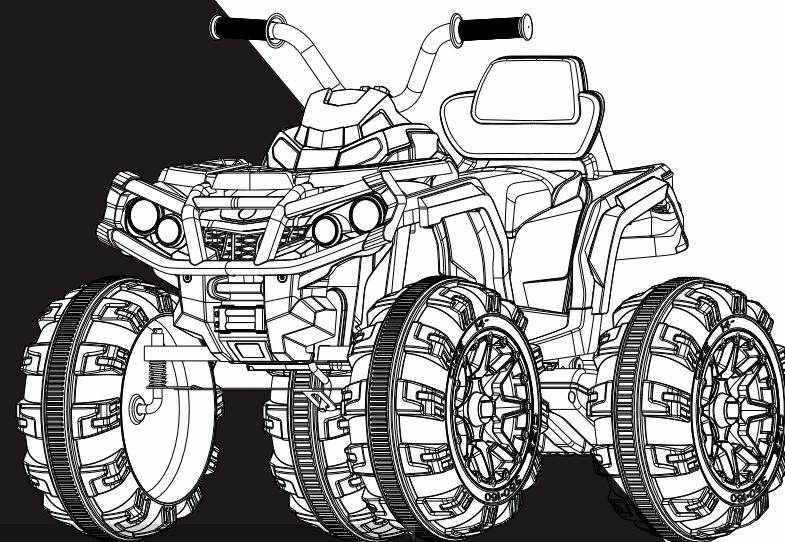


INSTALLATION AND OPERATING INSTRUCTIONS

Children's electric cars

⚠ WARNING:

Assembly by an adult.
This toy is unsuitable for children under
3 years due to its maximum speed.



Executive standard:
En71 and En62115
ASTM F963-17

LEAN CARS

WWW.LEAN TOYS.PL

Photos are for reference ONLY.

INSTALLATION INSTRUCTION

The illustrations in this instruction are used for easier understanding of the operation method of the product and the product structure. Please note there may be differences between the pictures and the physical item.

In order to improve the quality, we may change part of the structure and appearance of the product without an advance notice.

⚠ Please read the instructions carefully before use, it will tell you the right operation method and installation steps. Incorrect operation may damage the product, or even hurt your child. Please keep this instruction ready and easy to find.

1 Safety

⚠ WARNING!

The owner's manual contains assembly, use and maintenance instructions. The vehicle must be assembled by an adult who has read and understands the instructions in this manual. Keep the pack-aging away from children and dispose of all packaging before use.

Note: For best performance use on flat, hard surfaces.

The following safety hazards may result in serious injury or death to the user of the vehicle:

- This product contains small parts that are for adult assembly only. Keep small children away when assembling. Remove and dispose of all protective material and poly bags before assembly. Be sure to remove all packaging materials and parts from underneath the vehicle body.
- Battery posts, terminals and related accessories contain lead and lead compounds (acids) chemicals known to the state of California to cause cancer, reproductive harm, and are toxic and corrosive. Never open the battery.
- Body parts such as hands, legs, hair and clothing can get caught in moving parts. Never place a body part near a moving part or wear loose clothing while using the vehicle. Always wear shoes when using the vehicle.
- This toy does not have brakes or any braking capability. Do not leave a child unattended while using this toy or allow use of this toy in any location that requires braking capability, as this could result in a roll away or loss of control, which may cause serious injury or death.
- Using the vehicle near streets, motor vehicles, drop-offs such as: steps,

water (swimming pools) or other bodies of water, sloped surfaces, hills, wet areas, flammable vapors, in alleys, at night or in the dark could result in an unexpected accident. Always use the vehicle in a safe, secure environment with continuous adult supervision.

- Using the vehicle in unsafe conditions such as snow, rain, loose dirt, mud, sand or fine gravel may result in unexpected action such as tip over and skidding, and damage to the electrical system and battery.
- Using the vehicle in an unsafe manner. Examples include but are not limited to:
 - a. Pulling the vehicle with another vehicle or similar device
 - b. Allowing more than one rider
 - c. Pushing the user from the back
 - d. Traveling at an unsafe speed

Always use common sense and safe practices when using the vehicle

BATTERY WARNINGS

⚠ WARNING!

The following safety hazards may result in serious injury or death to the user of the vehicle:



- Use of a battery or charger other than the supplied 12V rechargeable battery and charger may cause a fire or explosion. Only use the supplied 12V rechargeable battery and charger with the vehicle.

- Using the 12V rechargeable battery and charger for any other product may result in overheating, fire or explosion. Never use the 12V rechargeable battery and charger with another product.

- Explosive gases are created during charging. Charge the battery in a well ventilated area. Do not charge the battery near heat or flammable materials.

- Contact between the positive and negative terminals may result in fire or explosion. Avoid direct contact between the terminals. Picking up the battery by the wires or charger can cause damage to the battery and may result in a fire. Always pick up the battery by it's case or handles.



- Liquids on the battery may cause fire or electric shock. Always keep all liquids away from the battery and keep the battery dry.



- Contact or exposure to battery leakage (lead acid) may cause serious injury. If contact or exposure occurs immediately call your physician. If the chemical is on the skin or in the eyes, flush with cool water for 15 minutes. If the chemical was swallowed,

immediately give the person water or milk. Do not give water or milk if the patient is vomiting or has a decreased level of alertness. Do not induce vomiting.

- Battery posts, terminals and related accessories contain lead and lead compounds (acid), chemicals known to the State of California to cause cancer, reproductive harm and are toxic and corrosive. Never open the battery.



- Tampering or modifying the electric circuit system may cause a shock, fire or explosion and permanently damage the system. Exposed wiring, circuitry in the charger may cause electric shock. Always keep the charger housing closed.

USER REQUIREMENTS AND WARNINGS

Age	37-96 months
Max Weight	(30 kgs)

Before using the vehicle the child should understand the vehicle controls and safety issues. They must also demonstrate the capability to handle the vehicle and operate its controls.

It is the responsibility of the adult to educate the child and supervise the vehicles use. Read the following safety warnings to any child using the vehicle before riding.

⚠ WARNING!

- Never leave child unattended. Always supervise the child.
- Always sit in the seat when using the vehicle.
- Keep your hands, hair and clothes away from moving parts.
- Always wear shoes when using the vehicle.
- Only one rider is allowed on the vehicle at a time
- Children under 3 years of age cannot use the vehicle.
- Only drive on level ground.
- Do not go near swimming pools or other bodies of water, drop-offs or up and down steep inclines.
- Do not drive the vehicle into loose dirt, mud, sand or fine gravel.
- Do not drive the vehicle on streets or near cars.
- Not to be used in traffic.

CARE WARNINGS

⚠ WARNING!

- Park the vehicle indoors or cover it with a tarp to protect it from wet weather.
- Do not leave the vehicle in the sun for long periods of time or fading may occur. Store in shade or cover with tarp.
- Do not wash the vehicle with a hose.
- Do not wash the vehicle with soap and water.

RE-CHARGE INTERVAL AND TIME Important!

- Damage to the battery may occur if it is allowed to drain completely. Do not allow the battery to drain completely.
- Check the battery and charger (supply cord, connector) for wear and damage before charging. Do not charge the battery if damage has occurred.
- On average you will need to charge the battery between 8 and 12 hours. Do not charge the battery for more than 20 hours. Failure to charge the battery as directed could cause permanent damage to the battery and void the warranty.
- Only an adult who has read and understands the safety warnings should handle, charge and recharge the battery.

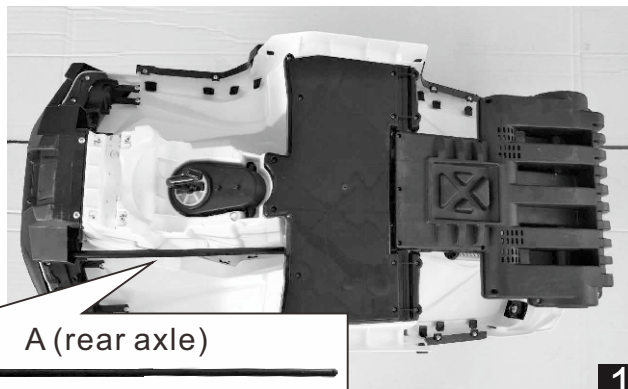
Specification

Name	specification
Battery	Double drive (12V7AH/12V10AH)
Motor	Double drive 12V 12V Double drive motor 12V Steering motor 12V
Suitable age	37-96 months
Maxweight	30KG
Body size	1030*680*730MM
Speed	3-6KM/h
Hours of use	charging8-12hours, using1 to 2 hours
Charger	Input: 110V~240V Output:DC 12V 1000MA
Mainmaterial	PP(polypropylene) and iron

*The above parameters contain optional features, specific parameters please refer to our samples.











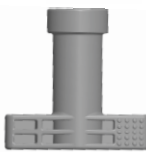

Step 1: Open the packaging box, take out all components. Components include Instruction, front wheels, rear wheels, charger, handlebar, wheel covers, instrument board, M8 spanner, M5 spanner, seat, tapping screws, and rear axle which is fixed on the car body as figure1 (please take it down for later installation).

Step 2: Find the Instruction, it will tell you the right operation method and installation program.



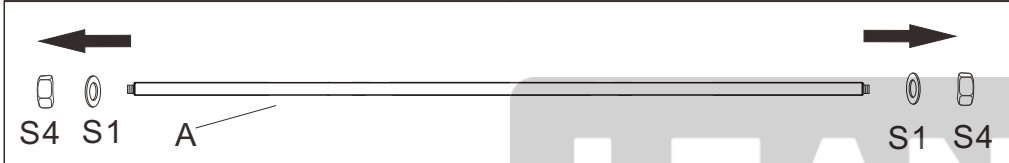
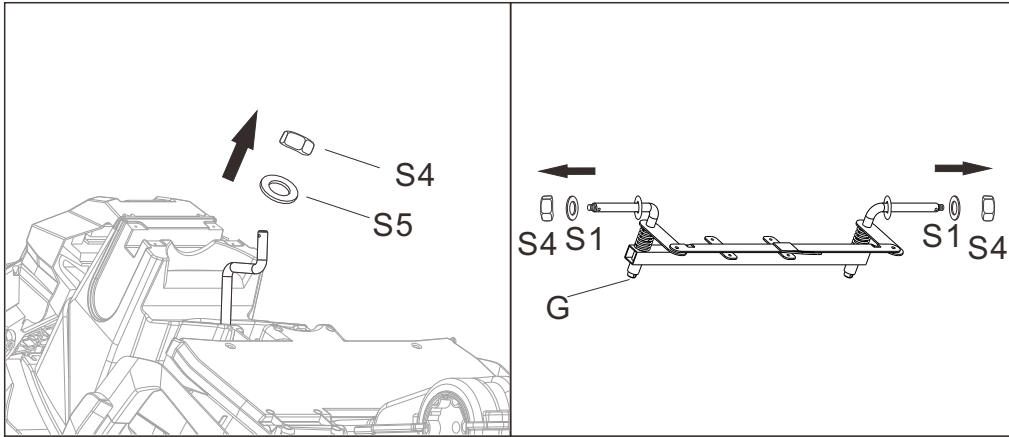
A (rear axle)

Parts List

NO.	QTY	PICTURE	NO.	QTY	PICTURE
①	1	 A(Rear axle)	②	2	 B(Front wheel)
③	2	 C(Rear wheel)	④	4	 D(Wheel cover)
⑤	1	 E(handlebar)	⑥	1	 F(Lazy back)
⑦	1	 G(front axle)	⑧	1 (optional)	 H(Remote control)
⑨	1	 I(Charger)	⑩	1	 J(Instruction)
⑪	1 (optional)	 K(M8 spanner)	⑫	4	 S3(big flat head tapping screws 4*12mm)

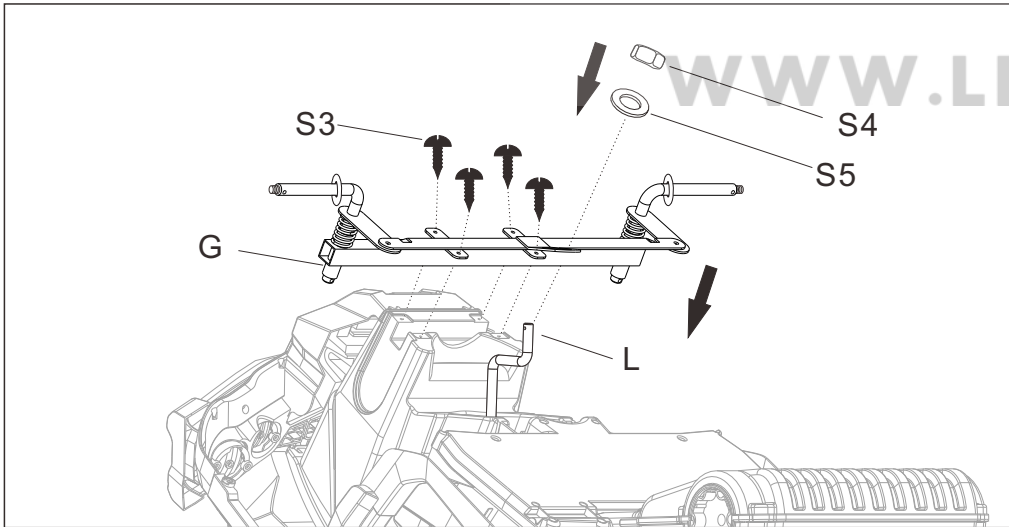
*Photos are for reference ONLY.

Installation Steps

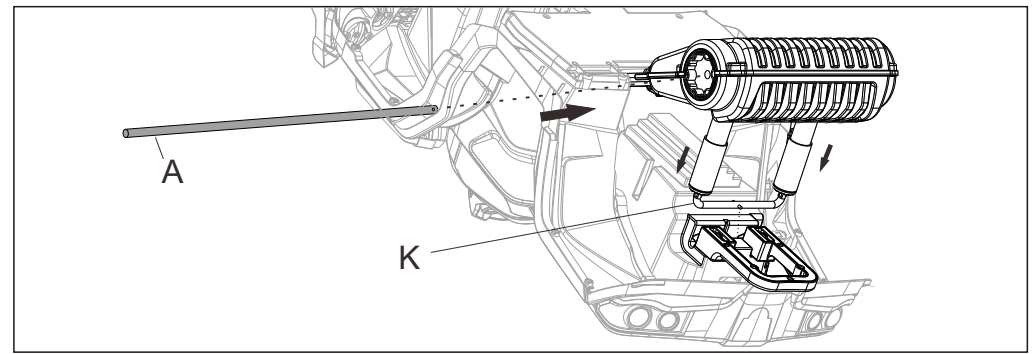


step1:Install the front axle

A: Use K(M8 spanner) to loosen S4(M8 nut) , one on L(steering yoke), two on G(front axle) ,and two on A(rear axle), then take off S5 (M8*16 gasket) and S1 (M8*22 gasket).(Note: Front axle need to retain two gaskets, as shown in figure)

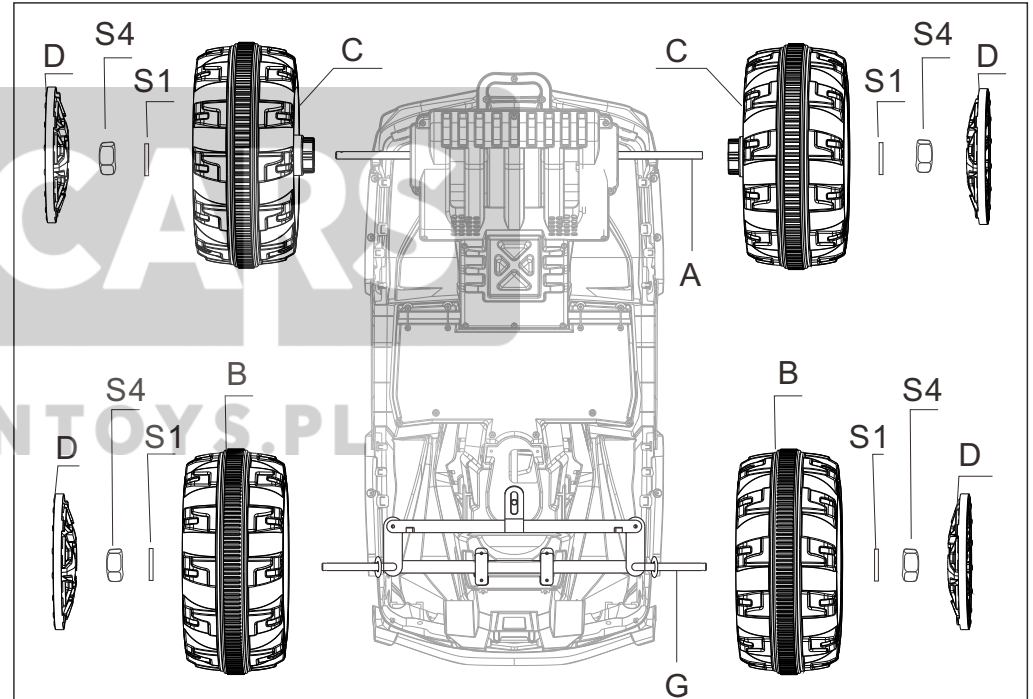


7 B:Find the corresponding position on the car body as shown, use 4 S3(big flat head tapping screws 4*12mm) to fix the G(front axle) into this position. (Note: the L(steering yoke) need to be pointed at the Steering hole). Put the S5(M8*16 gasket)on the L(Steering yoke) first, then fix it by S4(M8 nut).



step2:Install the rear axle

First press and firm the K(rear suspension pivot) into the corresponding position as shown. Then press the A(rear axle) through the hole as shown in figure (Keep the same length on both sides).

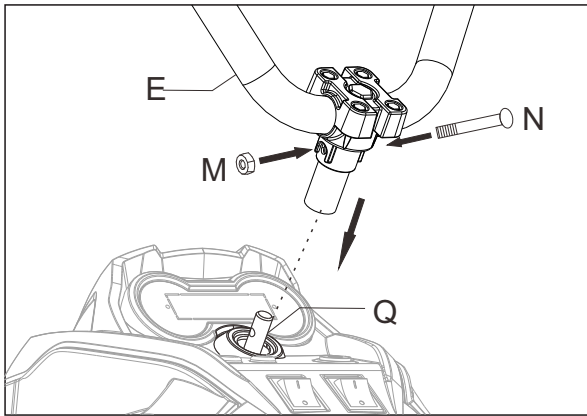


step3:Install the front and rear wheel

A. Install the front wheel: Install the B(front wheel) into the G(front axle), two S1(M8*22 gasket) need to be placed out of the B(front wheels) and securely fix them with S4(M8 nut).

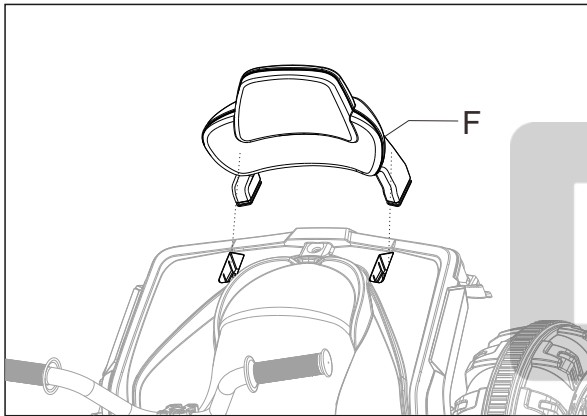
B. Install the rear wheel: Install the C(rear wheel) into the both sides of the A(rear axle). (Note: the convex side of the C(rear wheel) is inside) then put two S1(M8*22 gasket) out of the C(rear wheels) securely fix them with S4(M8 nut).

C. Press and fix 4 D(Wheel cover) onto the corresponding position on wheels.



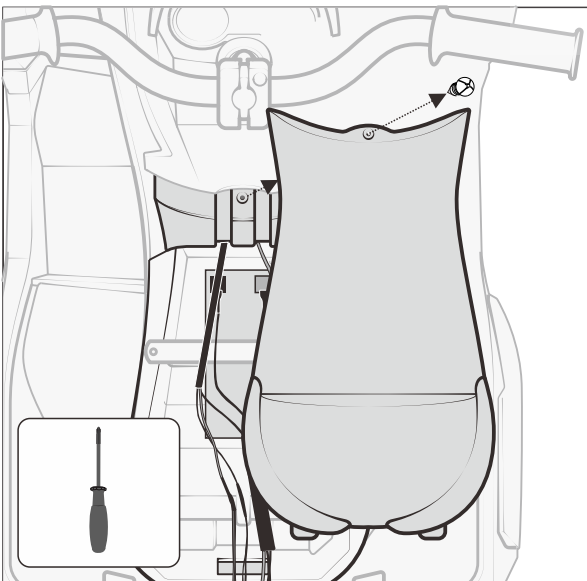
step4:Install handlebar

Press E(handlebar) into the Q(Steering yoke), use N(screw) and M(nut) to fix it. (Note: place M(nut) on the hexagonal hole side, insert N(screw) to the round hole side)



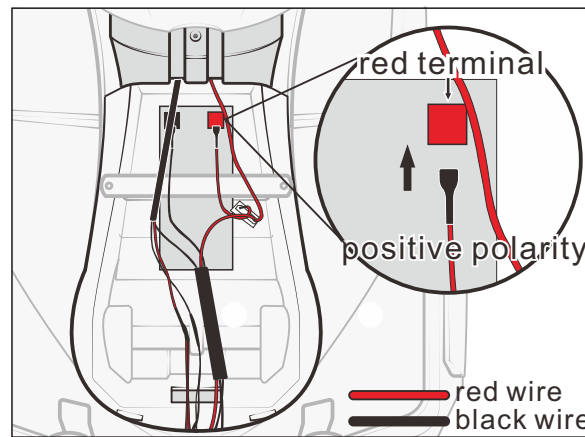
step5:Install lazyback

Press and fix the F(lazyback) on the corresponding position on the car body.



step6:Take off the seat

use tool to remove screw from seat, and take off the seat. Take out the charger, instruction book and remote control (optional) inside.



step7:Power connection

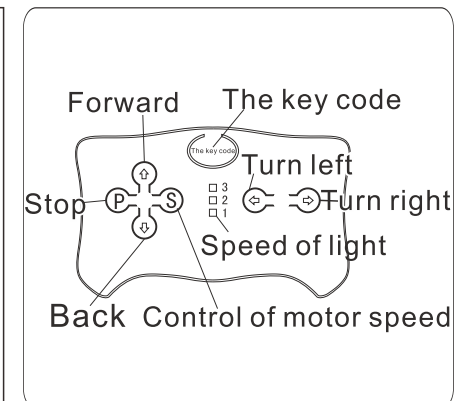
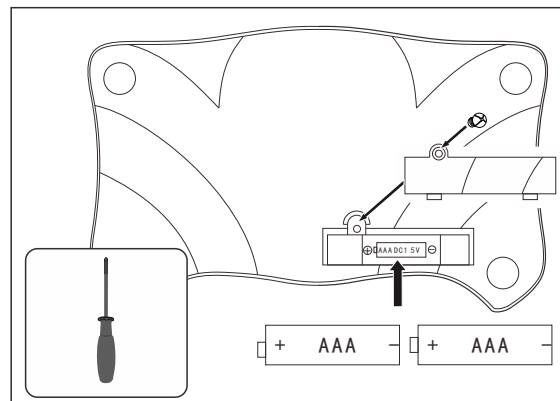
1.Find the positive polarity(the red port), then Remove the plastic cover from the red terminal (attention: put it at the safe place where far from the children to prevent the risk of asphyxiation), Find the positive electrode (the red port showed by arrow in figure), connect power port to the red terminal.
2.Then install the seat.

Direction for use

1. The installation and replacement of the batteries in the remote control: (optional)

- 1.All batteries should be inserted in the correct polarity.
- 2.Non-rechargeable battery cannot be recharged
- 3.Before charging, the rechargeable battery must be taken out from the toys.
- 4.Take out and properly deal with the dead battery. To avoid injury, please keep kids away from the battery.
- 5.The direct contact between the positive and negative terminals may result in fire or explosion. Avoid direct connect between the terminals.
- 6.Do not mix old and new batteries.DO not mix alkaline, standard(carbon-zinc),or rechargeable(nickel-cadmium) batteries.
- 7.Only an adult who has read and understood the safety warnings can recharge the battery.

Use a screwdriver to remove the battery cover of the remote control, insert two AAA 1.5V dry batteries in correct polarity. Close the battery cover and fix it with the screw. (Battery replacement also according to the above steps)



2. Matching the frequency of car and remote control

See more details of the remote control please refer to the outer packing box of the remote control.

3.Operation guide for Manual control (forward, backward and speed control):

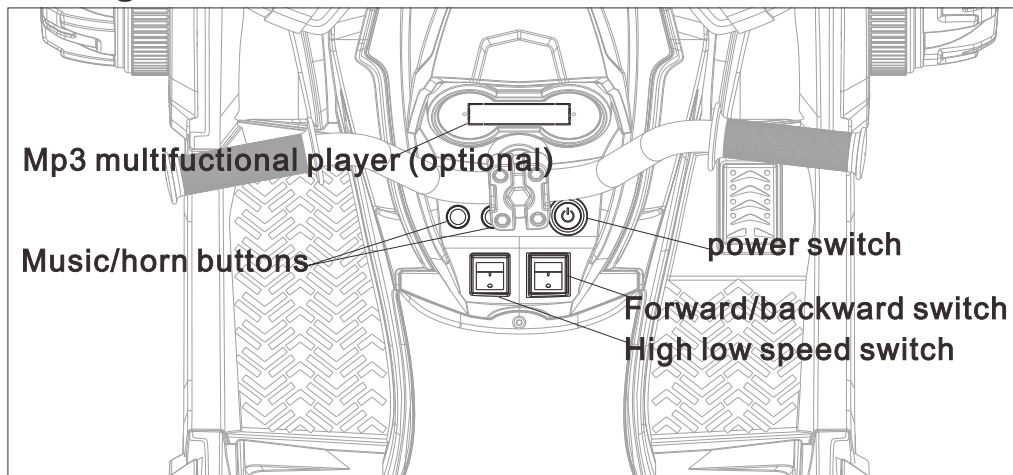
After the driver is seated, press the power switch, the car will send out a starting sound (2-5seconds). Put the Forward/Stop/Backward switch into the position of "forward" (Press forward), the hi/lo speed switch into the position of "low speed", step on the foot switch the car will move forward slowly, loosen the pedal the car will stop. Put the hi/lo speed switch into the position of "high speed", step on the foot switch the car will move forward fast, loosen the pedal the car will stop. Put the Forward/Stop/Backward switch into the position of "Backward", step on the foot switch the car will move backward fast, loosen the pedal the car will stop. Put the hi/lo speed switch into the position of "low speed", step on the foot switch the car will move backward slowly, loosen the pedal the car will stop. Put the Forward/Stop/Backward switch into the position of "stop", the car can not move forward and backward.

4.Operation guide for remote control (forward, backward , speed control and lighting switch):

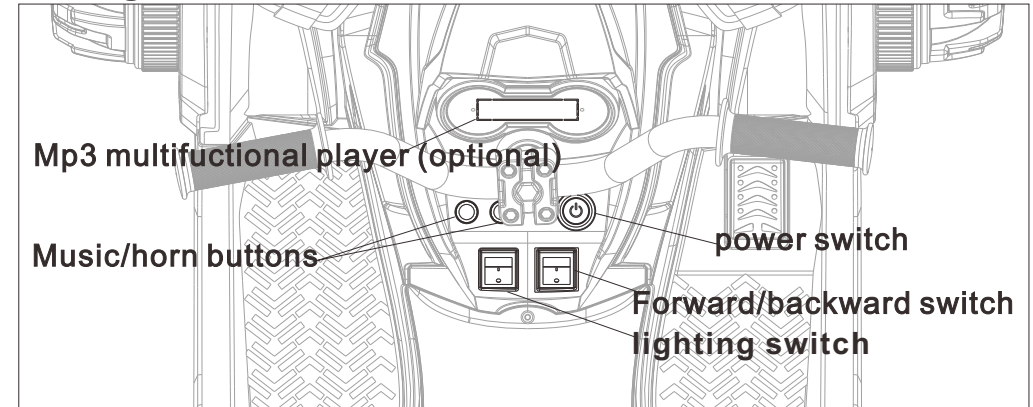
Remote control prior to manual control (the car will follow the instructions from remote control when the remote control and manual control are both in operation). Press forward key, car will move forward. Press backward key, car will move backward. Press "P" key, the car will stop (at this time, manual control function is invalid). Press "P" key again to lift the state of emergency. The "S" key is speed control key, one light on represents a low speed, two lights on represents an intermediate speed, three lights on represents a high speed.

The switch of 1/0 is the light switch, turn the switch to "1" the lights on, turn the switch to "0" the lights off.

Configuration A



Configuration B



5.Remote control in change direction:

Press Steer Left, the car will turn left; press steer right, the car will turn right.

6.Instruction for MP3 multifunction player

a)The usage of button:(|◀◀/V-)button:short press to play the last music,long press to decrease volume.(▶▶|/V+) button:short press to play the next music,long press to increase volume.(▶| |)button:pause button,in FM mode press this button will automatically search channel.(MODE)button:mode switch button,can switch among USB,TF ,FM and the conventional music mode.

b)Instruction for USB port:Plug USB into the USB port,the car will read and play the music in USB.

c)Instruction for TF card slot:Plug TF card into the TF card slot,the car will read and play the music in TF card.

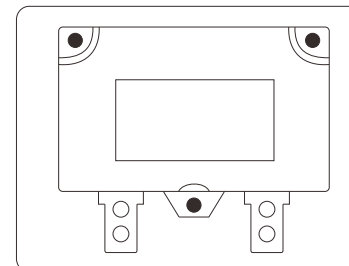
d)Instruction for FM:Press MODE button switch mode to FM,the light of FM will on.

Then press (▶| |) button,the car will automatically search channel and will play the first channel after searching.Press (|◀◀/V-) button to play the last channel,press (▶▶|/V+) to play the next channel.(the music switch button has the same function)

7.The usage of the music switch and the horn button

Press the music switch to play different music. Press the horn button to play trumpet sound.

8.Instructions of the recoverable fuse

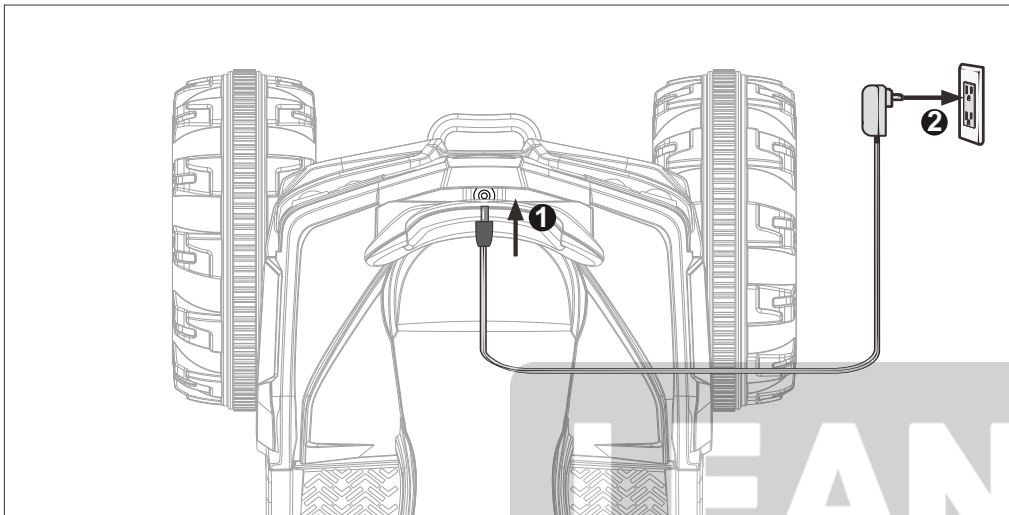


Resettable fuse: when the current exceeds a certain rating, the recoverable fuse will automatically cut off the power supply for 5-10seconds, then the current will be resupplied.

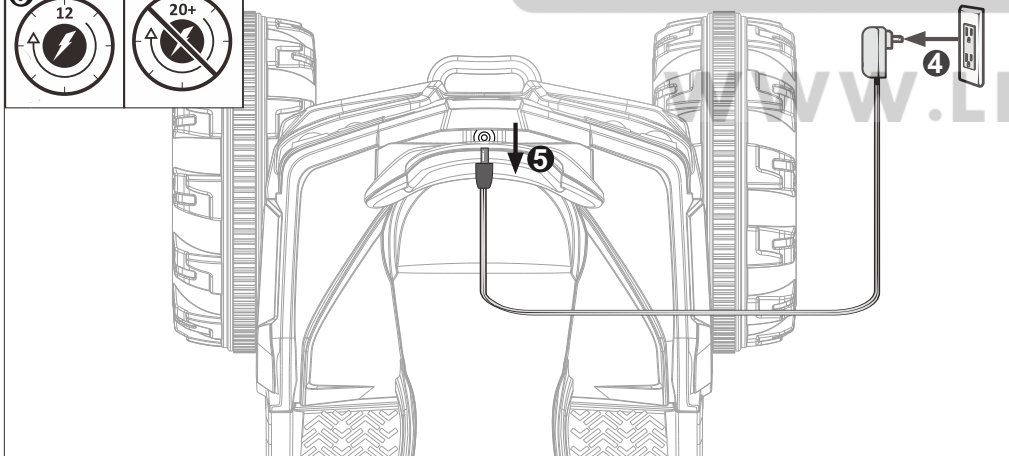
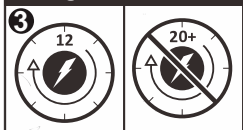
9. Charging instructions.

⚠ WARNING!

Please plug wall charger directly into a wall outlet. Do not use an extension cord.



Charge Time



When battery power is low, please charge it immediately. The charging port is under the seat. (Note: toys can not be operated in the charging state. Toys should be recharged by adult).

Troubleshooting

Fault type	Reason analysis	Trouble elimination methods
The motor does not rotate	<ol style="list-style-type: none"> 1. Is the fuse overloaded? 2. The pedal switch connector is good? 3. The welding of motor electric terminal is good? 4. The connector of the motor wire is good? 5. Remove the motor's plug-in, change to connect battery directly, then check if it rotate or not. 	<ol style="list-style-type: none"> 1. Yes, the fuse cuts off the power automatically by 5-20 seconds, then restart; No, check next reason analysis 2. No, repair foot switch ; Yes, check next reason analysis 3. No, weld the terminal wire ; Yes, check next reason analysis 4. No, plug in the plug-in ; Yes, check next reason analysis 5. Still no rotation, change the motor; If rotates, it means driving circuit board needs professional maintenance, please contact with agent
Only move frontwards, or only move backwards	<ol style="list-style-type: none"> 1. Check the frontward/backward switch, check the connector is good or not by multimeter 2. Check the drive line cycle of frontward/bckwards is workable or not? 	<ol style="list-style-type: none"> 1. No, change the frontward /backward switch; 2. No, connect the line; Yes, it means driving circuit board needs professional maintenance, please contact with agent
slow speed	<ol style="list-style-type: none"> 1. Check the battery voltage is ok or not. 2. Connect the motor (including the driving gearbox) to the battery, then check the speed can be accelerated or not. 	<ol style="list-style-type: none"> 1. No, charger the battery ; Yes it's ok, check next reason analysis 2. No, check next reason analysis ; Yes, it means driving circuit board needs professional maintenance, please contact with agent
The battery can not be recharged	<ol style="list-style-type: none"> 1. The battery connector fall off or loosened. 2. The charger has a slight heat when it is charged 	<ol style="list-style-type: none"> 1. Yes, reconnect it, No, check next reason analysis 2. No, the charger is broken, replace it
When car is moving, the sound and light are useless	<ol style="list-style-type: none"> 1. check the sound/light switch is ok or not. 2. check the electric wire connection (from battery to headstock) is good or not? 	<ol style="list-style-type: none"> 1. No, replace the switch; Yes, check next reason analysis 2. No, reconnect; Yes, check next reason analysis
When wheel running, the car does not move	<ol style="list-style-type: none"> 1. check the driving wheel can be rotated or not? 2. Check the gearbox, if any gear is damaged? 	<ol style="list-style-type: none"> 1. Yes, lay the wheel to the ground; No, checks the next reason analysis 2. Yes, replace the gear box; No, checks the next reason analysis
Car is unstable, moving on and off	<ol style="list-style-type: none"> 1. Does the driver exceed the maximum load weight? 2. Does the driver ride on the rugged road? 3. Check the wheel can rotate freely? 	<ol style="list-style-type: none"> 1. Yes, should follow the instruction, the car unsuitable for exceed maxweight; No, check the next reason analysis 2. Yes, should follow the instruction, ride on the flat cement road ; No, check the next reason analysis No, Troubleshooting wheel and axle