

ELECTRIC BUGGIES

Qualification certificate	Production date:
	Checker:

- The diagrams in this manual are used to illustrate the operating method and the structure of this product, and there may be some difference between the practicality and the diagrams, and the practicality shall prevail.
- In order to improve the quality of the product, we may change some parts of the structure of the product or its appearance without notice in advance, which need your understanding.
- This manual contains important information and it must be well kept.



USE AND INSTALL INSTRUCTIONS

Applicable age range: 36-95 months
Maximum weight of 30 kg
Assembly and each charge must be completed by the adult
Please read the instructions carefully before using
The instructions contain important information. Please keep them for future reference
It is recommended to charge 4-6 hours before use
Use under adult supervision, cannot drive on the road

ABOUT THE PRODUCT

Thank you for choosing baby tiger, electric buggies!

Baby tiger is always striving for excellence, constantly designing children's electric toys for comfort and safety, and accompanying your children to a lively and happy childhood.

Before using a very important thing is to carefully read the product manual, it can tell you detailed installation procedures and the correct method of use, it can also guide you to avoid improper operation and damage to the product or rider, particularly important is that it can tell you a lot of security considerations, please put these content, memorizing and guide your child to use.

Please keep the instructions properly and put them in easy access.

PARAMETER SPECIFICATION

Applicable age	36-95 months	Load limit	30KGS
Storage battery	12v 7AH dual drive 12 v10AH all-wheel-drive	External dimension	125x82x76cm
Charging time	8-12 hours	speed	5.5 KM/H
charger	Input AC110/220V Output DC12V1000MA	The power supply mode	plug-in

NEED TO KNOW BEFORE INSTALLATION



warning

Please timely pack the bag to avoid the child play and cause suffocation!



Only use this product on flat ground

- Small parts are not suitable for children under 36 months.
- Products may contain potentially dangerous sharp edges or sharp tips before assembly, so the products must be assembled by adults.
- Tools for installation: screwdriver (self - provided), wrench (placed in part package).
- Small parts have a choking danger, no children touch play!
- Please check the quantity of all the parts before installation, the packaging plastic bags of the products, please properly handle, strictly prohibit the children to play, have suffocate danger!
- Please check whether the wire, plug, shell and other parts of the charger are damaged before charging. If there is any damage, please stop using it until it is in good condition again!

troubleshooting

Trouble type	How to check it	How to remove it
The motor doesn't work.	1. Is it caused by the overload protector?	If yes, the vehicle is overloaded or operated improperly and the overload protector has cut off the power automatically.
	2. Is the foot switch well connected?	If no, repair the foot switch; If yes, see the next item.
	3. Are the wires welded well on the ends of the motor?	If no, weld the ends well; If yes, see the next item.
	4. Are the wire connectors of the motor well connected?	If no, connect the connectors well; If yes, see the next item.
The vehicle cannot move forward or backward.	1. Check the forward/backward switch with a multi meter and see if it is normal.	If no, change the forward/backward switch with a new one; If yes, see the next item.
	2. Are the driving circuitry and the forward/backward switch well connected?	If no, connect the wires well; If yes, there is something wrong with the driving circuitry board, thus, contact the supplier.
The vehicle moves slowly.	1. Is the voltage of the accumulator over 6V/12V?	If no, charge the accumulator; If yes, see the next item.
	2. Will the vehicle move faster when the motor (gear case) is connected directly with the accumulator?	If yes, there is something wrong with the driving circuitry board, thus, contact the supplier; If no, see the next item.
The accumulator cannot be charged.	1. Are the connectors of the accumulator loosened or dropped?	If yes, connect the connectors well; If no, see the next item.
	2. Does the charger become a little warmer while it is being charged?	If no, the charger is damaged; if yes, the accumulator is damaged.
The vehicle is normal except that there is no sound or light.	1. Is the sound and light switch in good condition?	If no, the switch is damaged; If yes, see the next item.
	2. Check the wires and connectors from the head to the accumulator and see if they are in good condition.	If no, well connect the connectors.
Wheels doesn't work	1. Can the driving wheel turn?	If yes, let the wheels touch the ground; If no, see the next item.
	2. Check and see if the gear wheels in the gearcase are damaged?	If yes, change the gear case with a new one.
The vehicle often stops while it is moving.	1. Is the vehicle overloaded?	If yes, nothing is wrong with the vehicle; If no, see the next item.
	2. Is the surface where the vehicle is running on even ?	If no, drive it on even surfaces; If yes, see the next item.
	3. Can the free wheels be turned freely?	If no, repair the wheels or the axles.

When customers don't have the conditions to apply the above mentioned trouble shooting methods, please contact our agent or supplier.

The fuse

This product is equipped with a self reset the fuse when overload or not at that time, use the reset the fuse will automatically cut off the power supply for 15 to 20 seconds, and then restart the connection, since the restoration of the fuse installation on the local here under the mat

In order to avoid the fuse cut off the power

This product cannot overload, the maximum load weight is 30KGS

Don't drag and drop anything behind this product

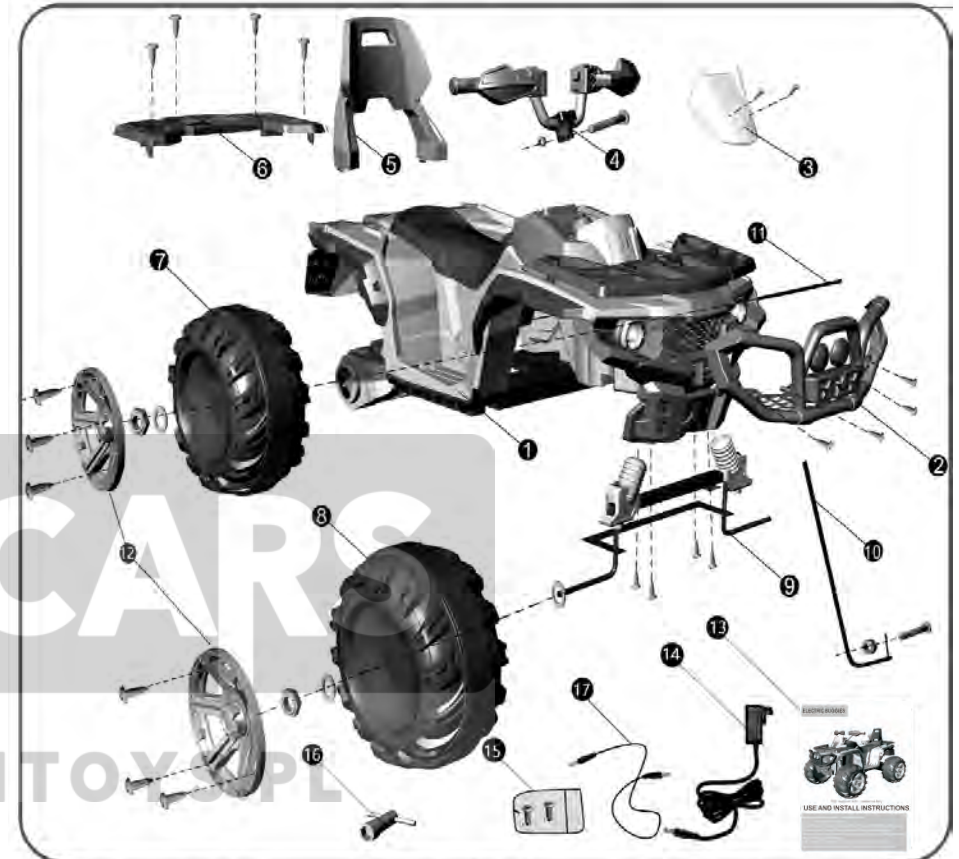
Do not allow any other liquid to be dipped into the circuit, battery, etc

Do not change the wiring system of this product without authorization

Maintenance and maintenance

- The former parent should check whether the main parts are intact, the battery, the charger, the wire, the plug, the shell and other parts are damaged. Whether the screw is loose; If there is any potential safety hazard, you should stop using it until it is damaged.
- Use a small amount of lubricating oil to lubricate the iron parts of the vehicle for a period of time to prevent wear and rust.
- The vehicle should be placed away from the source of fire and avoid long term lighting. In wet weather, the car should be kept indoors or covered with a tarp
- Models should stay away from hot objects such as stoves and heaters, and the plastic parts may melt. When charging, stay away from flammable items to prevent fire from happening
- Please charge after use, charging must be operated by adult. If you don't have to recharge your batteries for a long time, then charge them at least once a month to extend the battery life
- Wipe the vehicle with a dry soft cloth. Also can use non-waxy furniture to replace soft cloth to wipe plastic parts, to achieve surface finish effect. Do not use chemical solvents to wipe the plastic parts of your toys. Do not wash vehicles with soap and water. Do not drive in rain or snow. Water will damage the motor. Circuit systems and batteries for vehicles
- When the product is not used or placed, please cut off the power of the product, and all switches will be switched to the stop or off position
- Do not use fuses that do not conform to the specifications of this product
- Do not change the structure and line system of this product without authorization. The maintenance work must be conducted by professional or under the guidance of technical personnel

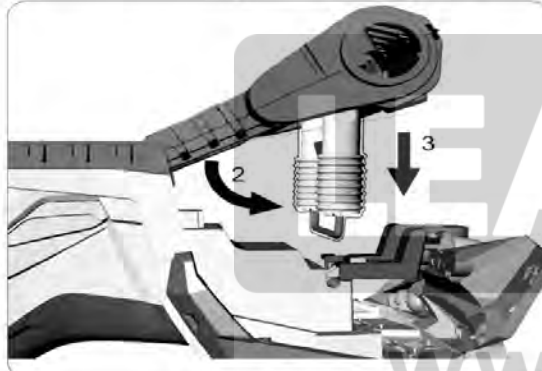
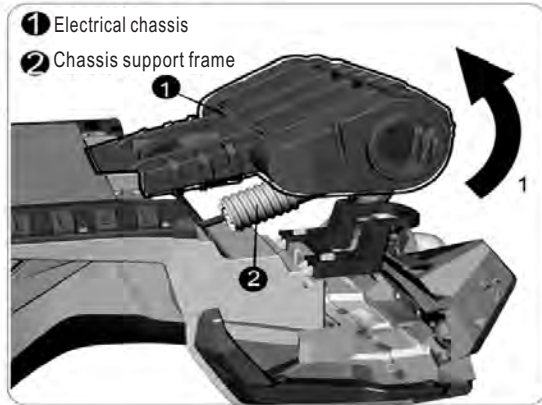
PARTS LIST AND BREAKDOWN DIAGRAM



Ordinal number	Part name	quantity	Ordinal number	Part name	quantity
1	Car body	1	10	Steering rod	1
2	Front bumper	1	11	Rear axle	1
3	The windshield	1	12	Wheel cover	4
4	handlebar	1	13	Instruction book	1
5	Back of a chair	1	14	charger	1
6	Cover bracket	1	15	Screw package	1
7	The rear wheel has clubs	2	16	Plastic wrench	2
8	The front wheel does not have clubs	2	17	MRP conductor	1
9	bogie	1	18		

INSTALLATION STEPS

Fixed box



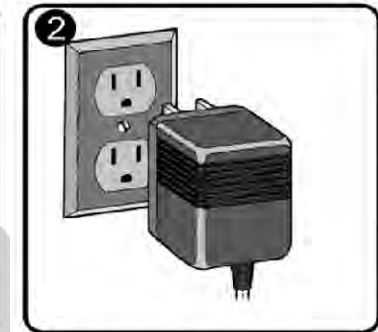
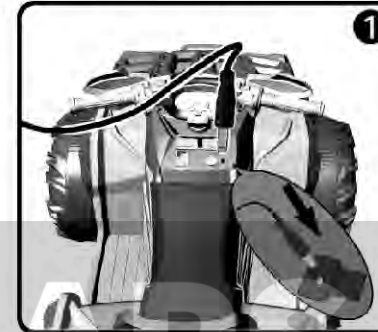
- The body is turned over, the first step is the electric box, the second step is to pull the support frame, the third step of the pressure support rack is stuck to the body card slot, the motor is fixed

3

Charging schematic

This product is equipped with charging protection function. When charging, all functions of the car cannot be used
Charging must be done by adults! The charger and battery can not be touched by children

The power switch must be turned off when charging
Charge 4-6 hours before using the first one, but not more than 10 hours
When the normal speed of the vehicle slows significantly, indicating that the battery is not enough, please timely recharge
Please charge 8-12 hours after each use, but no more than 20 hours



1. Insert the charger plug into the body charging hole, located at the faucet
2. Plug the charger into the power socket

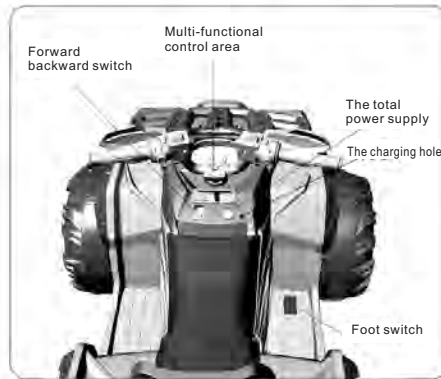


Warning!

- Prevent fire and shock
- Using only the chargers and power sources specified by the manufacturer, it is forbidden to use other brands of chargers and power sources, otherwise there may be fire and explosion
- Do not use the charger and battery in other products, otherwise overheating can lead to fire and explosion
- Do not change the line structure of the product without authorization, otherwise it may cause fire and explosion, and can cause permanent damage to the product
- Do not use a tool connection between the positive and negative poles of the battery, or there may be fire and explosion
- Always keep the battery dry. Do not expose it to fresh water
- When charged, the battery produces harmful gases and has a pungent smell. It is strictly prohibited to smoke in the vicinity of the rechargeable storage battery.
- No flame or spark is allowed to cause an explosion or other accidents
- The vehicle must be charged in a well-ventilated and dry area
- Do not open the battery and charger
- Do not reverse the bottle
- Please check the charger before charging, the battery and the plug are damaged. If there is any damage, you should stop using it until the repair is done
- It is normal for the battery to heat up during the charging process, but it should be checked and charged when the temperature is too high
- Whether the current is in or out of the battery
- A power supply must be fixed with a pressure plate. If the car is overturned, the battery may cause damage to the child
- If the product is stored or not used for a long time, it must be charged and charged once a month to ensure the life of the battery
- Chargers and batteries are not toys and children are not allowed to play

12

Operation schematic



Attention!

When changing gear, make sure that the vehicle has been completely stopped to avoid damaging gear boxes and motors

Power switch:

Turn on and off the vehicle power supply

Go forward

1 Move forward/back switch to advance position
2 gently step on the foot switch and the vehicle will move forward

back
1 Move forward backward switch to back position
2 gently step on the foot switch and the vehicle will move backwards

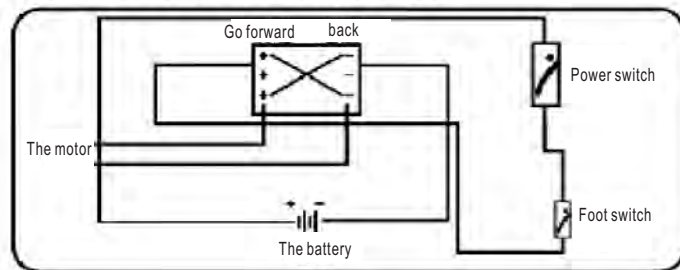
Go forward(Drive 2)

1 Move forward/back switch to advance position
2 Turn the right handle and the vehicle will move slowly forward

back(Drive 2)
1 Move forward backward switch to back position
2 Rotate the right handle and the vehicle will move slowly backwards

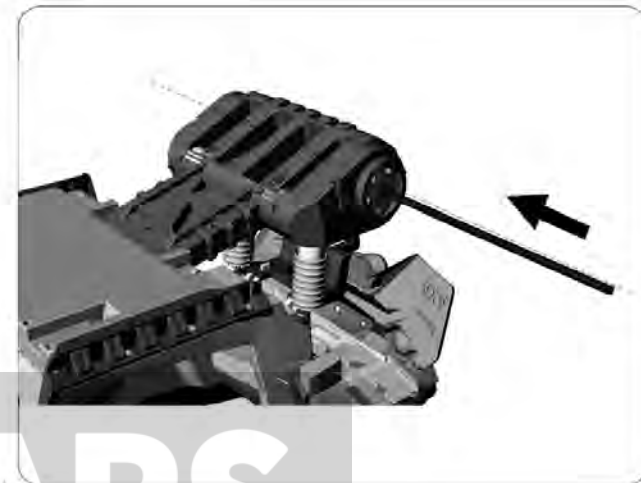
stop
Step on the pedal switch and the car will stop moving

music
Press the music button on the steering wheel to make music



INSTALLATION STEPS

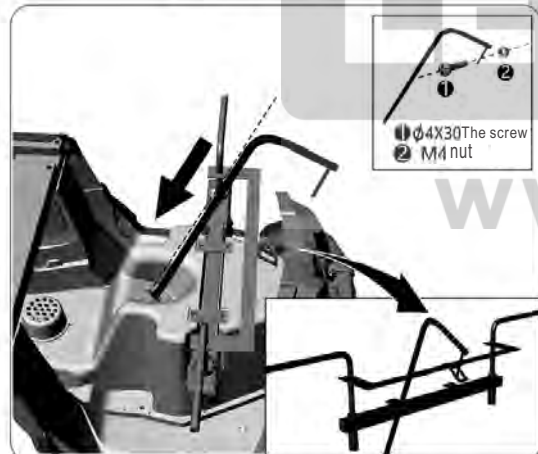
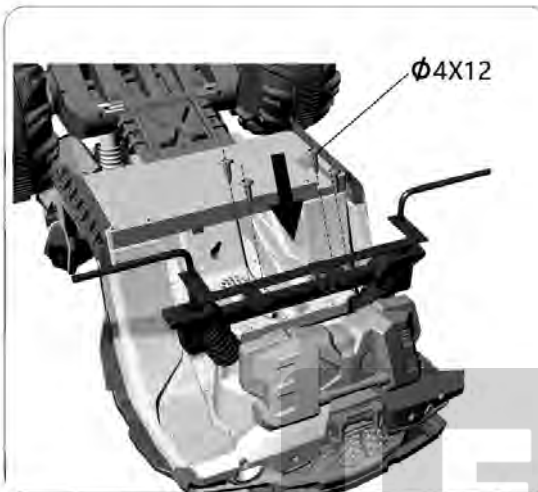
Install the rear wheel



- First step to the rear axle wear into the battery box, the second step is to choose the rear wheel (with the plum blossom) to check the wheel bearing out below to install the rear wheel to the rear axle of 10 gasket to wear to the rear wheel nut fixed installation cover and with three screws fixation, complete rear wheel installation.

INSTALLATION STEPS

Install the bogie and the steering rod



- When the first step of the bogie is installed, the front and rear positions of the bogie are divided into four screws to the body. The second step is to move the steering rod from the lower part of the car to the body, and to ensure the end of the steering rod, the hole in the direction of the bogie. At the end of the steering rod, put in the 4X30 screw and lock it with the M4 nut to complete the installation.

Need to know before use

warning!

To prevent accidents:

- When driving a vehicle, it must be supervised and supervised by an adult or parent, and the caregiver must not leave, please ensure that your child is in your field of vision.
- It is prohibited to drive vehicles in non-safe areas such as roads, vehicles and steps
- Shoes must be worn when driving a vehicle
- You should sit in your seat while driving
- Age range: 36 to 95 months, maximum load of 30 kg

Safety warning

Please tell your child and his playmates the following safety rules and make sure they understand!

- The vehicle must be under adult supervision
- Protective helmets should be worn when driving
- Shoes must be worn when driving
- When driving a vehicle, you must be seated
- Make sure your child is driving in a safe driving environment, such as home, garden or playground
- Note that the vehicle is only suitable for running on hard, flat surfaces, and to ensure safety, it is prohibited to travel in the following non-safe environments
 - A trench, A river, A lawn, A slope or A bumpy surface
 - B road or other vehicles driving, walking places
 - C could hit an obstacle that can cause harm
 - D other non-safe areas
- Avoid driving in the dark. Children do not deal with unexpected obstacles or accidents. Only in daylight or in a bright area
- Do not use this product when it is raining or snowing
- When changing gear, make sure that the vehicle has been stopped moving
- Please confirm that the user of this product meets the applicable age range of this product and shall not exceed the maximum capacity
- Do not change the structure and wiring system of the product without authorization
- Regularly check whether the wire plug of the vehicle is aged or missing
- To avoid accidents, make sure the vehicle is safe before driving
- Please do not permit any child to approach the driving vehicle. Do not allow the child to touch the wheel



Battery safety warning

Non-rechargeable batteries cannot be charged

Rechargeable batteries can only be charged under adult supervision

Rechargeable batteries should be removed from the toy before charging

Different types of batteries or old and new batteries do not mix

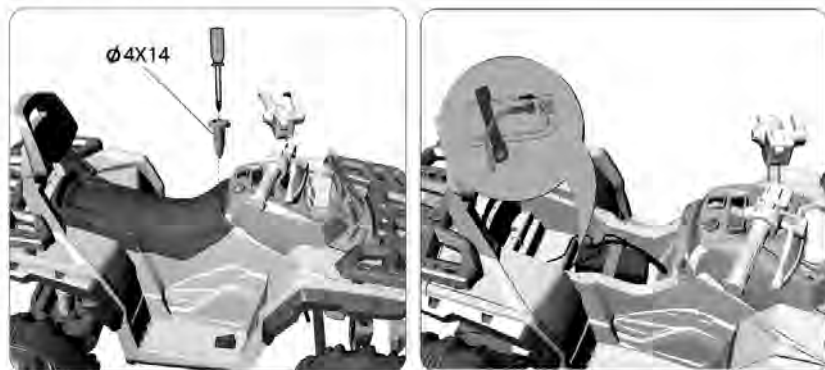
The battery should be placed in the correct polarity

The exhausted battery should be removed from the toy

The power terminal shall not short circuit

INSTALLATION STEPS

Install battery wire



- First, remove the seat cushion with a screwdriver and insert the red plug into the red end of the battery and cover the seat with screws

Note: before installing seat, docking good battery and motor connection plugin first, vehicle assembly, check leakage, check whether the product function is normal, please use the accessory charger to charge products

Need to know before use

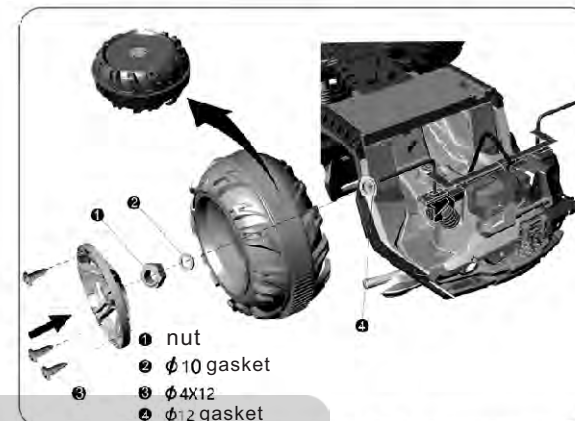
Before using, you must confirm that the following work has been completed: Step described in accordance with the instructions to complete the installation of the vehicle, the accumulator plug-in has been good, the power supply has been switched on, the location of the screws to ensure all need have lock, check whether the product function is normal.

Important!

Before the first use, the battery should be charged at least 4-6 hours, not more than 10 hours, and the charge can only be operated by the adult.

INSTALLATION STEPS

Install the front wheel



- Choose the front wheel Don't take the plum blossom See if the wheels on the surface of the upper and lower bearing fall off Wear a 12 gasket into the front axle installing the front wheels Add a gasket With a nut fixed installation hubcaps and 3 screws fixation, to complete the installation of the front wheel

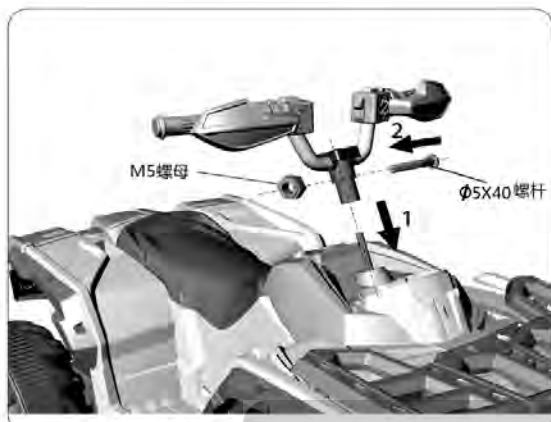
Install front bumper



- Fix the front bumper directly to the body with screws

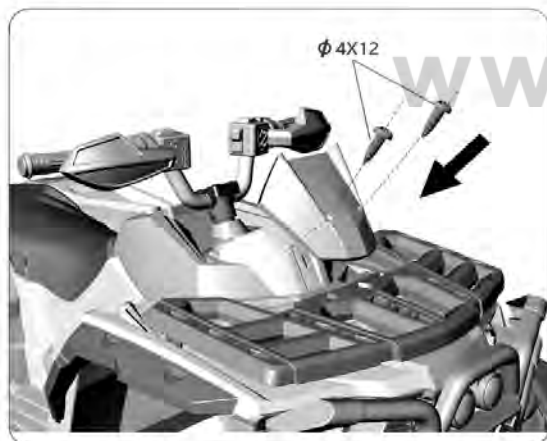
INSTALLATION STEPS

Install the handlebar



- When installing handlebars put on the handlebars of 5 x40 screw unloaded, the handlebar from steering pole upside down (note alignment of perforation location), with 5 x40 locking screw and nut M5 (pay attention to distinguish between left and right)

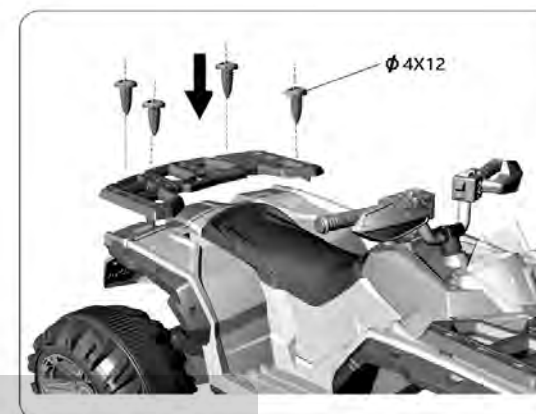
windscreen



- Put the windscreen in the front of the instrument, align the screw hole, and fix it with 2 screws

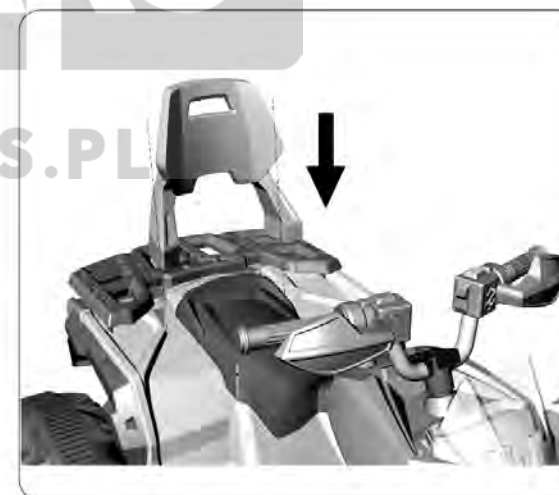
INSTALLATION STEPS

Mounting bracket



- Install the rear frame directly with 4 screws to the body

Install the seat back



- When installing seat back, insert directly into the reserved hole in the body.