

WARNING:

Do not mix alkaline standard(carbon-zinc), or rechargeable(nickel-cadmium) batteries.

- Toys can't connected to more than the recommended number of power.
- Non rechargeable battery can not charge.
- Rechargeable batteries can only be used in adult guardianship.
- Charge the battery before charging the battery should be removed from the toy.
- Battery should be placed in the correct polarity.
- The exhausted battery should be removed from the toy.
- Power supply terminals shall not be short circuit.
- The toy shall only be used with a transformer for toys.
- The transformed is not a toy.
- The model number or specification of a suitable transformer for use with the toy.
- The toy is disconnected from the transformed before cleaning

Remark:

When the above marking are on the packaging only, it shall also be stated that the packaging must be retained since it contain important information.

H. Product qualification certificate

Qualification certificate	Production date:
	Checker:

- The diagrams in this manual are used to illustrate the operating method and the structure of this product, and there may be some difference between the practicality and the diagrams, and the practicality shall prevail.
- In order to improve the quality of the product, we may change some parts of the structure of the product or its appearance without notice in advance, which need your understanding.
- This manual contains important information and it must be well kept.

Children's Electric Vehicle

Please read this manual carefully before operation.

Please keep this manual well for reference in the future.



WARNING

- "Warning. Not to be used in traffic."
- The toy should be used with caution since skill is required to avoid falls or collisions causing injury to the user or third parties.
- Examples of safe riding areas.
- A recommendation for adult supervision of young children.
- Toys must be assembled by an adult.


This product is powered by a lead-acid accumulator, so its electricity should never be used up. And the accumulator should be charged in time whenever it lacks of electricity, otherwise it may be badly damaged.

Before putting this product into use, please read this manual, which will tell you the correct operating method and assembling steps, so as to avoid your child being hurt or the vehicle being damaged by incorrect operation. Please well keep the manual in an accessible place.

A. Specifications

Suitable age	36-72 months	Load limit	25kg
Accumulator	6V4.5Ah/ 12V4.5Ah	Size	98×52×48cm
Charging time	8-12 hours	Speed	3.0km/h
Charger	Input: AC 220 V(or 110 V), Output: DC 500mA(700mA)		

B.Packing List

Serial number	Name	Quantity	Notes	Serial number	Name	Quantity	Notes
1	Car body	1		10	Lunxingai	4	
2	Drive wheel	1	Double Drive X2	11	manual	1	
3	A flat wheel	3	Double Drive X2	A	remote control	1	
4	A mirror	2		B	Chargers	1	
5	windshield	1		<div style="border: 1px solid black; padding: 5px;"> <p> The Guardian must not leave the child while he is on board.</p> <p>1 Not to be used on roads or streets 2. Do not ride on rough ground 3 Non-transport, under adult supervision 4 Toy operation requires a certain amount of technology, should be used with greater care to avoid collisions and falls leading to injury and other injuries</p> </div>			
6	seat	1					
7	Steering wheel	1					
8	MP3 conductor	1					
9	A plastic wrench	2					

C DIAGRAM

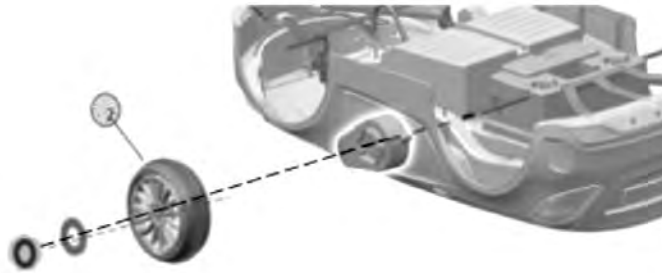
Note: Some parts need to be installed on both sides.



warning

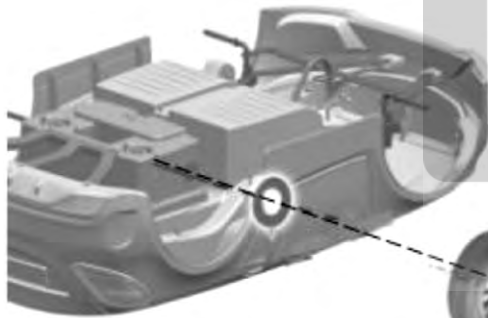
Please put the bag away in time to avoid asphyxiation caused by play
Products must be assembled by adults
Please bring your own installation tools, pointy insert and screwdriver
Contains small parts for use by children aged 3 and under

D Install rear wheel(single drive)



Turn the car upside down

1. Load a drive wheel on the rear shaft
2. Load a 10 # gasket on the rear shaft
3. Tighten 8 nuts with a plastic wrench
4. Add a plastic core cover



LEAN CARS

WWW.LEANTOYS.PL

1. Load a 10 # gasket on the rear shaft
2. Add a flat wheel
3. Load another 10 # gasket
4. Tighten 8 nuts with a plastic wrench
5. Add a plastic core cover

F charging



- Power switches must be turned off when charging.
Charge for 8-12 hours each time, but not more than 20 hours.
When the normal speed of the vehicle obviously slow down, the battery power, please charge.
1. Plug the charger into the charging hole (the charging hole is located on the side of the chair).
 2. Human rights Insert Charger into Power Plug

G Safety alert

Tell your child and his playmates the following safety rules and make sure they understand!

Ensure that your child uses this product in a safe driving environment, such as home, garden, or playground.
Note that vehicles are only suitable for hard and flat surfaces and, to ensure safety, are prohibited in the following unsafe environments:

- A trench pit, Riverside, lawn, slope or rough ground; Highway
- B or other vehicle form, pedestrian walking place;
- C Possible impact on an obstacle capable of causing harm;
- D Other unsafe areas.

Avoid children driving in the dark. Children do not deal with unexpected obstacles or accidents.

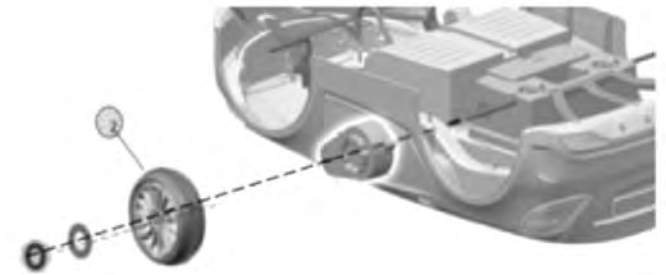
Have to drive a vehicle during the day or in a bright area.

Do not use this product outside when it rains or snows.

Please confirm that the user of the product conforms to the applicable age range of the product and must not exceed the maximum load.

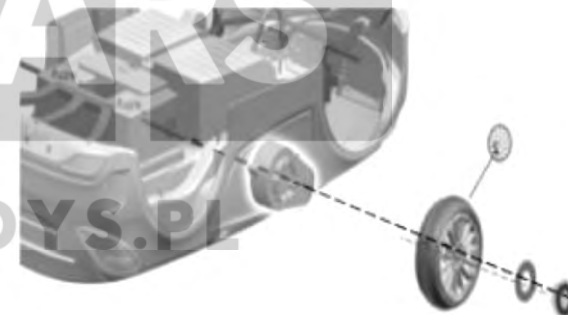
Please do not let any child near the moving vehicle and do not let the child touch the wheel.

D Install rear wheel(double drive)



Turn the car upside down

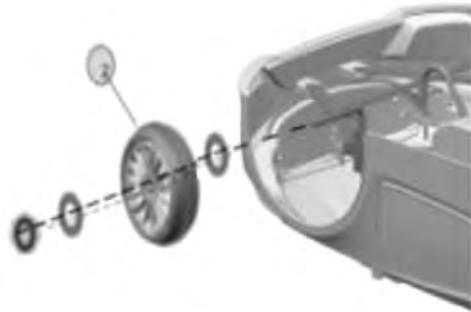
1. Load a drive wheel on the rear shaft
2. Load a 10 # gasket on the rear shaft
3. Tighten 8 nuts with a plastic wrench
4. Add a plastic core cover



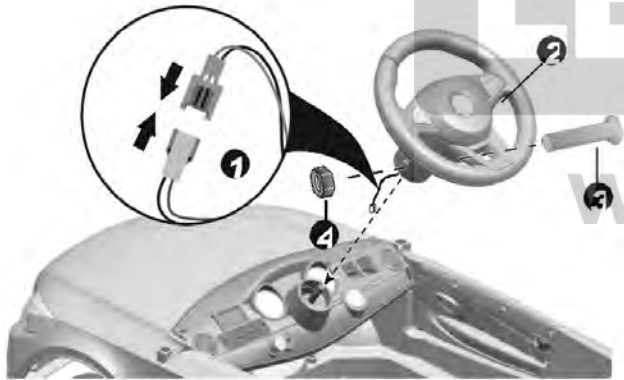
Turn the car upside down

1. Load a drive wheel on the rear shaft
2. Load a 10 # gasket on the rear shaft
3. Tighten 8 nuts with a plastic wrench
4. Add a plastic core cover

D Install flat wheel and steering wheel

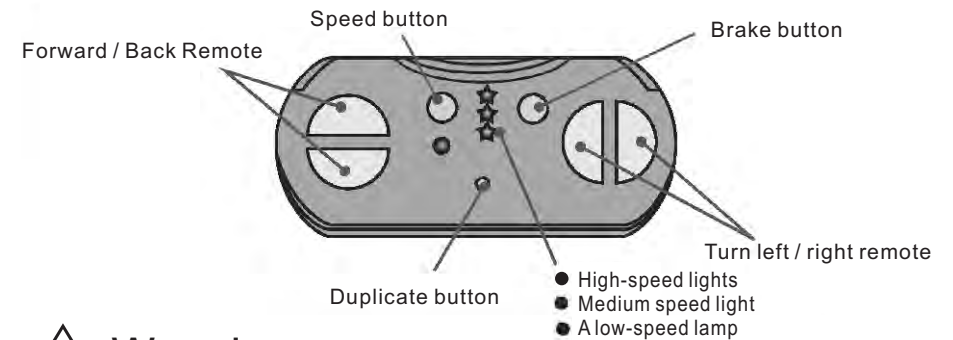


1. Loading a 10 pad on the front axis;
2. Human rights Load a flat wheel on the front axis;
3. Human rights Add a 10 pad;
4. Human rights Tighten the $\varnothing 8$ nut with a plastic wrench;
5. Human rights Embedding a plastic core cover;



1. Connect the music plug-INS on the orientation disk to the music plug-INS next to the direction bar, then place the plug-INS in the hole below the direction bar;
2. Insert the steering wheel into the end of the direction bar;
3. Alignment of the hole on the steering wheel with the hole on the direction bar and insertion of the M5 X 35 unit screw;
4. Human rights Screw M5 nut on the other side.

USE OF REMOTE CONTROL THE REMOTE CONTROL IS ONLY FOR THE GUARDIAN



Warning:

The remote control is not a toy and should be used by adults. Children can not touch play.

Disclaimer: remote control design for reference only, please refer to the object.

This product has the remote control priority function: when operating the remote control, the product pedal switch fails; When stop operation remote control, can use the foot pedal switch of this product.

Open the battery compartment on the back of the remote control and add two sections of 7(AAA LR03) alkaline batteries to the battery's polarity. When the frequency and speed lights are turned on, the battery is loaded correctly. This product does not provide dry batteries.

1. Frequency pair: long press the frequency pair button on the remote control 2-4 seconds, then turn on the power supply above the product, and then low-speed light flash after the long light, the success of frequency pair. Ruoduipin failed (low speed light flashing), remove the battery and repeat the steps above.

2. Human rights Brake button: Press brake button, this product will stop moving; Press this button again to remove the restriction.

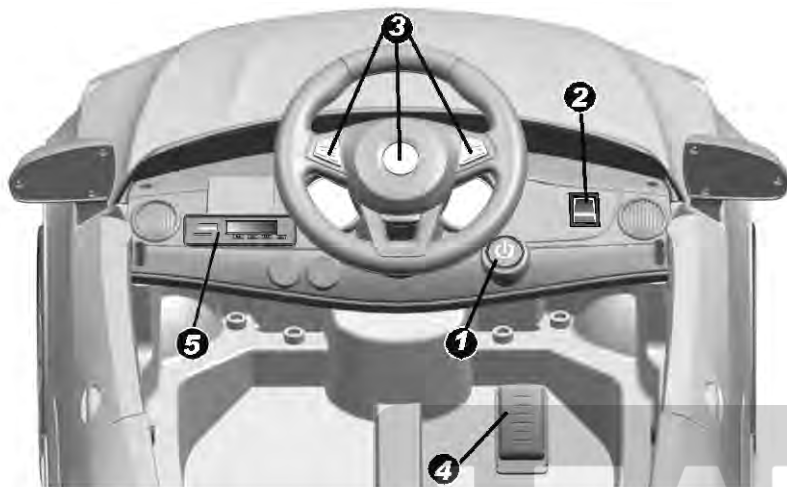
3. Human rights Speed select key and speed indicator: for selecting the movement speed of this product, press one key, speed switch once. A total of 3 cycle switching, the order of switching is: low middle and high.

The speed indicator is arranged from top to bottom on the remote control: high speed lamp, medium speed lamp, low speed lamp, when switching to the corresponding speed, the corresponding indicator light will be lit. Note: There is no change in the speed scale but only in the way and in the way back. Battery Safety Warning Please refer to this manual 7 pages

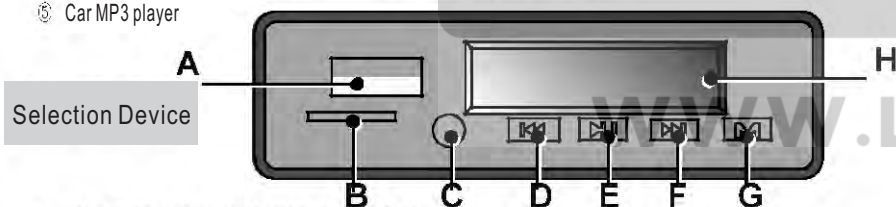
MATTERS NEEDING ATTENTION

1. This remote control has the energy saving setting, idle about 10 seconds, automatic power outage, all indicator lights go out. Press any button and it will work again.
2. Human rights Duplication operations need to be redone when the battery is first used and updated.

E Functional description

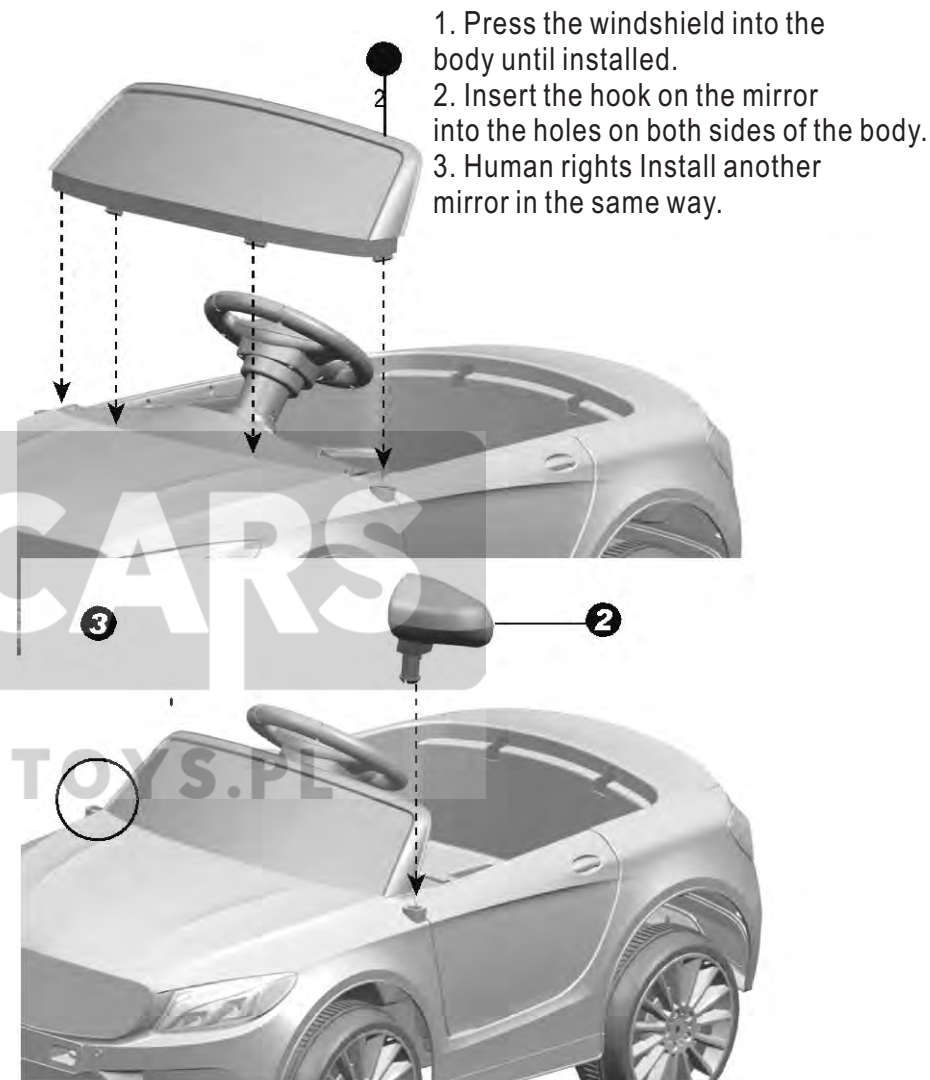


- ① Power button or one button: turn on or off the product power;
- ② Forward / backward switch: control the direction of the product movement, forward or backward; Center is stopped;
- ③ Music and Horn Buttons: Press the Ammonium Button to play a trumpet or music;
- ④ Foot pedal switch: step on the switch, the vehicle moves, the foot relaxes the switch, the vehicle will slow brake;
- ⑤ Car MP3 player



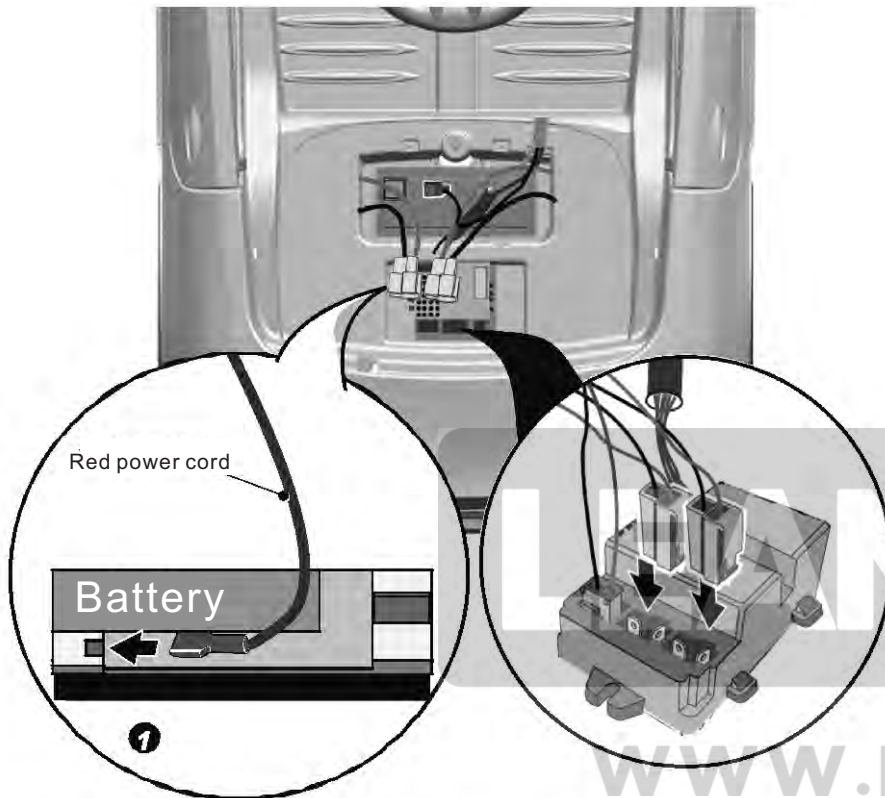
- A: USB input interface(MP3 format only)
- B: TFCARD slot(MP3 format only)
- C: 3.5 mm Audio input interface
- D: Previous, long press: reduce volume
- E: play/pause
- F: Next, long press: Increase volume
- G: Audio input source switching(available when multiple input sources are available)
- H: LED display, battery voltage when no music is played. (Single drive: charge below 5, double drive below 10)

D Installation of windshields and mirrors



1. Press the windshield into the body until installed.
2. Insert the hook on the mirror into the holes on both sides of the body.
3. Human rights Install another mirror in the same way.

D Connect power

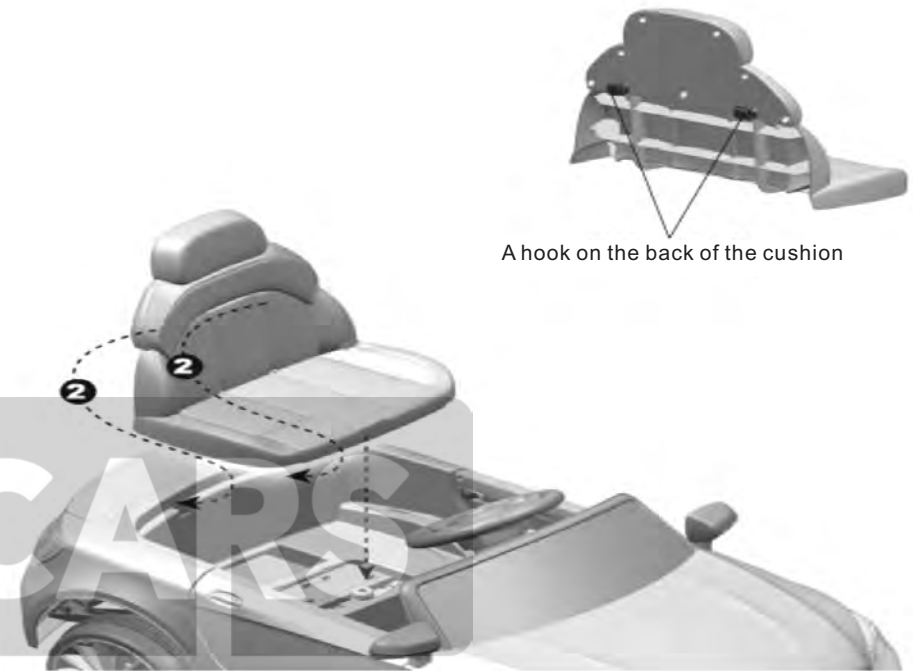


1. Connect the red power cord to the positive pole on the power supply. The negative pole is connected at the factory.
2. Human rights Connect the motor plug-in on the body motherboard with the motor plug-in on the drive gearbox.

⚠ Battery Safety Warning

Non-rechargeable batteries can not be recharged;
Batteries can only be recharged under adult supervision;
Rechargeable batteries should be removed from toys before charging;
Different types of batteries or old and new batteries can not be combined;
The battery should be placed in the correct polarity;
Exhaust batteries should be removed from toys;
Power terminals must not short-circuit;
Dry batteries are not available

E Install Cushion



1. The back of the seat hook into the body of the card slot;
2. Human rights And two 4x12 screw seats.