

Children Electric RIDE ON



LEAN CARS

WWW.LEANTOYS.PL

USE AND INSTALL INSTRUCTIONS

Our products are suitable for
ASTM F963; GB6675; EN71 and **EN62115** standard.

Applicable age range: 36-95 months Maximum weight of 30 kg
Assembly and each charge must be completed by the adult Please read the instructions carefully before using
The instructions contain important information. Please keep them for future reference.
It is recommended to charge 4-6 hours before use Use under adult supervision, can not drive on the road

About Your New Ride-on 1

Once the purchase of your new Ride-On.

This ride-on car will provide your child with many miles of riding of enjoyment. To help assure you and your rider a safe ride we ask you to please read this manual carefully, and keep it for future reference.

Follow the recommendations in this manual, they are designed to improve the safety and operation of your ride-on car and it's rider.

Battery 12V 7AH*1 or 12V 10AH*1

Charger 220V (or 110v) 12V / 1000M

LEAN CARS

Suitable age: 36-95 Months

Load Capacity: Under 30 kg

Speed: 5.5 km/h

Size of car: 139x95x93CM

Power way: Charging type

Charge time: 8-12 hours

WWW.LEANTOYS.PL

Parts List 2

PART NO.	PART NAME	Q'ty (pcs)		REMARKS
			AWD	
1	Assembly body	1		
2	Seat	1		
3	Front bumper	1		
4	Front frame	1		
5	Straight rung	1		
6	Bending rung	1		
7	Detection of light	1		
8	The door pedal	2		Distinguish the "L" "R"
9	The armrest	2		Distinguish the "L" "R"
10	Steering wheel	1		5*40mm screw +M5 nut
11	Mirror	2		
12	Front wheel	2	0	
13	Rear wheel	2	4	With wheels and clubs
14	Wheel cover	4		
15	"U" shape bracket	1		
16	Bogie	1		With gasket and M8 nut
17	lateral plate	1		
18	Foot square tube	4		
19	Aft shaft	1		
20	Front drive motor		2	
21	Product specification	1		
22	Charger	1		
23	Remote control	1		
24	Screw pack	1		
25	MP3 connector	1		
26	Plastic wrench	2		

Screw instructions

A	Ø4 x20mm screw	4		Install front bumper
B	Ø5 x35mm screw	1		Install "U" shape bracket
C	Ø4x12mmBlack screw	12		Install the door pedal
D	Ø4x12mmBlack screw	16		Install lateral plate
E	Ø4x12mmBlack screw	12		Install wheel cover

NOTE: Some parts shown are assembled on both sides of vehicle

Parts Diagram 3

NOTE: Some parts shown are assembled on both sides of vehicle



Maintaining 19

- It is parents' responsibility to check main parts of the toy before using.
- Regular examination of transformer or battery charger for any damage to their cord, plug, enclosure and other parts, and that, in the event of such damage, toy must not be used with transformer or battery charger until such damage has been repaired.
- Make sure the plastic parts of the vehicle are not cracked or broken.
- Occasionally use a lightweight oil to lubricate moving parts such as wheels.
- Park the vehicle indoors or cover it with a tarp to protect it from wet weather.
- Keep the vehicle away from sources of heat, such as stoves and heaters.
- Plastic parts may melt.
- Recharge the battery after each use.
- Only an adult can handle the battery.
- Recharge the battery at least once a month when the vehicle.
- Raider is not being used.
- Do not wash the vehicle with a hose.
- Do not wash the vehicle with soap and water.
- Do not drive the vehicle in rainy or snowy weather.
- Water will damage the motor, electric system and battery.
- Clean the vehicle with a soft, dry cloth.
- To restore shine to plastic parts, use a non-wax furniture polish.
- Do not use car wax.
- Do not use abrasive cleaners.
- Do not drive the vehicle in loose dirt, sand or fine gravel which could damage the moving parts, motors or the electric system.
- When not using, all the electrical source should be turn off.
- Turn off the power switch and disconnect the battery connection

LEAN CARS

WWW.LEANTOYS.PL

Before Assembly 4

WARNING!

- **CHOKING HAZARD** - Small parts. Not suitable for children under 36 months. The product contains small parts, keep children away when assembling.
 - **ADULT ASSEMBLY REQUIRED.**
 - Always remove protective material and poly bags and dispose before assembly.
-
- Make sure that the power switch is **turned "OFF"** before assembling the ride-on.
 - Before first time use, charge the battery for at least 4 to 6 hours.
 - Assembly tools required:



Screwdriver
(not included)



Long nose pliers
(not included)



Spanner

BATTERY INFORMATION

- Non-rechargeable batteries are not to be recharged.
- Rechargeable batteries are to be removed from the toy before being charged.
- Rechargeable batteries are only to be charged under adult supervision.
- Different types of batteries or new and used batteries are not to be mixed.
- Batteries are to be inserted with the correct polarity.
- Exhausted batteries are to be removed from the toy.
- The supply terminals are not to be short-circuited.

Mounting safety frame 5



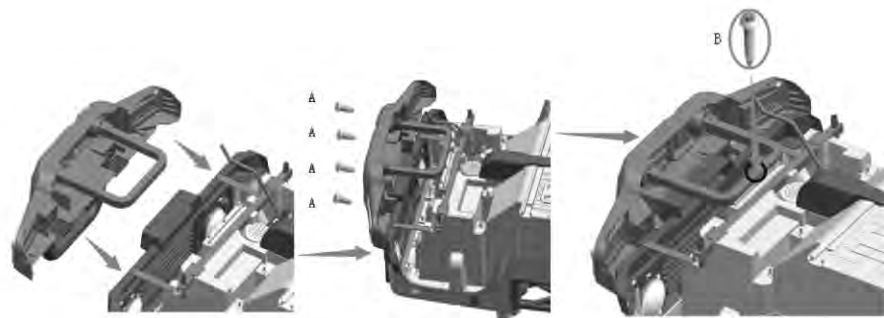
1. Install the probe lamp on the front retaining bar and fix it with 2PC Ø4X12

screws.



2. Install the "U" support on the front bumper and fix it with 4PC Ø4X12 screws.

3. Fasten the front bumper on the body with 4PC Ø4X20 screws and 1PC Ø5X35 screws.



Troubleshooting guide 18

Problem	Possible Cause	Solution
Vehicle does not run	Battery low on power	Recharge battery.
	Thermal fuse has tripped	Reset fuse, see <Fuse>
	Battery connector (or wires) are loose	Check that the battery connectors are firmly plugged into each other. If wires are loose around the motor - <i>contact your distributor please.</i>
	Battery is dead	Replace battery, <i>contact your distributor please.</i>
	Electrical system is damaged	<i>Contact your distributor please.</i>
	Motor is damaged	<i>Contact your distributor please.</i>
Vehicle does not run very long	Battery is under charged	Check that the battery connectors are firmly plugged into each other when recharging.
	Battery is old	Replace battery, <i>contact your distributor please.</i>
Vehicle runs sluggishly	Battery low on power	Recharge battery, <i>contact your distributor please.</i>
	Battery is old	Replace battery, <i>contact your distributor please.</i>
	Vehicle is overload	Reduce weight on vehicle. Maximum user weight is 30 kg.
	Vehicle is being used in harsh conditions	Avoid using vehicle in harsh conditions, see <Safety>.
Vehicle needs a push to go forward	Poor contact of wires or connectors	Check that the battery connectors are firmly plugged into each other. If wires are loose around the motor - <i>contact your distributor please.</i>
	"Dead Spot" on motor	A dead spot means the electric power is not being delivered to the terminal connection and the vehicle needs repair. <i>Contact your distributor please.</i>
Difficult shifting from forward to reverse or vice-versa	Attempting to shift while the vehicle is motion	Completely stop the vehicle and shift, see <Use Your Ride-On>
Loud grinding or clicking noises coming from motor or gear box	Motor or gears are damaged	<i>Contact your distributor please.</i>
Battery will not recharge	Battery connector or adapter connector is loose	Check that the battery connectors are firmly plugged into each other.
	Charger not plugged in	Check that the battery charger is plugged into a working wall outlet.
	Charger is not working	<i>Contact your distributor please.</i>

Completely read through this manual and the troubleshooting guide table before calling. If you still need help resolving the problem *Contact you distributor please.*

Battery Replacement & Fuse 17

The battery features a thermal fuse with a reset fuse that will automatically trip and cut all power to the vehicle if the motor, electric system or battery is overloaded. The fuse will reset and power will be restored after the unit is turned OFF for 20 seconds and then turned ON again. If the thermal fuse trips repeatedly during normal use, the vehicle may need repair. **Contact your distributor please.**

To avoid losing power, follow these guidelines:

- Do not overload the vehicle.
- Do not tow anything behind the vehicle.
- Do not drive up steep slopes.
- Do not drive into fixed objects, which may cause the wheels to spin, causing the motor to overheat.
- Do not drive in very hot weather, components may overheat.
- Do not allow water or other liquids to come in contact with the battery or other electric components.
- Do not tamper with the electric system. Doing so may create a short, causing the fuse to trip.

Battery Replacement and Disposal

The battery will eventually lose the ability to hold a charge. Depending on the amount of use, and varying conditions, the battery should operate for one to three years. Follow these steps to replace and dispose the battery:

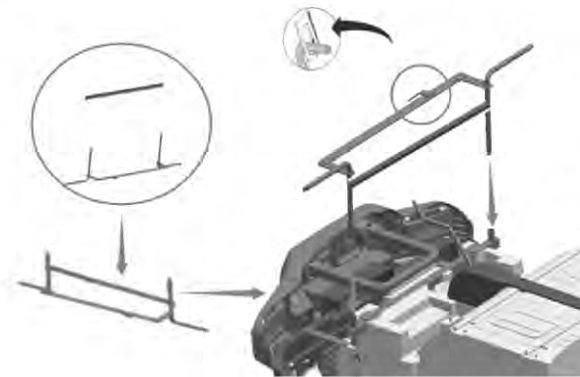
1. Remove the car seat.
2. Disconnect the battery connectors.
3. Remove the battery bracket.
4. Remove the battery cover.
5. Carefully lift the battery.

- Depending on the condition of the battery (i.e.: leakage) you may want to wear protective gloves before removal.
 - Do not lift the battery by its connectors or cables.
6. Place the dead battery in a plastic bag.

Important! Recycle the dead battery responsibly. The battery contains lead acid (electrolyte) and must be disposed of properly and legally. It is illegal in most areas to incinerate lead acid batteries or dispose of them in landfills. Take it to a federal or state-approved lead acid battery recycler, such as local automotive battery retailer. Do not throw the battery away with your regular household waste!

7. Replace the battery and reconnect the connectors.
8. Replace the metal battery bracket.
9. Replace the seat.

Loading bogies and front wheels 6



1. The iron sheet should be first fitted on the bogie.

2. Insert the bogie into the car body and fix it with **Ø8 gaskets** and **M8 nut**

(Note: separate the bogie from the **front and back** and ensure the steering rod goes through the long hole of the bogie).

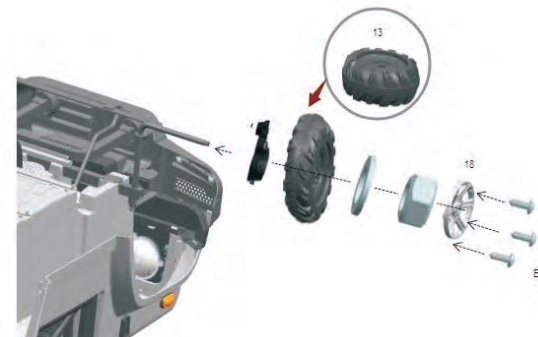
3. First insert **1PC Ø12 gaskets** into the front axle, then install the front wheel, then insert **1PC Ø10 gaskets** and fix it with **M8 nut**.

(Four-Drive install motor first, then install rear wheel)

4. Fixing wheel cover with **3PC Ø4X12 black screws** (The right and left front wheels are installed in the same way)



tow- drive front wheel installation



Four- drive front wheel installation

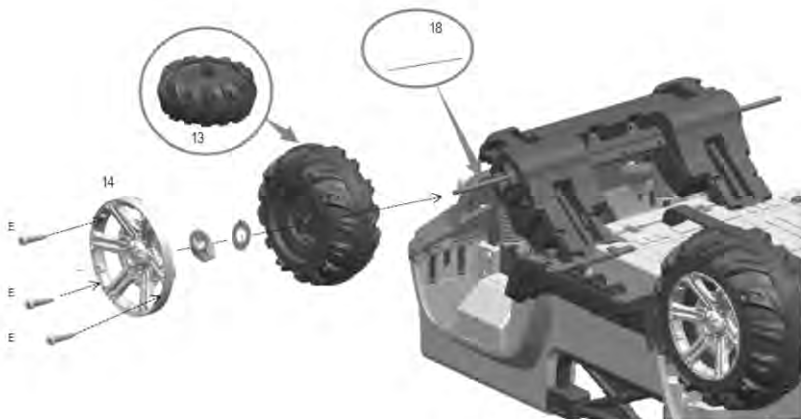
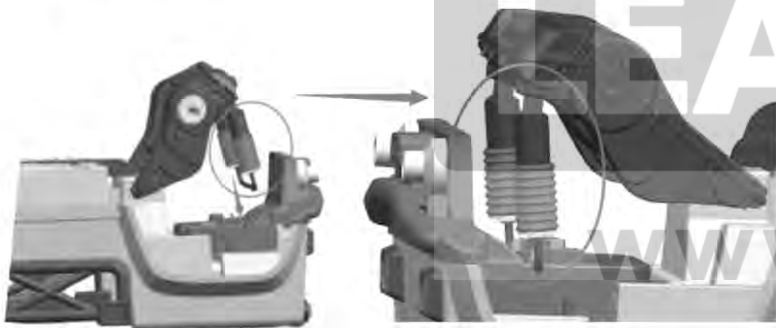
Mounting supports and rear wheels 7

1. Open the support frame of the electric chassis and press the slot on the car body down (**with self-locking device in the slot**)

2. First put the rear axle in the electric case, install the rear wheel, put in 1PC $\varnothing 10$ gasket, then with **M8 nut** fixed.

3. Fix wheel cover with 3PC $\varnothing 4 \times 12$ black screws.

(Remarks: Same installation method for left and right rear wheels))



Charging 16

- The POWER SWITCH must be turned in **OFF** position when charging.
 - Before the first use, you should charge the battery for 4-6 hours. Do not recharge the battery for more than 10 hours to avoid overheating the charger.
 - When the vehicle begins to run slowly, recharge the battery.
 - After each use or once a month minimum recharge time as 8 to 12 hours, less than 20 hours at most.
- If your ride-on with a *Digital voltmeter(IF EQUIPPED)*, the magnitude of voltage will tell you how much power is remaining in the battery when you must recharge the battery. Make sure the vehicle is stop!



1. Plug the charger port into the input socket. (**Charging port on the meter**)
HINT: If your vehicle equipped with the Multi-function Dash, the Charging Socket is on the dash, please see page 21 <Use the Multi-function Dash>
2. Plug the charger plug into a wall outlet. The battery will begin charging.

This product with **Charging Protection**: when charging, all functions will be cut off!

Only an **adult** can charge and recharge the battery!

WARNING!

This product with **Charging Protection**: when charging, all functions will be cut off!
Only an **adult** can charge and recharge the battery!

Charging 15

ONLY AN ADULT CAN CHARGE AND RECHARGE THE BATTERY!

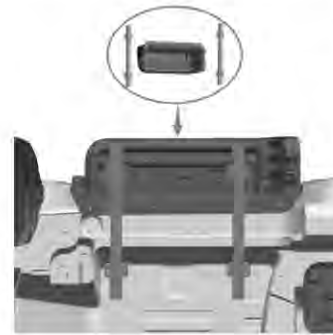
WARNING!

• PREVENT FIRE AND ELECTRIC SHOCK:

- Use the only rechargeable battery and charger supplied with your vehicle. NEVER substitute the battery or the charger with another brand. Using another battery or charger may cause a fire or explosion.
- Do not use the battery or charger for any other product. Overheating, fire or explosion could occur.
- NEVER modify the electric circuit system. Tampering with the electric system may cause a shock, fire or explosion or may permanently damage the system.
- Do not allow direct contact between battery terminals. Fire or explosion can occur.
- Do not allow any type of liquid on the battery or its components.
- Explosive gasses are created during charging. Do not charge near heat or flammable materials. Charge the battery in a well-ventilated area ONLY.
- NEVER pick up the battery by the wires or charger. Damage can occur to the battery and may cause a fire. Pick up the battery by the case ONLY.
- Charge the battery in a dry area ONLY.
- Battery posts, terminals and related accessories contain lead and lead compounds, chemicals known to the State of California to cause cancer and reproductive harm. **Wash hands after handling.**
- Do not open the battery. Battery contains lead acid and other materials that are toxic and corrosive.
- Do not open the charger. Exposed wiring and circuitry inside case may cause electric shock. • Only adults may handle or charge the battery. NEVER allow child to handle or charge the battery. Battery is heavy and contains lead acid (electrolyte).
- Do not drop the battery. Permanent damage to the battery could occur or cause serious injury.
- Before charging the battery, check for wear or damage to the battery, charger, its supply cord and the connectors. DO NOT charge the battery if any damage to parts has occurred.
- Do not allow the battery to drain completely. Recharge the battery after each use or once a month if not used regularly.
- Do not charge battery upside down.
- Always secure the battery with the bracket. Battery can fall out and injure a child if vehicle tips over.

- The POWER SWITCH must be turned in **OFF** position when charging.
- Before the first use, you should charge the battery for 4-6 hours. Do not recharge the battery for more than 10 hours to avoid overheating the charger.
- When the vehicle begins to run slowly, recharge the battery.
- After each use or once a month minimum recharge time as 8 to 12 hours, less than 20 hours at most.

Install door pedal and steering wheel 8



1. Install door pedal: place door pedal on the body and fix.
2. With 6 PC **Ø4X12 black screws**. Then use 8PC **Ø4X12 black screws** to fix the square tube. (Remarks: Same installation method from left to right)



1. Install steering wheel: first docking plastic connector, then down the steering wheel mounted on the iron shaft. (**Note:** the front and rear direction of the steering wheel)
2. Then fixed with **Ø5X40 nut bolt** and **M5 nut**.



1. Install the seat, place the seat on the car body and fix it with 2PC **Ø4X16 screws**.

2. Before installing handrails, assemble them and install them on the body.

3. How to assemble the handrails, the left and right handrails are clamped at the two ends of the straight bar, and then the curved bars are inserted in the socket of the handrail, both sides are fixed with **Ø5X35 screws** and **M5 nuts** respectively. (**Notice: the position of the parts before and after**)



WARNING!

PREVENT INJURIES AND DEATHS:

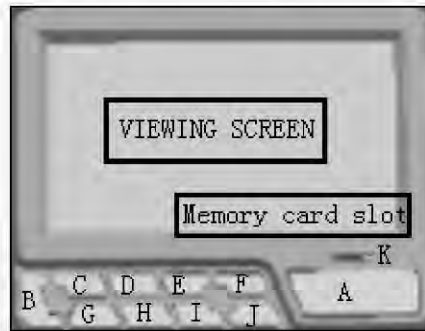
- **NEVER LEAVE CHILD UNATTENDED. DIRECT ADULT SUPERVISION IS REQUIRED.**
- Always keep child in view when child is in vehicle.
- This toy should be used with caution since skill is required to avoid falls or collisions causing injury to the user or third parties.
- Protective equipment should be worn.
- Never use in roadways, near cars, on or near steep inclines or steps, swimming pools or other bodies of water.
- Always wear shoes.
- Always sit on the seat.
- Not to be used in traffic.
- This toy is unsuitable for children under 36 months due to its maximum speed; Maximum user weight is 30 kgs.
- This toy has no brake.

Rules for Safe Riding

- Keep Children within Safe Riding Areas:
 - Never use in roadway, near motor vehicles, on lawn space, on or near steep inclines or steps, swimming pools or other bodies of water;
- Use the toy only on flat surfaces. Such as inside your house, garden or playground.
- Never use in the dark. A child could encounter unexpected obstacles and have an accident. Operate the vehicle only in the daytime or a well-lit area.
- It is prohibited to change the circuit or add other electric parts
- Inspect wires and connections of the vehicle periodically.
- Do not let any child touch the wheels or be near them when the car is moving .
- This vehicle has adjustable play seat belts. Please instruct children how to tie the safety belt before using, guarantee the security.

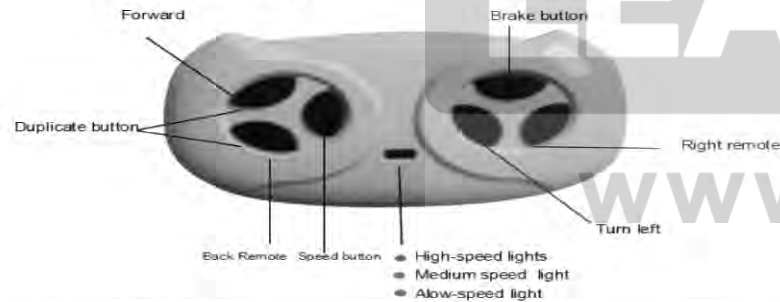


3. How to use MP4 (optional functionality)



- A. START/STOP BUTTON
- B. LIGHT BUTTON
- C. ADD VOLUME AND SWITCH BUTTONS
- D. VOLUME REDUCTION AND TOGGLE BUTTONS
- E. HIGH SPEED MOTOR BUTTONS
- F. ADVANCE
- G. MP4 BUTTONS
- H. MP3 BUTTONS
- I. LOW SPEED MOTOR BUTTONS
- J. DRAW BACK
- K. MEMORY CARD SLOT

Optional features



Warning:

The remote control is not a toy, should be used by adults, children can not touch play.

Disclaimer:

The remote control pattern is for reference only, please refer to the object.



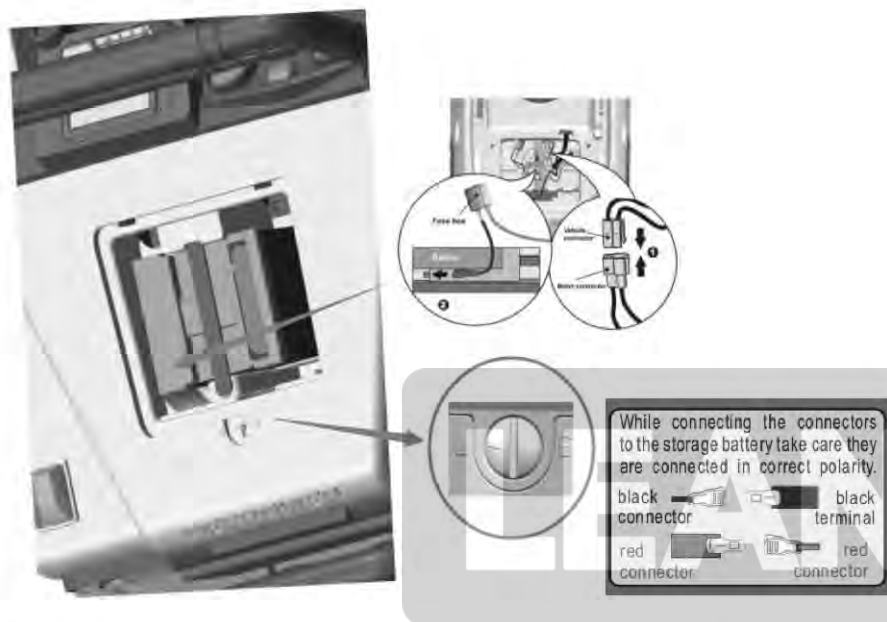
- 1, first remove the battery cover on the remote control, in the section 2 batterie in the right way.
- 2, for the first time to use the code, this product has the memory function. after replacing the battery without having to code.
- 3, the code steps:
 Long press to code for 3 to 5 seconds, until the LED lights flashing, open the power supply buggies, LED lights into long, the code is successful.
 See note on the back of the remote control to use.



1. Distinguish the mirror from left to right, one side with **M8 gasket** and **M8 nut** fixed. (Same installation method for left and right)

2. Pointing at the upper hole position of the car body, pressing the windshield down.

Docking battery plug-in 11



1. Product assembly completed, check if missing accessories;
2. Open the decorative cover plate on the car cover board, docking the battery plug-in to ensure that the positive and negative electrodes of the battery cannot be connected back.

(Red to red, black to black)

(Remarks: This operation must be done by adults)

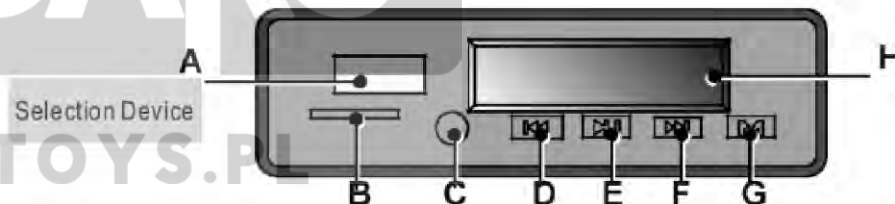
Product usage 12

1. How to use music

Turn on the power switch, honk the horn button, press the music button to issue the music sound.



2. How to use player



- A: USB input interface(MP3 format only)
- B: TF card slot(MP3 format only)
- C: 3.5 mm Audio input interface
- D: Previous, long press: reduce volume
- E: play/pause
- F: Next, long press: Increase volume
- G: Audio input source switching(available when multiple input sources are available)
- H: LED display, battery voltage when no music is played. (Single drive: charge below 5, double drive below 10)