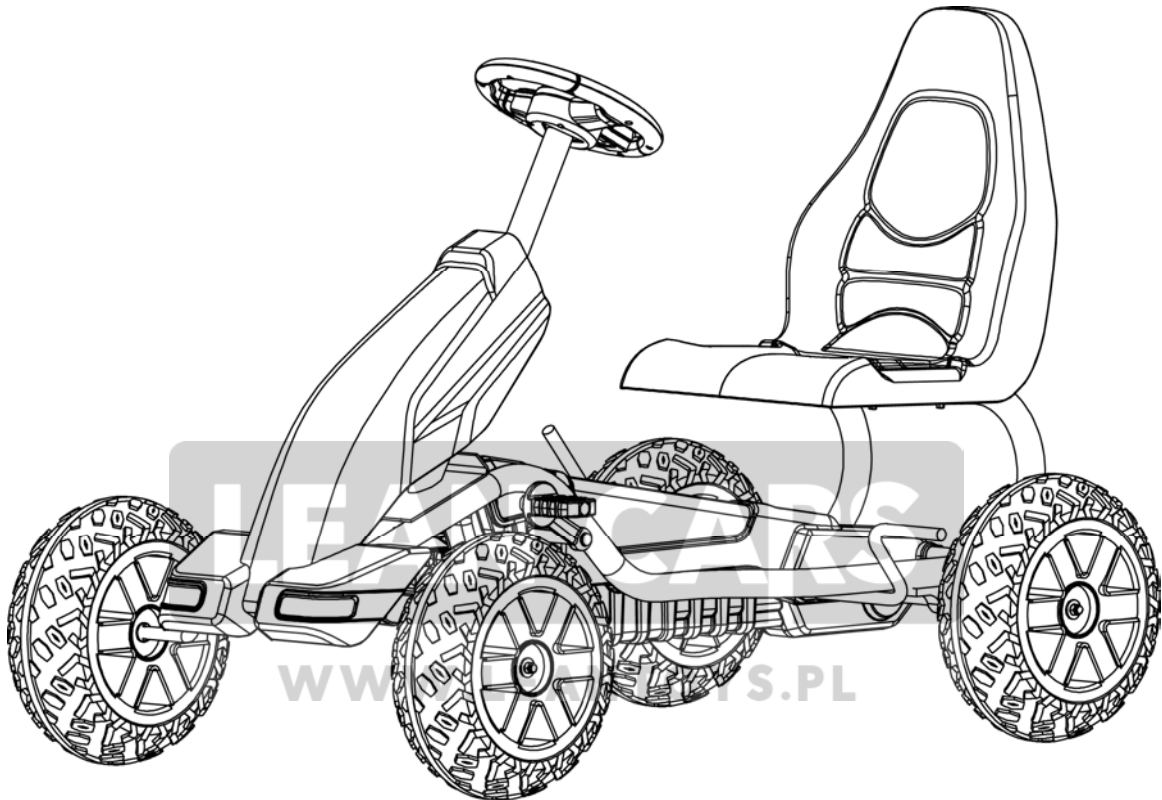


CHILDREN'S

GO KART

B012

Assembly & User Instructions - Please keep for future reference



Picture for reference only. Please refer to real object.



Important

Warning!

**Age: 6 Years +
Maximum user
weight: 100kg**

- 1. For family and domestic use only**
- 2. Not to be used in traffic**
- 3. Adult assembly required**

Important - Please read these instructions fully before assembly or use

These instructions contain important information which will help you get the best from your product and ensure safe and correct assembly, use and maintenance.

Table of Contents

1. *About Your New Vehicle*
2. *Safety Information*
3. *Parts List*
4. *Parts Diagram*
5. *Assembly Steps*
6. *How To Operation Your Vehicle*
7. *Maintaining Your Vehicle*



WWW.LEANTOYS.PL

About Your New Vehicle

Thank you for purchasing our products, we want your child to enjoy this product for years to come. Keep these points in mind as you read this guide:

Suitable age:	6 ⁺ years		
Load Capacity:	Under 100Kg		
Material:	PP, Metal, EVA/Rubber	Optimum Temperature:	Below 40°C Avoid to use under burning sun

Safety Information



WARNING!

• General safety:

- Where products need assembly they must always be assembled by an adult. As a parent/carer, it is also your responsibility to check the tightness of screws, nuts and bolts before each use and if necessary, adjust and re-tighten.
- This product may contain small parts and it is your responsibility as a parent/carer to exclude children from the area during assembly due to small parts.
- Remove protective material and poly bags and dispose of them responsibly before giving the assembled product to your child.
- Remember to retain these instructions for future reference.
- We have tried to make our toys as simple as possible to assemble but inevitably there will be one or two slightly more complex tasks.

Positioning :

- Do not allow your child to ride at night or in poor light conditions.
- Do not let your child play near steps, swimming pools / spas or other sources of water, on slopes, on streets or around cars, even if parked on your own property.
- It is prohibited to drive/use this product on the public highway.
- This product is designed to be used on smooth surfaces and should not be used on soft ground or in the rain or snow.

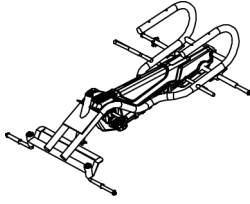

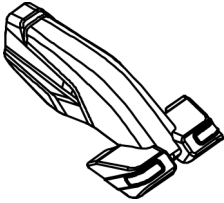


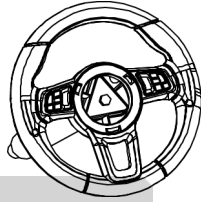

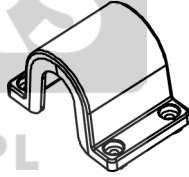
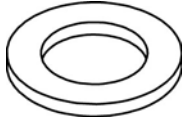
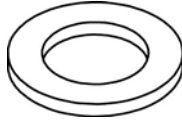




Before use:

- Dispose of all packaging material responsibly before giving this product to your child.
- Check tightness of all components before giving this product to your child.


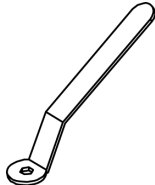
During use:

- This product is only suitable for children 6 years and older.
- The toy should be used with caution since skill is required to avoid falls or collisions causing injury to the user or third parties.
- The maximum rider weight capacity for this product is 100Kg do not overload.
- Adult supervision is highly recommended when children play with wheeled toys. Your child's safety is your concern.
- Do not allow the child to ride with bare feet or without suitable footwear.
- Ensure the child keeps clothing, hands, hair, fingers and feet away from moving parts.
- The use of protective gear including approved helmets, gloves and pad is recommended.
- Store this product at room temperature; do not leave it outside or uncared for.

Parts List

PART NO	PART NAME	PICTURE	Qty (pcs)	REMARKS	PART NO	PART NAME	PICTURE	Qty (pcs)	REMARKS
1	Vehicle body		1		2	Seat		1	
3	Baffle		1		4	Front wheel		2	
5	Rear wheel		2		6	Steering wheel		1	
7	Cover		1		8	Fixing part		3	
9	M16 washer		2	Placed in the front axle	10	M12 washer		4	Placed in the rear and front axle
11	M12 Nut		4	Placed in the rear and front axle	12	Bolt		4	
13	M5 Nut		4		14	Screw		12	

Parts List

PART NO	PART NAME	PICTURE	Qty (pcs)	REMARKS	PART NO	PART NAME	PICTURE	Qty (pcs)	REMARKS
15	Instruction manual		1		16	Spanner		1	

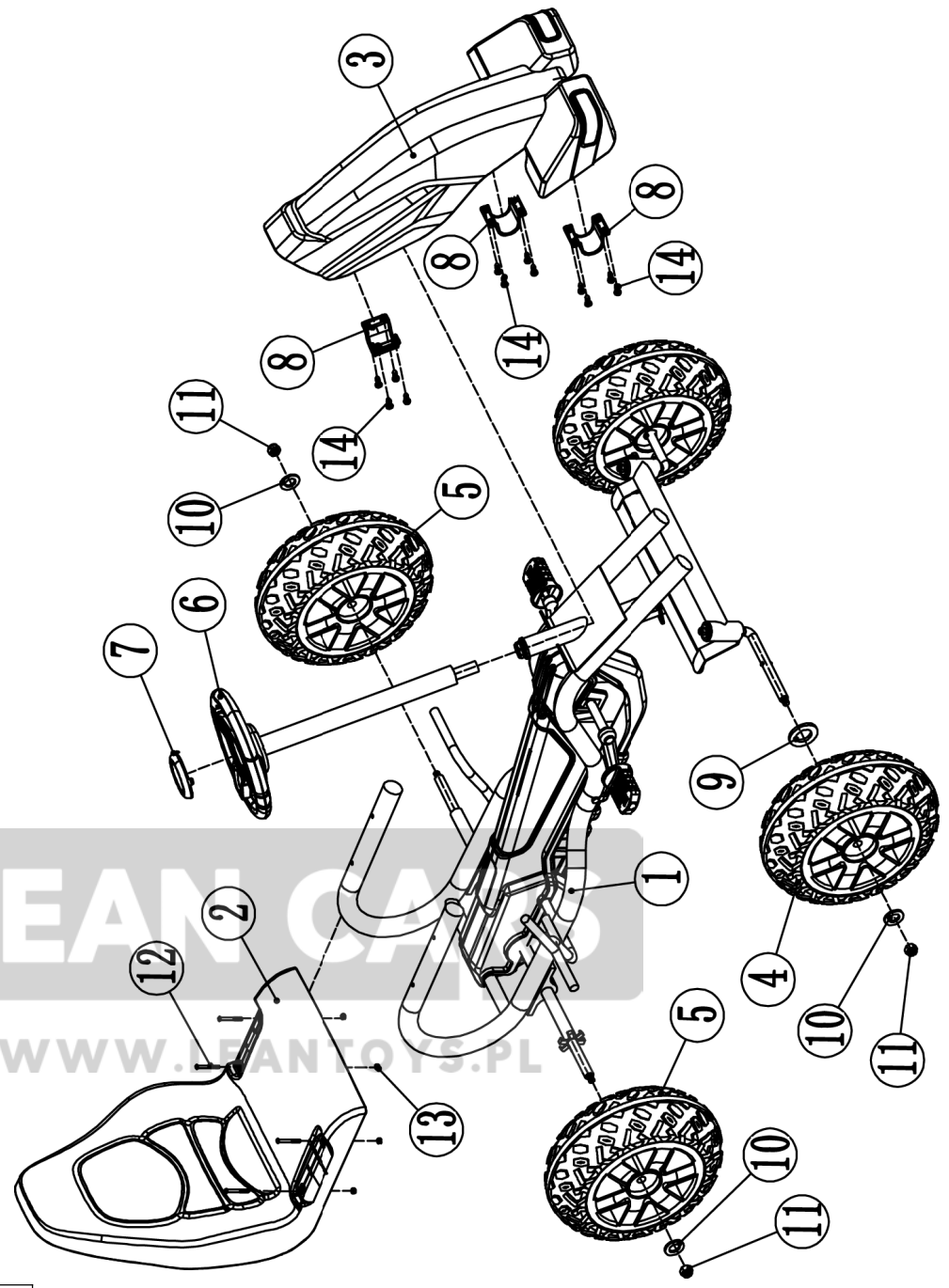
LEAN CARS

WWW.LEANTOYS.PL

Parts Diagram

1	Vehicle body *1	2	Seat*1	3	Baffle*1
4	Front wheel*2	5	Rear wheel*2	6	Steering wheel*1
7	Cover*1	8	Fixing part*3	9	M16Washer*2
10	M12 Washer*4	11	M12 Nut*4	12	Bolt*4
13	M5Nut*4	14	Screw*12		

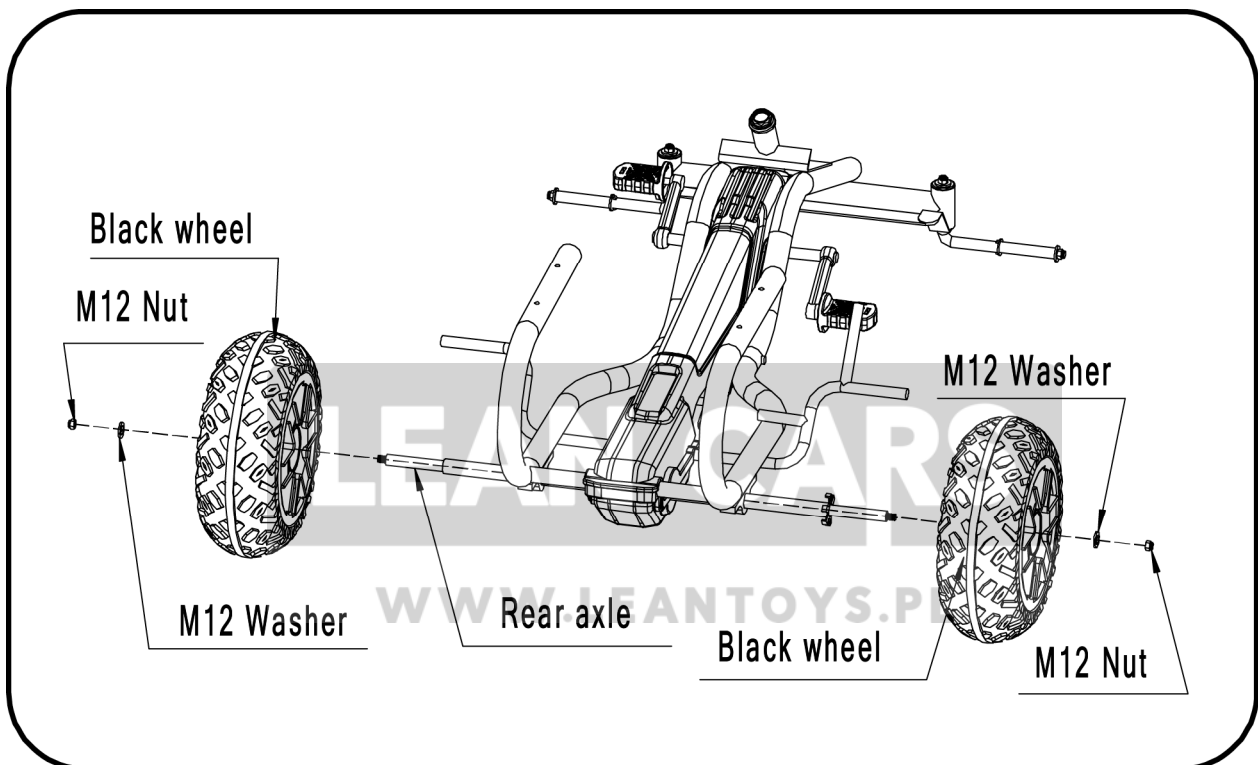
NOTE: Some Parts Shown are assembled on both sides of vehicle



Assembly Steps

- Your new vehicle requires adult assembly. Please set aside at least 40 minutes for assembly. Children can be harmed by small parts, sharp edges and sharp points in the vehicle's unassembled state. Care should be taken in unpacking and assembly of the vehicle. Children should not handle parts, or help in assembly of the vehicle.
- Please identify all parts before assembly and save all packaging material until assembly is complete to ensure that no parts are discarded.

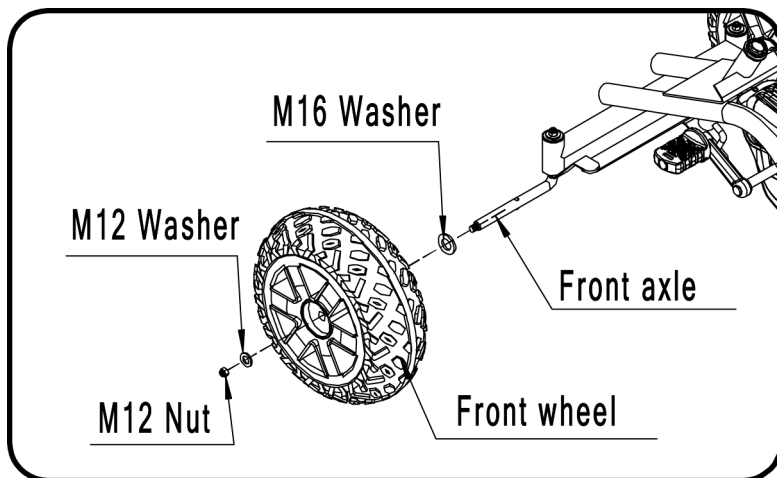
1. Install the back wheel.



- Remove the nut and washer on the rear axle.
- As showed in the picture, Put the rear wheel,washer through the rear axle in turn,then fix them with nut.
- The other side is same as above.

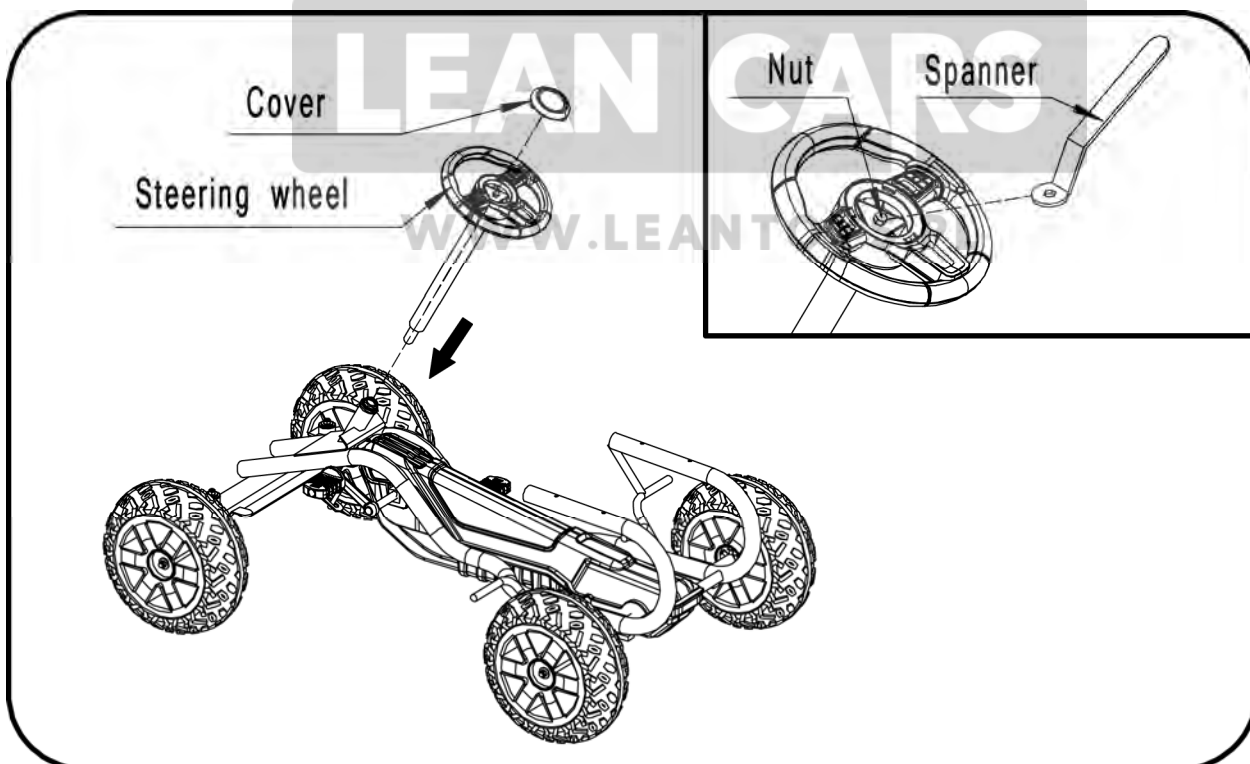
Assembly Steps

2. Install the front wheels .



- Remove the nut and washer on the front axle;
- As showed in the picture, fix the washer, front wheel ,washer onto the axle in proper order.,then fix them with nut.
- Fix another front wheel on the other side.

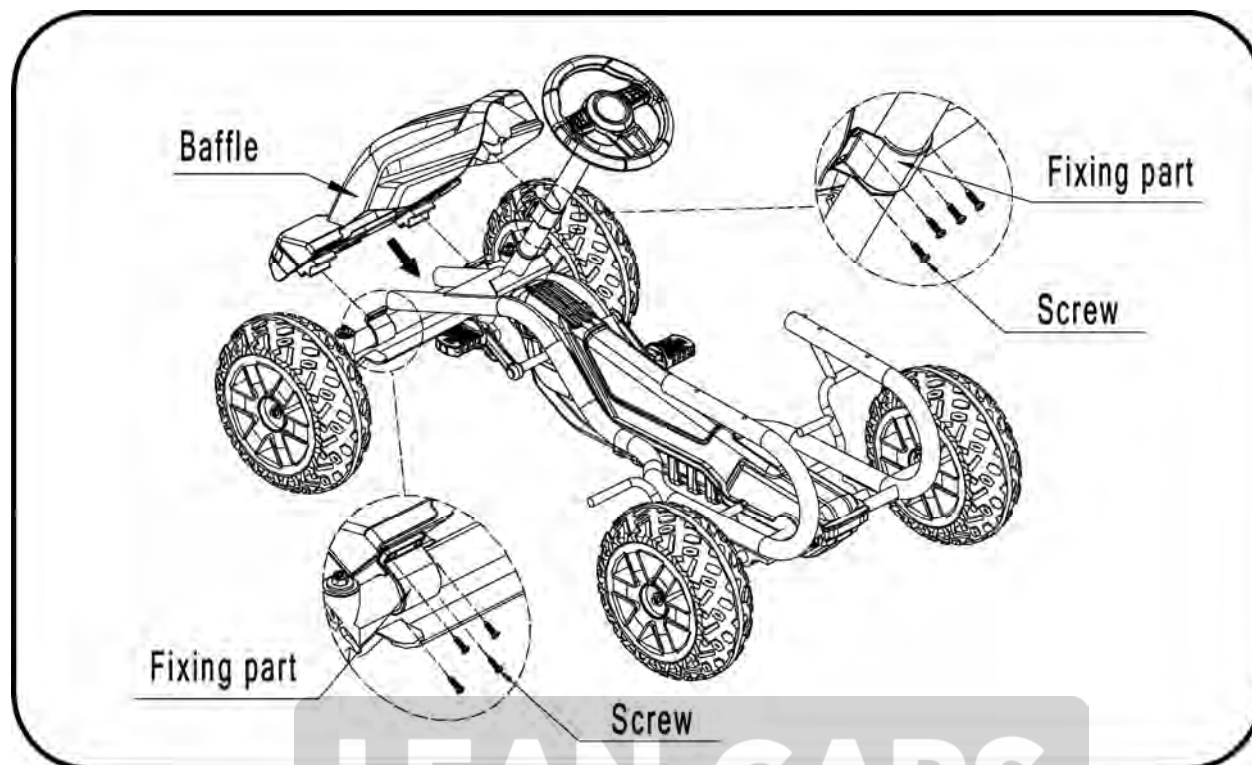
3. Install the steering wheel .



- As showed in the picture, press the steering wheel,Adjust the height well and fasten with the nut.
- Fasten the nut with spanner.
- As showed in the picture,install the cove.

Assembly Steps

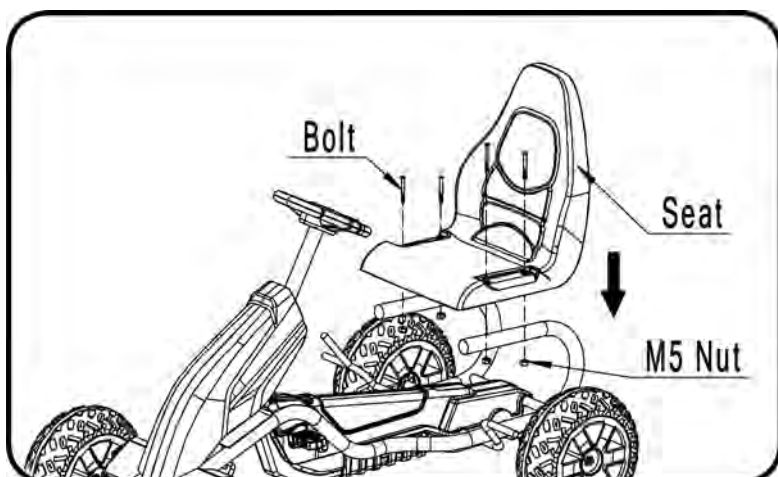
4. Install the baffle .



- As showed in the picture,install the baffle to the corresponding place, and fasten with the fixing part and screws.

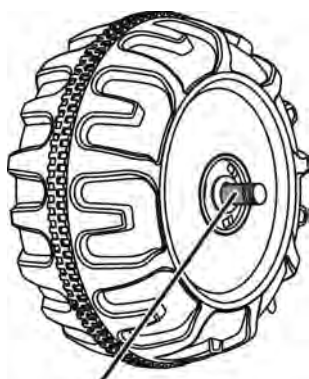
WWW.LEANTOYS.PL

5. Install the seat.



- As showed in the picture,install the seat to the corresponding place, and fasten with the bolt and nuts.

Assembly Steps



GAP

IMPORTANT SUPPLEMENT TO INSTRUCTION MANUAL

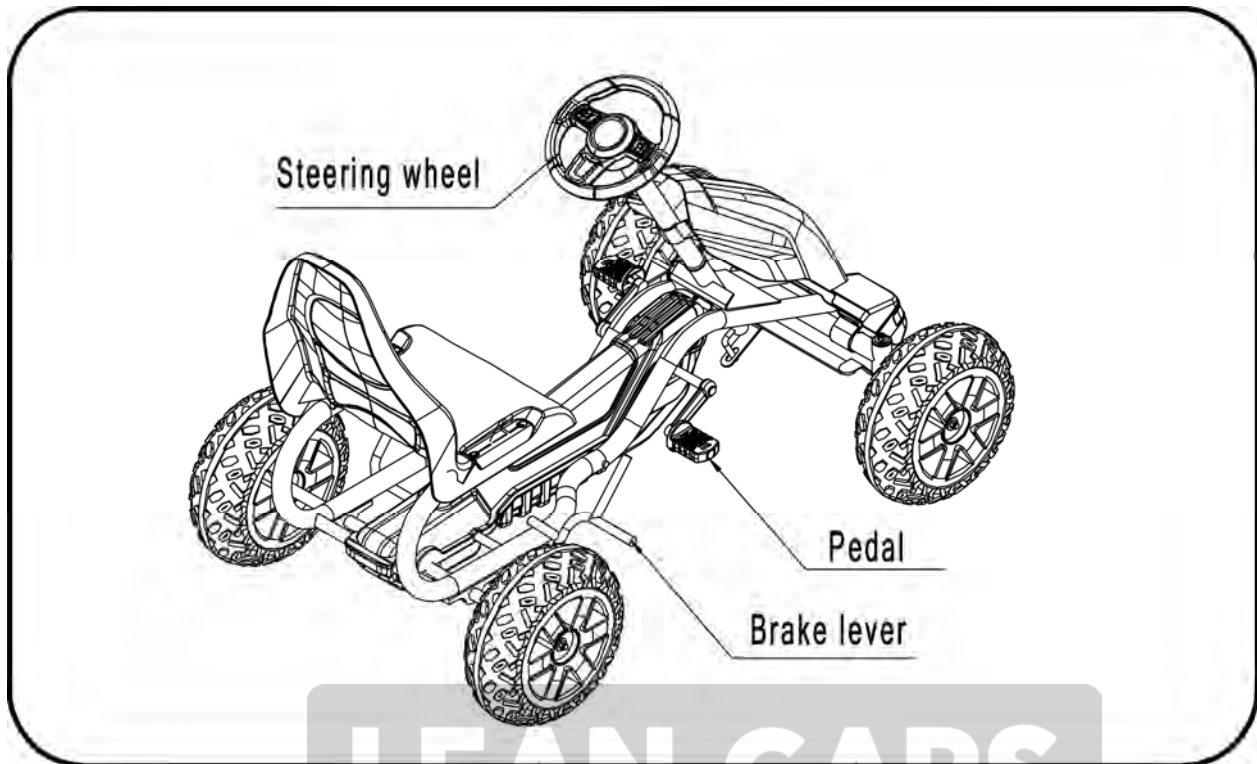
After assembling any wheel to the axles, please check the gap between the screw thread and the collapsible (refer to below picture), if the gap is too big, please add two or three washers inside the wheel, But after tightening the nut outside the wheel, please turn the wheel by your finger to check if the wheel can run smoothly, this is very important, because if the wheel can run smoothly, it is ok, but if the nut press the wheel and the wheel can't run smoothly, the motor will be broken easily! Then you need to decrease one or two washers to make sure the wheel can run smoothly!

LEAN CARS

WWW.LEANTOYS.PL

How To Operate Your Vehicle

Use Operation(Ensure the power switch has been turned on)



(1) Sit on the seat, foot on the pedal, then the vehicle move forward.

Using the steering wheel to control direction.

Maintaining Your Vehicle

- It is parents' responsibility to check main parts of the toy before using, Must regularly examine for potential hazard, such as screws are fastening enclosure of other parts and that in the event of such damage, the toy must not be until that damage had been properly removed.
- Make sure the plastic parts of the vehicle are not cracked or broken.
- Occasionally use a lightweight oil to lubricate moving parts such as wheels.
- Park the vehicle indoors or cover it with a tarp to protect it from wet weather.
- Keep the vehicle away from sources of heat, such as stoves and heaters. Plastic parts may melt.
- Do not wash the vehicle with a hose. Do not wash the vehicle with soap and water.
- Clean the vehicle with a soft, dry cloth. To restore shine to plastic parts, use a non-wax furniture polish. Do not use car wax. Do not use abrasive cleaners.
- Do not drive the vehicle in loose dirt, sand or fine gravel which could damage moving parts.



WWW.LEANTOYS.PL