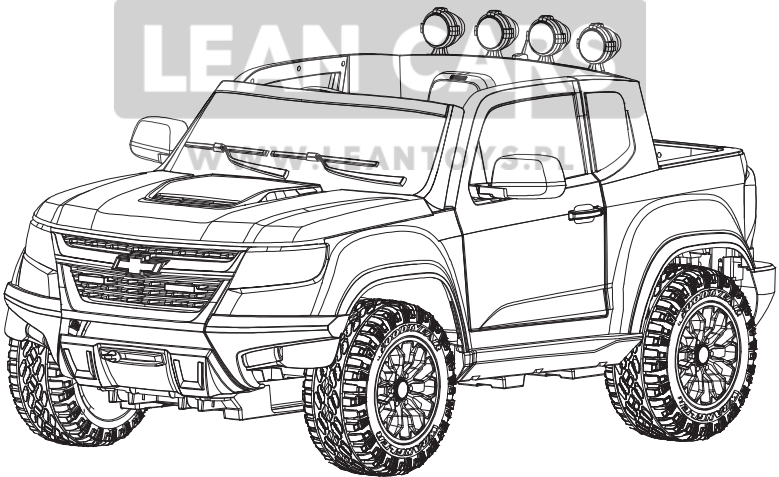


User Manual

Please read the instructions carefully before use

Performance Standard: GB6675-2014



Catalogue
 Instructions before Use
 Specification
 Safety and Points for Attention
 List of Critical Components
 Exploded View
 Assembly Order Diagram
 The Function Diagram and Operation Method
 Charge Mode
 Simple Screen and Maintenance of Fault

Instructions before Use:

Dear customers, please read this manual carefully before you use the products. Because it can tell you the correct method of installation and operating procedures to avoid damaging the products or hurting your children caused by incorrect operating procedures and without understanding safety knowledge. Please keep this instruction for future use and place it in easily accessible place.



WWW.LEANTOYS.PL

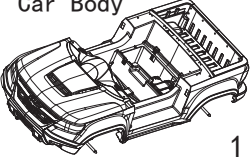


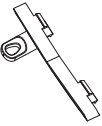
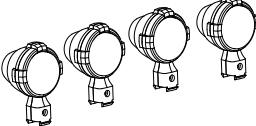


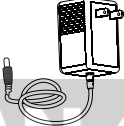
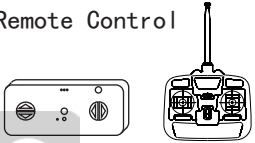
Specification:

The external size of vehicle	133x85x87cm	The battery model	12V7AH (12V10AH)
Applicable age	3-8 years old	power supply modes	Charge Type
The limit load	40kg	the specifications for battery charger	12V800MA 12V1000MA
running speed	2-6Km/hr	Normal charging time	8-12 hours
Fuse Size	15A(18A)	Regular life of battery	About 280 times

Safety and Points for Attention:

1. In order to prevent accidents, please tell the following safety rules to your children and their playmates, and make sure they have understood.
2. The vehicle assembly should be completed by an adult according to the steps the manual describes, and confirm assembly correct and in place.
3. In order to ensure the children's safety, after opening packaging, please clean up the packaging promptly to store in the place where children cannot reach!
4. In order to avoid injury of small parts, keep the small parts away from children under 3 years old!
5. When driving bassinet, it must be looked after or guided by an adult or parents, and caregivers shouldn't leave and make sure your children are always within your caring range.
6. The vehicle isn't vehicle, but the bassinet. So it is banned running on roads or other roads for vehicles traveling and the place for pedestrians walking.
7. Avoid children traveling in a dark environment. Prohibit running around the place where there are obstructions, which may cause striking or damage;
8. While driving a vehicle, you must wear a safety helmet, put on shoes and fasten the seat belt.
9. Note that the vehicle is suitable for running on hard and flat road. In order to ensure safety, prohibit traveling in the non-secure environment, such as beside gutter, small rivers, swimming pool, lawns, slopes, uneven roads and other non-secure places.
10. It is strictly prohibited insolation in the blazing sun, and don't use the product outdoors in rainy and snowy weather.
11. When shift, make sure the vehicle has been completely stopped.
12. Use this product according to the specifications of the dead weight capacity and the age range. It is strictly prohibited to use for overloading and overage!
13. Don't change the structure of the vehicle and wiring systems arbitrarily.
14. Don't use the vehicle fuse with different specifications.
15. Eliminate direct short circuit of circuit, and prevent the danger of fire and burning.
16. Check whether the wiring plug of the vehicle is loose, aging and falling and whether the wires, electrical appliance, shell, steering systems, fasteners, etc. are normal(completed by an adult) regularly (recommend check once every two weeks).
17. Don't wash the vehicle with water directly or rain the vehicle, and prevent water from damaging the electrical appliance and circuit.
18. The battery and charger of the vehicle are not individual toys, and ban children from playing the battery and charger.
19. In order to avoid accidents, ensure that the vehicle is safe before driving.
20. Please don't let any children approach the moving vehicles. Don't let the children touch the rotating wheels.
21. Don't use the batteries by mixing old batteries with new batteries. After dry battery is exhausted, the battery should be removed from battery holders timely, and pay attention to protect the environment and don't throw it away.
22. When the improper operations of overload or locked-rotor or short circuit, etc. self-resetting fuse will cut off the power for 10-20 seconds automatically, and then connect the power automatically; when meeting improper operations, glass tube fuse will blow the fuse automatically, and after asking professional maintenance personnel to repair, replace the fuse. The vehicle uses the 10A -15A fuse.
23. Default of sealed lead-acid battery is used the different types of batteries or batteru can not mix between the old and the new. Charge must by adult operation, must use match the specifications of the charger.(Attention: Charge is not toys, prohibit children play with the charger directly.)
24. Special Tips: after the round plug by battery charger outputting voltage into the charging hole on the vehicle, the vehicle will cut off the power automatically. The vehicle doesn't work, you must wait for unplugging round plug on the charger off the charging hole, and then the vehicle power supply will return to normal.
25. The package components of the vehicle have important information. Please do not throw them away and save them for future use.

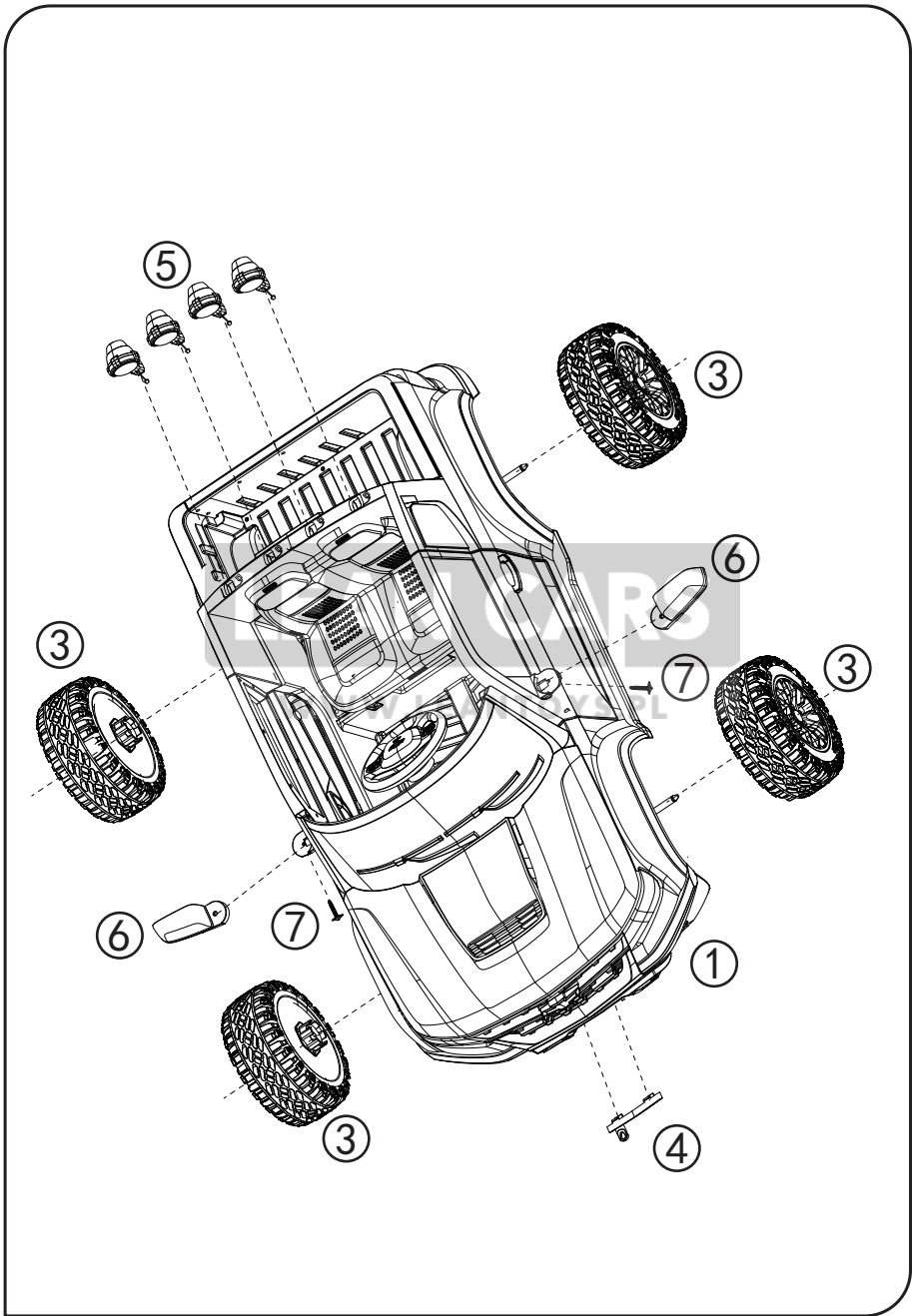
Parts List

<p>Car Body</p>  <p>1</p>	<p>Two Motors Front Wheel x2</p>  <p>2</p>	<p>Four Motors Rear Wheel x4 Two Motors Rear Wheel x2</p>  <p>3</p>
<p>Tow Hook</p>  <p>4</p>	<p>Tail Lights</p>  <p>5</p>	<p>Mirror</p>  <p>6</p>
<p>4mm Belt Pad Self-tapping Screws</p>  <p>7</p>	<p>Charger</p>  <p>8</p>	<p>Remote Control</p>  <p>2.4G 27M 9</p>

LEAN CARS

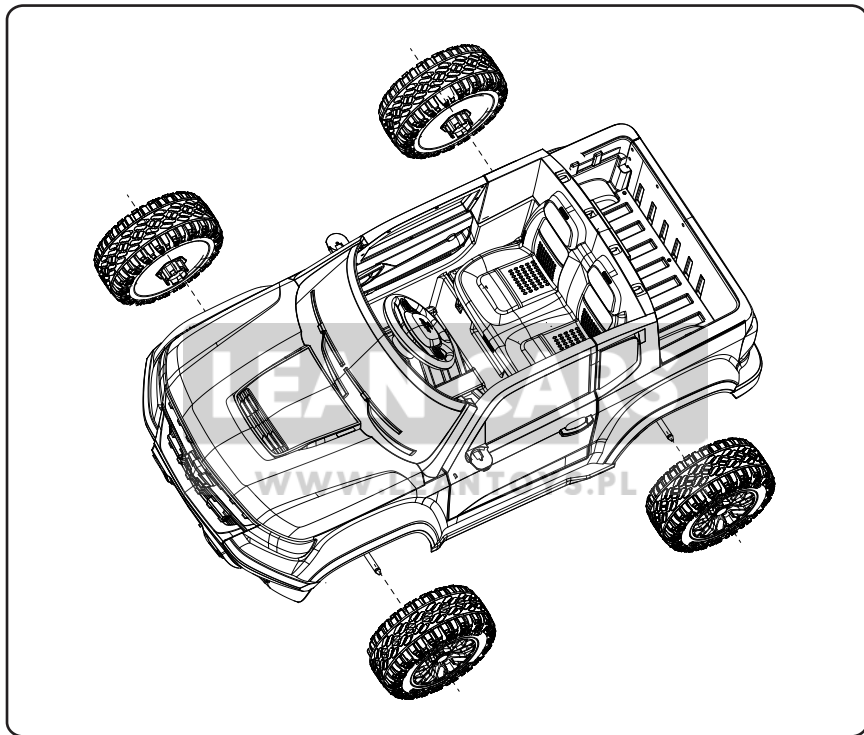
WWW.LEANTOYS.PL

Exploded View



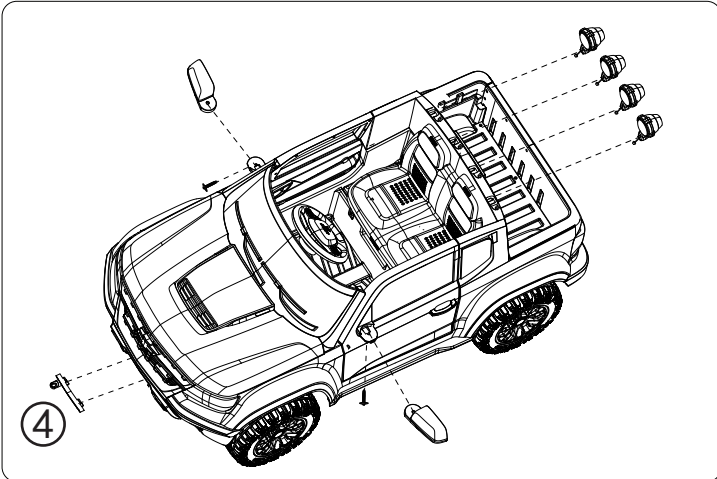
Assembly Process Diagram

- Before using, the vehicle must be assembled by an adult. It takes about 10 minutes to assemble the product.
- Small parts are likely to be swallowed into throat, and prohibit children from touching and playing!
- Before installation, please check the number of all parts, and packaging bags of product should be disposed. Prohibit children from playing with it, which may result in the danger of suffocation!

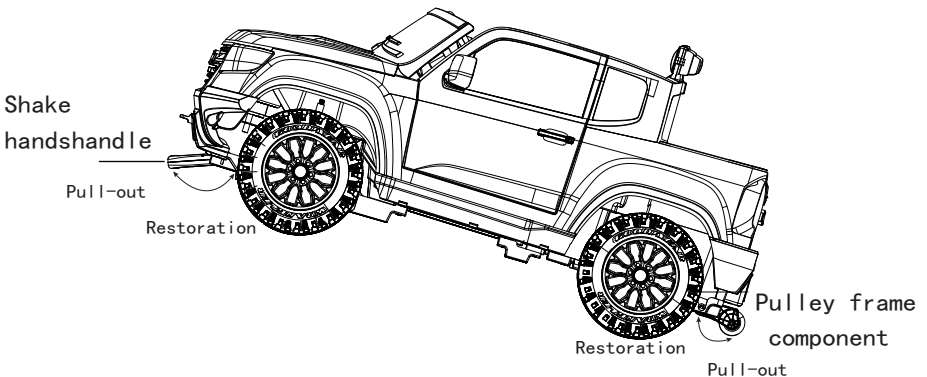


1. As shown first connect the power plug with fence, then insert the lamp fence fence upper part of the hole in the direction shown;

Assembly Process Diagram

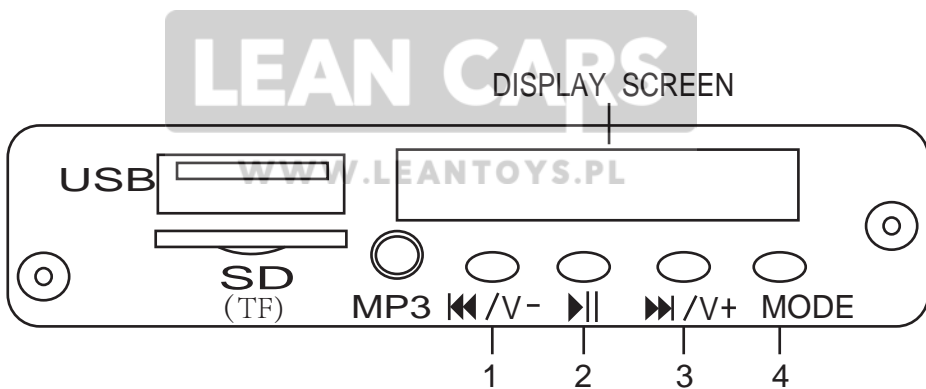
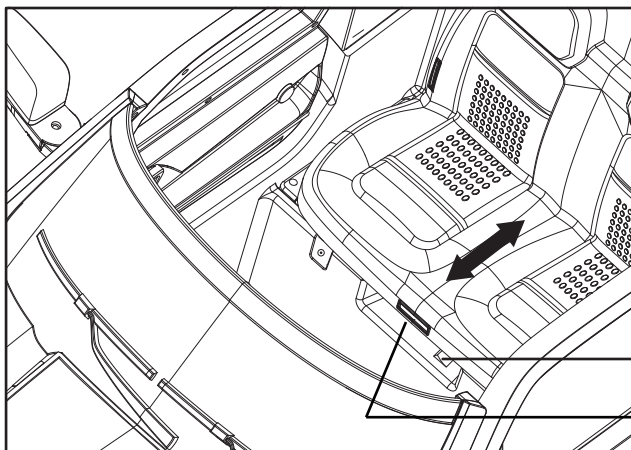


2. As shown first connect the power plug with fence, then insert the lamp fence fence upper part of the hole in the direction shown;
3. As shown the mirror were inserted into the mirror in front of the hole on the left and right doors, each with a 4mm tape pad self-tapping screws and tighten up separately from the bottom of the hole mirror self-tapping screws, the mirror is fully installed to the door (Note: one on the left and another one is on right);
4. Tow hook assembly in the direction to Front bumper frame snap groove.
5. At last remove the seat cushion of the four screws, connect the battery red cable, then by four self-tapping screws to install the cushion.



Function Diagram and Operation Method

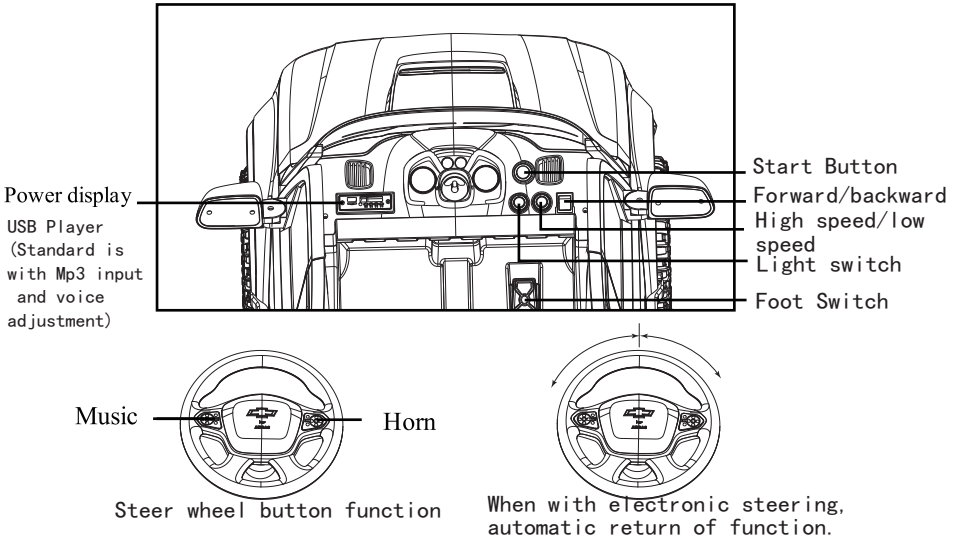
(The product is prohibited for children less than 36 months)



Music Player Function

- Button 1: Voice reduce and cut for next song, press 1 second is cut for next song. Long press about 3 seconds is reduce the music voice.
- Button 2: Pause button, click is suspend play music, when press the return to play mode again.
- Button 3: Voice increase and cut for last song, press 1 second is cut for last song. Long press about 3 seconds is increase the music voice.
- Button 4: Pattern, on the USB plug have U disk, SD card is inserted in the inside, Mp3 also insert, click on this button will turn to the next. Whether the USB or SD or MP3, finally play music after insert is preferred to read card.

Main Function:

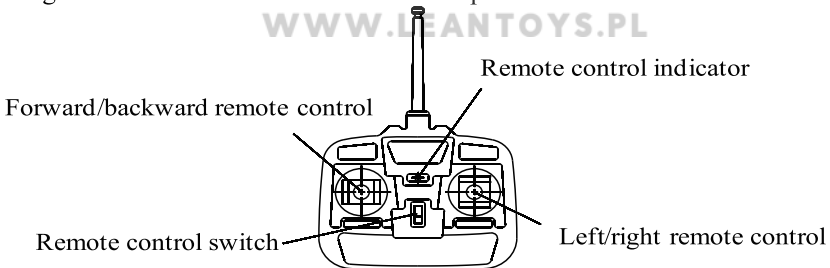


Remark:

- The vehicle can be configured simple drag
- The vehicle can be equipped with swing function
- The vehicle can be equipped with light-emitting function wheel

Using 27M Remote Control Function Description

WWW.DEANTOYS.PL

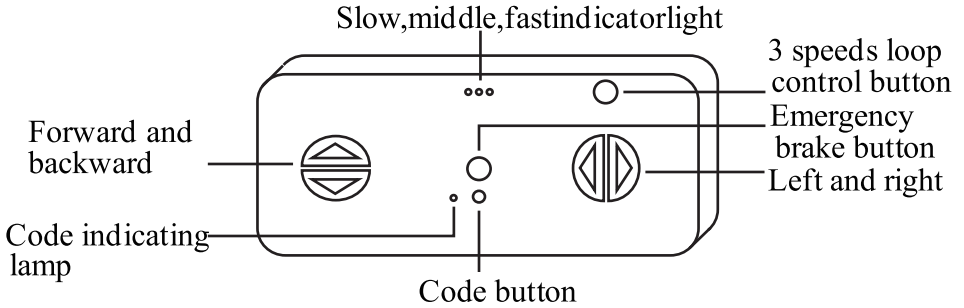


The installation of remote antenna: screw the remote antenna in the remote control clockwise.

Operation Methods:

- This vehicle has manual and remote control switch to convert: convert switch is in the position of "Remote", which is confined to remote driving;
Dial the position of "manual", which is limited to driving by foot.
- Put the remote control switch on the position of ON (and make sure the vehicle is switched on), the remote indicator is light, pull out the remote antenna, you can operate remotely.
 - push the remote control forward / reverse gears forward, and then the vehicle will move forward;
 - push The remote control forward / reverse gears back, and then the vehicle will move backward;
- When you do not operate the remote control, the car will stop moving.
- Push the remote control left / right gears left, and then the vehicle will turn left;
Push the remote control left / right gears right, and then the vehicle will turn right;
- Operate the vehicle with left and right gears of the remote control together, and it can make playing more interesting.

Using 2.4G Remote Control Function Description



Remote control instructions

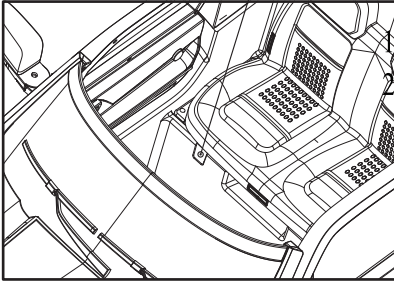
- 1, First use or change the battery, need to code:
 - a. Link to the power of the battery then turn on the car,
 - b. Open the remote control and fit with dry cell.
 - c. Long press code button about 5-7 seconds, when the indicator light flicker to not bright, here is ok.
- 2, Using
 - a. Chose speed: one light bright is slow, two is middle, three is fast,
 - b. Remote and manual operate press emergency brake button, both will worked.
 - c. When you not use remote control 15 seconds, it will turn off.

Charge Mode

- Do not reverse the battery.
- Please check the battery charger before charging, whether battery and plugs are damaged. If any damage is found, you should stop using until the repair is done and then you can use.
- it is normal that the battery charger is with thermal phenomenon during charging, but when the temperature is too high, you should check timely whether the charge current is too large or there is internal short circuit in the battery.
- Use press plate to fix the battery charger. If the car is overturned, the battery is likely to fall and hurt children.
- If the product is collected or kept for a long time without using, you must first charge it fully and recharge it once a month to ensure the battery life.
- The charger and battery are not toys, and it doesn't allow children to play.

- When charging, you must turn off the power switch.
- for the first use, the recommended charging time is 4-6 hours, but not more than 10 hours.
- When the vehicle is significantly slower than normal speed, it indicates that the battery power is low, please charge timely
- After using, please charge for 8-12 hours, but not more than 20 hours.

Charging hole



Plug the charger into the electric outlet;
Insert a port of the charger into the charging hole below the seat cushion.

Simple Trouble shooting

(1) The vehicle cannot run:

1. Check whether the power plug is plugged in securely;
2. Whether the fuse cuts off the power automatically caused by overloading or locked-rotor or short circuit, and identify the reason or replace the fuse.
3. Whether the round plug by charger output voltage is plugged into the charging hole of the car, if you insert it into the charging hole, the power of vehicle will cut off the power automatically. Pull out the rear, it will return to normal.
4. Whether the manual button or switch is stuck;
5. Whether the driven wheels are stuck by debris;

(2) The slow speed of car:

1. Whether the battery power is low or it needs charging timely;
2. Whether the vehicle is overloaded;
3. Whether the charger is damaged, causing the battery not to be charged with electricity;
4. Whether there is debris stuck between the wheels and the wheel axle;

(3) The car cannot be charged:

1. Whether the charger is burned? Normally, the charger should be with thermal phenomena when charging;
2. Whether the battery has been damaged, with deformation, leakage and other phenomena, it should be replaced timely;
3. Whether the connections between charger and battery and switch plug are loose? They must be connected firmly.

Problem: Travel time of vehicle is very short.

Cause of the problem: the battery is not charged enough

Charging time of battery is not enough. Please charge timely after using, and charge it at least once a month. The recommended charging time is 8-12 hours, not exceeding 20 hours.

Cause of the problem: the battery is aging

Battery is vulnerable consumable, and its useful life depends on the timely or correct charging and maintenance operations. So the useful life of battery is 1-3 years, if it exceeds the useful life, propose to replace with new battery.

Problem: there is thermal phenomenon on the charger when charging.

It is normal phenomenon. But if the temperature is too high, you should check whether the charging power supply is too large or there is internal short circuit in the battery.



WWW.LEANTOYS.PL