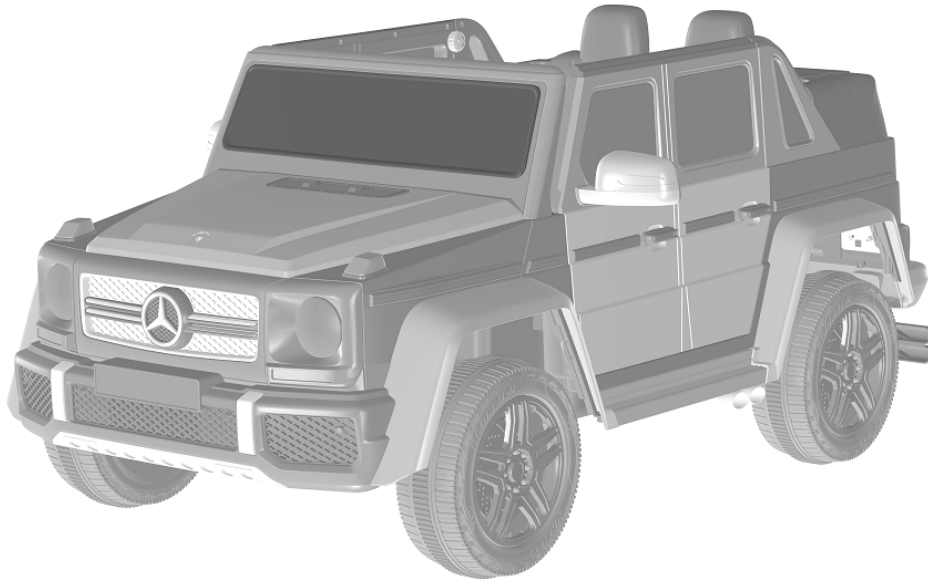


# **Manual Instruction A100**

**Mercedes-Maybach G650  
Landulet Official Licensed  
Product**

**LEAN CARS**

[WWW.LEANTOYS.PL](http://WWW.LEANTOYS.PL)



### Special Note:

Picture is for reference only. Please refer to real object.



- ◆ Please read the manual carefully before assembling;
- ◆ Preserve the manual properly for future reference;
- ◆ The manual is for assembling and using reference only. Details will be possibly improved and updated, including structure, appearance, packing, functions, and etc. Please refer to the real object as standard if there is something different from the manual.

## 1. Before Assembling

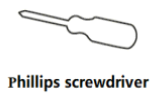
### Warning!

Choking Hazard: Small parts, Not for kids under 3 years. Dispose plastic bags carefully.  
It's dangerous to kids. Adult assembly required. Use care when unpacking as components to be assembled may pose small parts/sharp edge hazard.  
Check if the charger is in good state, including the wire, socket, and all details. Stop use it if it looks broken in some way, till it's fixed.

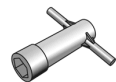
Tools required (self-provided) :

## 2. Specifications:

Motor: 12V/540 \* 2  
Battery: 12V4.5ah \* 1/ 12V7ah  
Charger: 12V500mA/12V1000mA  
Max Speed: 5-7 km/h  
Suitable Age: 3 years+  
Maximum Loading Capacity: 30 kg  
Item size: 1100×610×510 MM  
Charging time: 8-12 hours  
Battery life: 300 times charge&discharge



Phillips screwdriver



socket wrench

### 3. Exploded View and Parts List

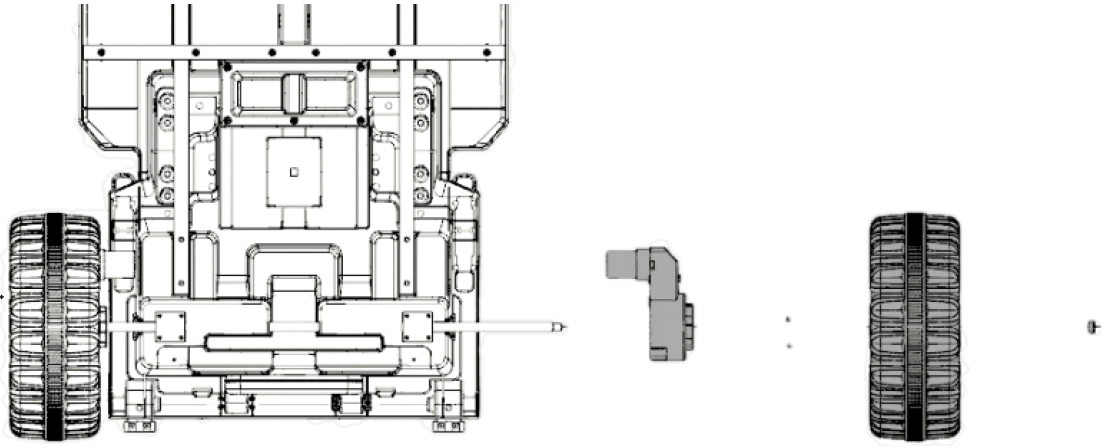
No.	Parts Name	Qty	No.	Part Name	Qty
1	Body	1	9	Seat pad	1
2	Steer Wheel	1	10	Seat back	1
3	Car window(L/R)	2	11	Screw kit	1
4	Rear view mirror	2	12	manual	1
5	windshield	1	13	Rear side windows(L/R)	2
6	Front wheel	2	14	Rear trunk	1
7	Rear wheel(driving)	2	15	Rear bumper	1
8	Wheel cover	4	16	Remote	1
9	Motor(L/R)	2		charger	1

Note: some parts need to be fixed from 2 sides.

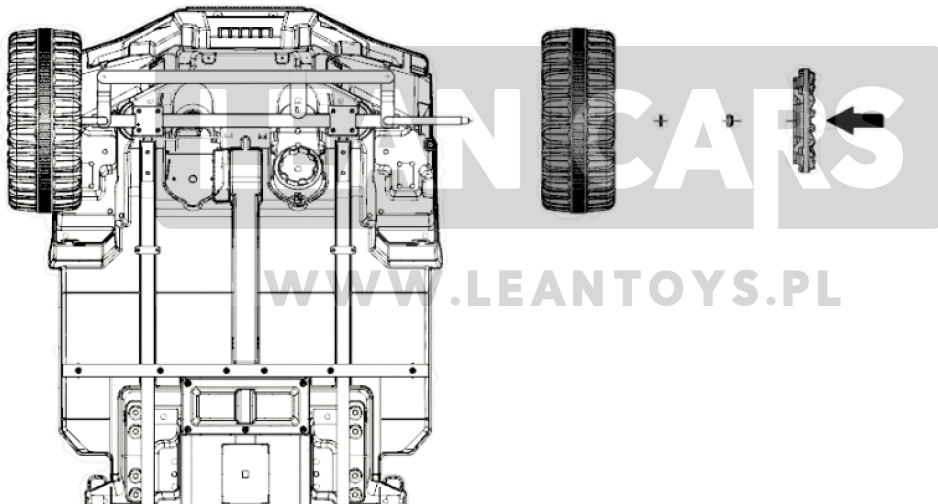
Screw Kit			
	parts	qty	Where to use
A	tapping screw 4x12	8	Car window
B	tapping screw 4x12	2	Seat pad
C	tapping screw 4x12	5	Rear trunk
D	Big head screw 4x12	2	Windshield

WWW.LEANTOYS.PL

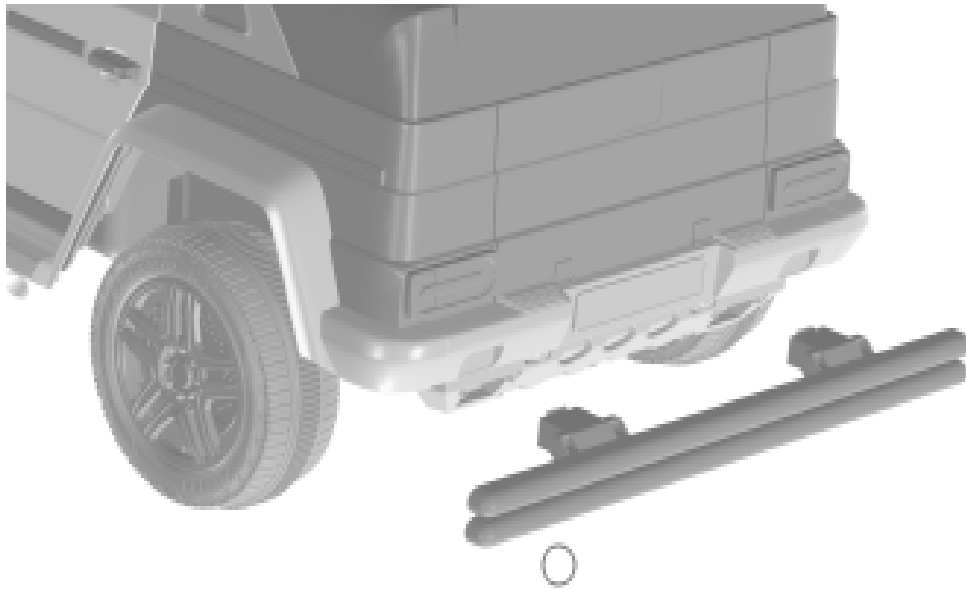
### 4. Wheels Assembling



A. Rear driving wheel: Put the axle through the body, and assemble the motor, wheel by shim and M8 nut, then fix the wheel cover on to right buckle position and press it to lock.  
 (Note: motors need to be distinguished as Left & Right.)



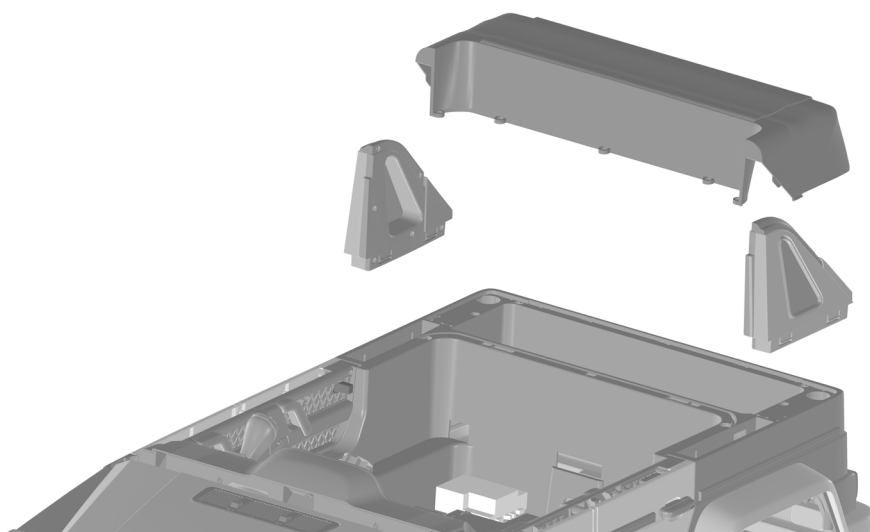
A. Front wheel: assemble the wheels onto the axle, and put shim and M8 nut to fix it. Put the wheel cover on to right buckle position and press it to lock.



A. Refer to the picture, put the rear bumper to the body accordingly, and fix it by 4X12 tapping screws.

**LEAN CARS**

[WWW.LEANTOYS.PL](http://WWW.LEANTOYS.PL)



Put 2 rear side windows to related positions as picture shows, and lock it by buckle(L and R different), and then assemble the rear trunk onto related positions, then fix it by 4X12 tapping screw;

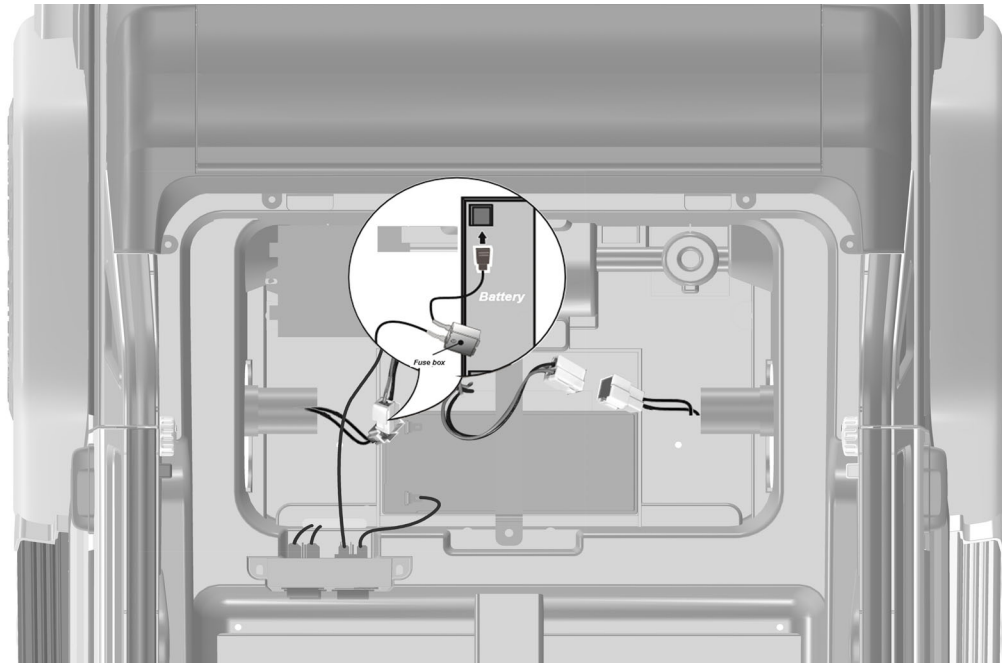
**LEAN CARS**

[WWW.LEANTOYS.PL](http://WWW.LEANTOYS.PL)

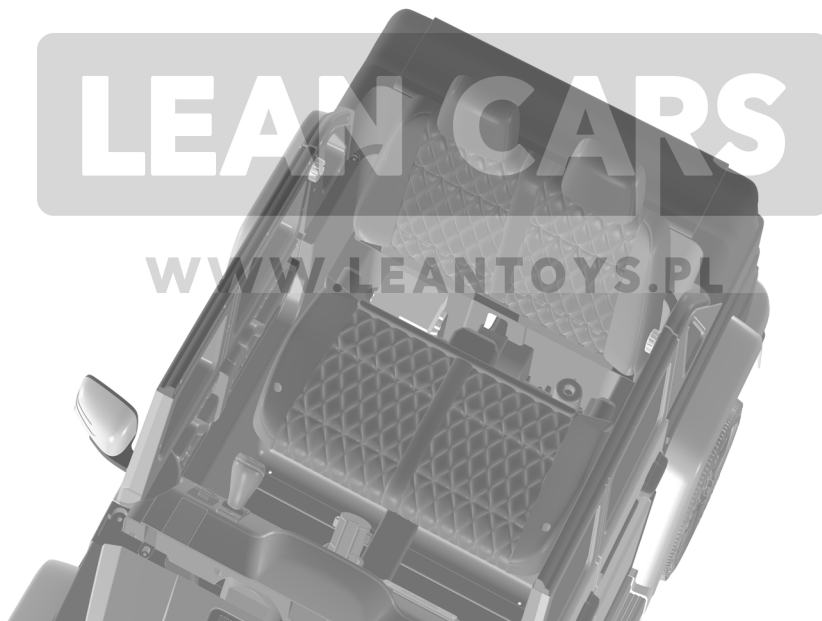
**LEAN CARS**

**WWW.LEANTOYS.PL**





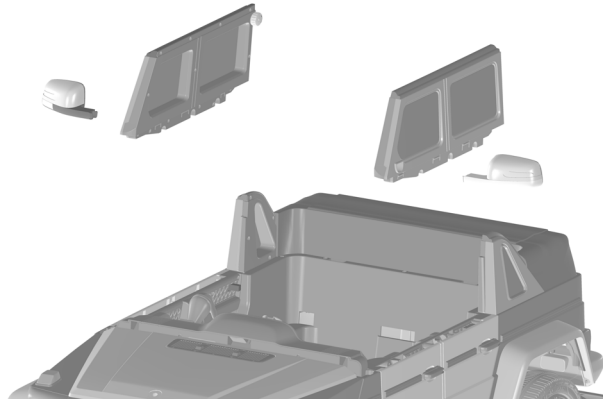
A. Battery is located under the seat pad. Connect the red terminal to the red buckle of the battery.



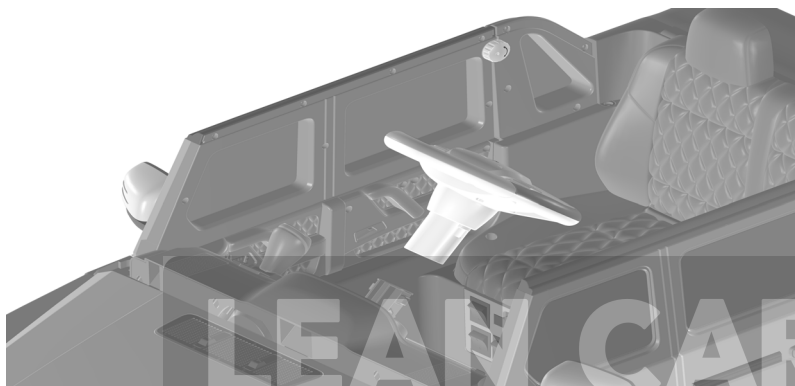
A. Put the seat back onto the car body accordingly, and insert the seat pad into right positions of 3 holes from down side of the seat back. Then fix the seat pad by 4 \* 12 tapping screws.

## 7. Car window, Rear-view Mirror, Steer Wheel and Windshield



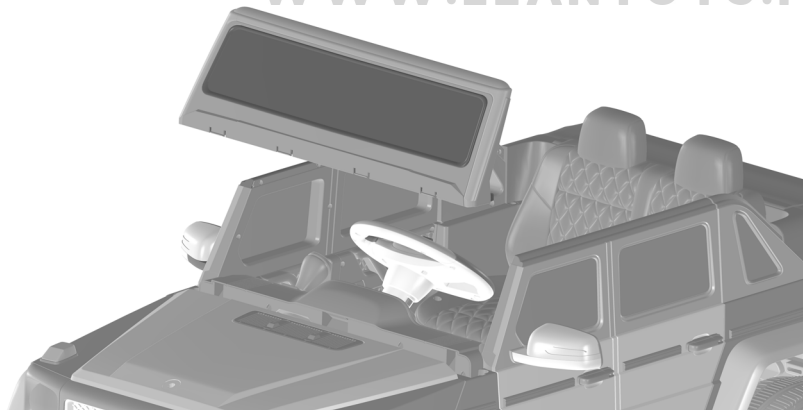


A. Refer to the picture shows, insert the car window into the car door accordingly, and fix them by 4 \* 12 tapping screws(L & R different). Then put the rear view mirrors(L & R different) onto right position of the door and lock it by buckling themselves.



A. Connect the wire terminals and put the steer wheel onto right position and lock it itself.

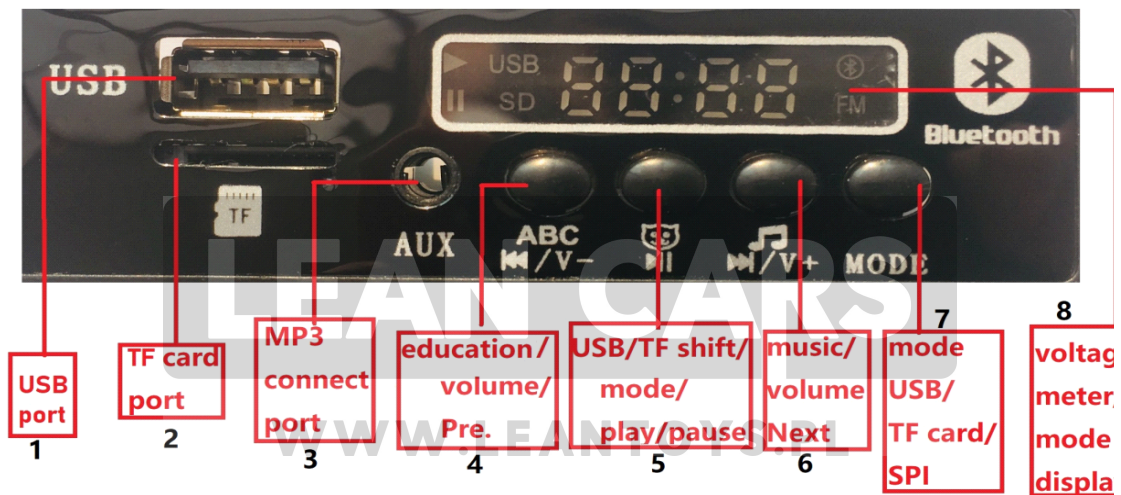
[WWW.LEANTOYS.PL](http://WWW.LEANTOYS.PL)



Put the windshield onto the right position and press it into the slot, and then fix it by 4 \* 12 tapping screws.

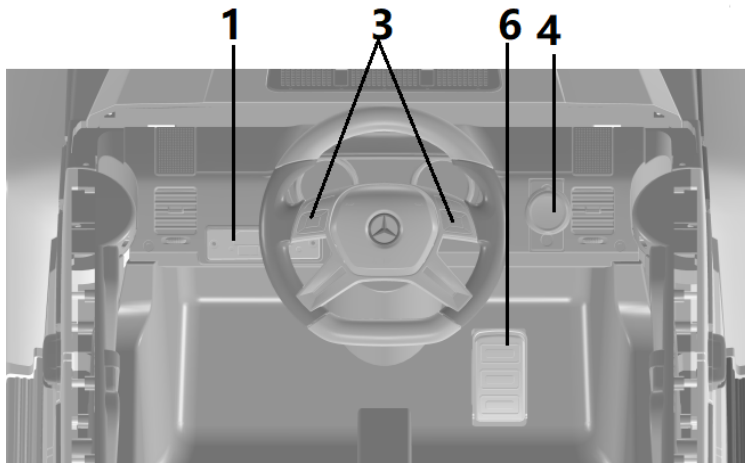
## 8. Functions Sketch

- Multifunctional control board;
  - Power switch;
  - Music button;
- 
- Forward/reverse switch;
- 
- Charging socket;
- 
- Pedal accelerator switch: pedal to move, release it to stop the car gradually.



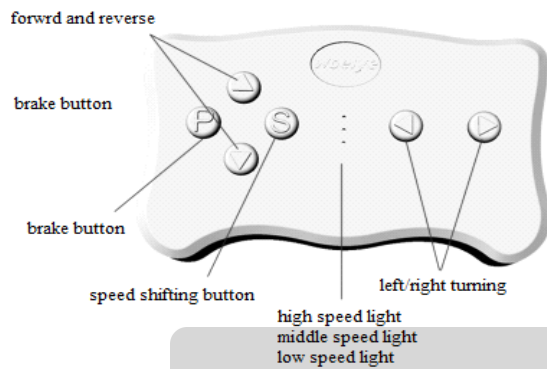
1. USB port: play music files in USB device.
2. TF card port: play music files in TF card device.
3. AUX port: to connect MP3 device or mobile to play related files.
4. Education files play button & Pre. file shift(short press)/volume turning down(long press)
5. Stories play button / play or pause button in USB/TF card mode
6. Music play button & Next. file shift(short press)/volume turning up(long press)
7. Mode button: shift mode from blue-tooth to USB mode.
8. Voltage meter display & mode display

**Put a USB device or TF card to play, other playing files will be stopped.**



**Note:** Use screwdriver to get screws off and open battery box, install 2 pc AAA 1.5V battery in, and fix it with screws.

## 9. Functions of Remote:



**LEAN CARS**

[WWW.LEANTOYS.PL](http://WWW.LEANTOYS.PL)

## **Warning!**

**Remote is for adult using only. Kids are prohibited to use remote.**

**The car is with remote priority function: while it is controlled by remote, the step switch does not work; Disconnect the remote , the step switch works then.**

**Remote:** Open the battery holder and put in 2 pcs AAA LRO3 batteries. If the batteries are well fixed, there are frequency light and speed light will be on. Pls be noted that we supply no battery for the remote.

1) . Frequency connection: Press frequency button 2-4 seconds. Power on the car while low speed light flickers. It connects automatically when you see the low speed light keep on. If the light still flickers, take out the battery and restart it again as above steps.

1) . Braking Button: press the braking button, the car stops. Press it again, braking function is relieved.

1) . Speed button: Press S button to change speed. Press 1 time means speed changing 1 time. 3 lights on the remote means 3 speeds, upper light means high speed, middle light means middle, and the down button is for low speed Notes: Speed shift for forward only.

1) Forward/reverse button: It's to control the car to move forward and reverse. Press 1 button, the car will move as ordered, and the speed will get higher gradually to set speed to avoid sudden shock from speed-up.

1) Turning right/left button: It's for remote the car to turn to right or left.

### **Special note:**

The remote has energy-saving function. 10 seconds set-aside will make it power off itself, and all lights will be off. Press any button then will make it wake up back to work.

## 10. Warnings & Safety Alert:

### Warning!

- Choking Hazard: Small parts, Not for kids under 3 years.
- Dispose plastic bags carefully. It's dangerous to kids.
- Adult assembly required. Use care when unpacking as components to be assembled may pose small parts/sharp edge hazard.
- Check if the charger is in good state, including the wire, socket, and all details. Stop use it if it looks broken in some way, till it's fixed.

# LEAN CARS

### Don't drive in below areas:

1. Glass, by the river, not flat road, and slope area;
2. Public road and other vehicles and walking people areas;
3. Where it's possible to hit or hit the other things;
4. Other not safe areas.
5. Don't drive in dark evening and night.
6. Don't drive in rain or snow. Don't drive if age or weight is not proper.



## 11. Special Notes before Charging:

Charging must be done by adult. Children are prohibited to touch charger and battery.

## Warning!

- Only appointed battery and charger brand are allowed to use to the car.
  - Don't use the car's battery or charger to other products.
  - Don't change the structure or cable lines.
  - Don't connect the positive pole and negative pole by tools.
  - Always keep the battery dry.
  - Keep the battery away from fire or smoking, especially while charging.
  - Charge the car in dry and well-ventilated places.
  - Don't open the battery & charger.
  - Don't put the battery upside down.
  - Don't charge if something wrong with the charger.
  - Battery heats while charging but stop and check it if its too hot.
  - Always keep the battery fastened well.
  - Keep it fully charge if not using, and 1 time per month.
  - Charger and battery are not toys.Keep them away from Children.
- Switch of the car while charging.
  - Charge the car for 4-6 hours before 1<sup>st</sup> time using but no more than 10 hours
  - Charge the car on time if the speed gets lower after using.
  - Charge the car 8-12 hours every time after using but no more than 20 hours.

**LEAN CARS**

[WWW.LEANTOYS.PL](http://WWW.LEANTOYS.PL)

### 15. Special WARNING for battery:

#### 12. Warning on battery & charging !

- Don't change the structure and electric cables. Repairing must be by professional staff.
- Don't use it in other functions.
- Connect the battery in right order.
- Don't connect battery in short circuit.
- No charging battery cant be charged.
- Charging must be arranged by Adult, or by their guidance.
- Don't mixed different types of battery in one car.
- Get rid of used battery properly. Its not a toy.



- Connect the charger to the the socket directly.
- Put the charge plug into right socket of alternating currant power.  
Charging must be done by adult. Please read related notes for charging carefully.

### **13. Fuse Maintenance:**

**Inspect the charger carefully regularly to check if everything is OK.  
If there is somewhere with any problem, stop using is till repaired.**

**Fuse:** The car is with self reset fuse. When its over loaded or used improperly,the

fuse will power off  
the car for 15-20 seconds, and then to reset it. It's installed under the seat.

#### **To avoid related troubles from the fuse**

- 1) Don't load over 30 kg
  - 2) Don't draft anything by the car.
  - 3) Don't spoil wires and electric parts with water or other liquids.
  - 4) Don't change the electric system and structure freely.
- Inspect the charger carefully regularly to check if everything is OK. If there is somewhere with any problem, stop using is till repaired.
  - Lubricate related metal parts by some lubricating oil after period using to avid abrasion and rust.
  - The car should be placed away from fire and avoid long time strong sunshine. Don't turn upside and down and tilt.Place it indoor in wet weather or cover it with tarp.
  - The car should be kept away from hot objects such as oven or heater and etc to avoid hurting the plastic parts. Keep the car away from the easy inflammable items to avid fir.
  - To maintain the battery, charge it every time after using; Charging must be fixed by adult; Always keep it fully charged before long time keep, and charge it 1 time a month is necessary for keeping.
  - Clean the car with dry textile. Don't use chemical liquids to clean. Don't use soap and water to clean. Don't drive the car in raining or snowing weather, which will hurt the motor, battery, and cables.
  - Power of the car if keep for long time keeping.
  - Use proper fuse accordingly to this car.
  - Don't change the cable lines and structures. Repairing must be arranged by professional staff.

**LEAN CARS**

**WWW.LEANTOYS.PL**

## 14. Trouble Shooting

Troubles	Inspections	Solutions
Motor not rotating	<ol style="list-style-type: none"> <li>1. Check if fuse disconnected?</li> <li>1. Check if pedal switch in poor contact.</li> <li>1. Check if motor terminal welded.</li> <li>1. Check if motor lead wires connected.</li> <li>5. Connect motor &amp; battery, check if OK.</li> </ol>	<p>Yes, restart the car;            No, check the next;            No, repair the contact.            Yes, check the next;            No, connect it.            Yes, check the next;            No, connect it.            Yes, check the next;            No, change the motor;            yes, control board broken.            Contact with the shop.</p>
Only forward or only reverse	<ol style="list-style-type: none"> <li>1. check if forward/reverse switch well connected.</li> <li>1. Check if all cables are well connected.</li> </ol>	<p>No, change the switch;            Yes, get to the next;            No, connect them;            Yes, control board broken. Contact with the seller.</p>
Over low speed	<ol style="list-style-type: none"> <li>1. check the battery voltage?</li> <li>2. Check if the speed is faster if connect the motor to the battery directly?</li> </ol>	<p>No, charging; yes, get to the next.            Yes, driving control board need to be repaired. Contact with the seller.</p>
No feedback from car to remote	<ol style="list-style-type: none"> <li>1. Check if braking works.</li> <li>2. Check if remote with battery.</li> <li>3. Check if receiving cables well connected.</li> </ol>	<p>Yes, press braking to relief brake;            No, normal.            Yes, connect it ; No, install battery.            Yes, connect all cables again.            No, Normal.</p>
Ineffective charging	<ol style="list-style-type: none"> <li>1. Check if battery cable connected.</li> <li>1. Check if charger get heated while charging.</li> </ol>	<p>Yes, connect them.            No, get to the next.            No, broken charger.            Contact with the seller.</p>
No sound and light.	<ol style="list-style-type: none"> <li>1. Check if sound &amp; light switch well connected?</li> <li>2. Check if all cables well connected from the battery to other parts of the car.</li> </ol>	<p>No, change a new switch;            Yes, check the next.            No, reconnect them.</p>
Wheels no turning	<ol style="list-style-type: none"> <li>1. Check if the driver is over 100 KG.</li> <li>2. Check if road is not flat.</li> <li>3. Check if free wheel turning OK.</li> </ol>	<p>Yes, normal; No, get to next.            Yes, normal, the car moves normal on flat road. No, get to next.            No, the wheels and axles are OK.</p>
The car stops once a while	<ol style="list-style-type: none"> <li>1. check the battery voltage.</li> <li>2. Check if the speed is faster if connect the motor to the battery directly?</li> </ol>	<p>No, charging; yes, get to the next.            Yes, driving control board need to be repaired. Contact with the seller.</p>

# LEAN CARS

WWW.LEANTOYS.PL



## **WARNING:**

**DISPOSAL OF BATTERIES: CONTAINS SEALED LEAD ACID BATTERY.  
BATTERY MUST BE RECYCLED.**

Dispose old batteries at an approved battery dumping station;  
Contact your local environmental protection agency office for additional information.



**WARNING!**

Adult assembly required.

Use care when unpacking as components to be assembled may pose small parts/sharp edge hazard.

Never leave child unattended.

To reduce the risk of injury, adult supervision is required.

The ride on is unsuitable for children under 36 months due to its maximum speed; Maximum user weight is 30kg.

Always sit on the seat.

Always wear shoes, and never allow more than 1 rider.

Protective equipment should be worn.

Never use in roadways, near motor vehicles, on or near steep inclines or steps, swimming pools or other bodies of water.

Direct adult supervision is required. Always keep child in vision when child in vehicles.



**Execution Standard:**

EN71 -1: EN71-1:2014+A1:2018 for mechanical and physical properties;

EN71-2: 2011+A1:2014 flammability test;

EN71-3:2019 on migration of certain elements;

EN62115:2005+A12:2015 on safety of electric toy Excluding clause Excluding Annex E & Annex ZC & Annex;

U.S. ASTM F963-17 For Physical And Mechanical Tests Excluding Section 4.25, 5.15, 6.5, 6.6, 7.2;

U.S. ASTM F963-17 For Flammability Test Of Materials Other Than Textile Materials;

U.S. ASTM F963-17 Section 4.3.5.2(2)(b) For Soluble Elements Content For Non-Surface Coating Materials;

U.S. ASTM F963-17 For Soluble Elements Content In Surface Coating;

U.S. ASTM F963-17 For Total Lead Content.

[WWW.LEANTOYS.PL](http://WWW.LEANTOYS.PL)

Phthalates content requirement in REACH(EC) NO. 1907/2006&Amendment NO. 552/2009

Cadmium content requirement in REACH(EC) NO. 1907/2006

Polycyclic Aromatic Hydrocarbons(PAHs) content in REACH Regulation(EC) No.1907/2006&amendment(EU) No. 1272/2013