

Mercedes-Benz

Licensed Battery-Powered Ride-on

Styles and colo(u)rs may vary



- Suitable age for 3+ Years
- Maximum user weight: 30kg
- Adult assembly required

OWNER'S MANUAL

with Assembly Instructions

Read and understand this entire manual before using!

Please keep this manual for future reference as it contains important information.

Before first time use, charge the battery for at least 8-12 hours.

Specification

Suitable age: 3+ Years

Battery: 6V4.5AH*2 or
12v7AH X1

Charge time: 8~12 hours

Charge: Input: depend on local voltage
Output: **1WD** DC6V700mA

WV **2WD** DC12V700mA .PL

Load capacity: Under 30kg

Size of car: 110*56*48CM

Speed: 3~5 km/h



BATTERY INFORMATION

- Non-rechargeable batteries are not to be recharged.
- If removable rechargeable batteries are used, they are only to be charged under adult supervision.
- Remove rechargeable batteries from the product before charging.
- Do not mix old and new batteries. Do not mix different types of batteries: alkaline, standard (carbon-zinc) or rechargeable (nickel-cadmium).
- Insert batteries as indicated inside the battery compartment, anode to anode, cathode to cathode.
- Remove batteries during long periods of non-use. Always remove exhausted batteries from the product. Battery leakage and corrosion can damage this product. Dispose of batteries safely.
- Never short circuit the battery terminals.

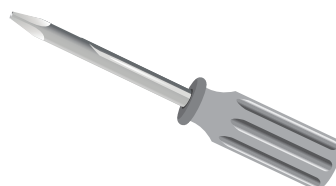
Parts List

B

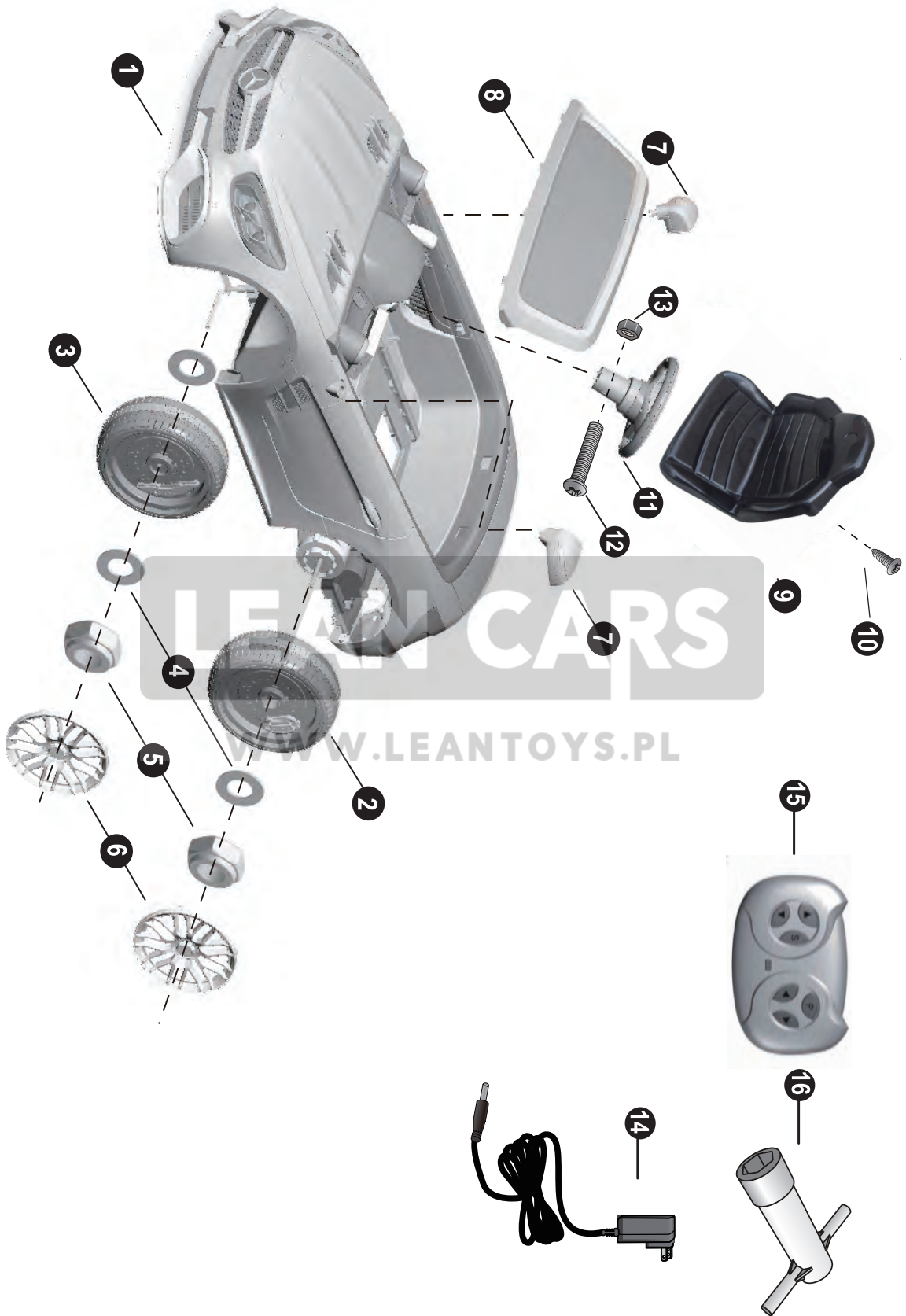
NO.	PART NAME	Q'TY (PCS)		REMARK
		1WD	2WD	
1	Vehicle body	1		
2	Driving wheel	1	2	
3	Normal wheel	3	2	
4	Φ10 washer	7	6	
5	Lock nut	4		
6	Wheel cover	4		
7	View mirror	2		
8	Windshield	1		
9	Seat	1		
10	Φ4x12 screw	2		For attach the adjustable seat
11	Steering wheel	1		
12	M5X45 machine screw	1		
13	Φ5 nut	1		
14	Charger	1		
15	Remote controller	1		
16	Spanner	2		

- Assembly tools required:

Screwdriver
(not included)



NOTE: Some parts shown are assembled on both sides of vehicle





PREVENT INJURIES AND DEATHS:

- **NEVER LEAVE CHILD UNATTENDED. ADULT DIRECT SUPERVISION IS REQUIRED.** Always keep child in view when child is in vehicle.
- This toy should be used with caution since skill is required to avoid falls or collisions causing injury to the user or third parties.
- Protective equipment should be worn.
- Never use in roadways, near cars, on or near steep inclines or steps, swimming pools or other bodies of water.
- Always wear shoes, always sit on the seat.
- Not to be used in traffic.
- This toy is unsuitable for children under 36 months due to its maximum speed; Maximum user weight is 30 kgs.
- This toy has no brake.



WARNING:

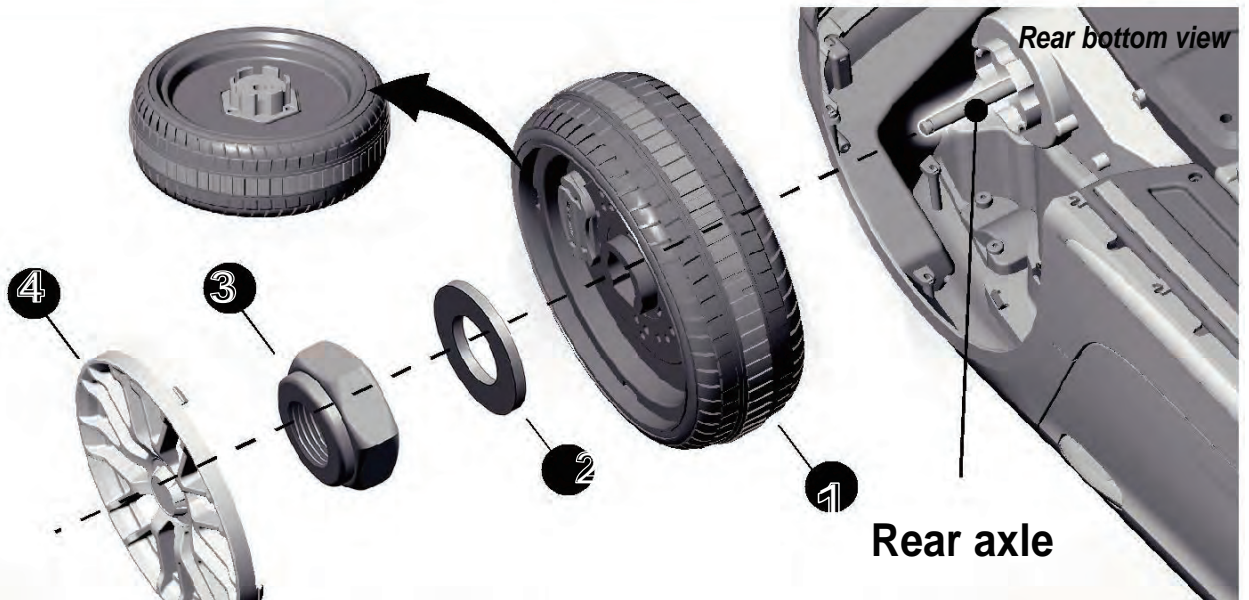
- **CHOKING HAZARD!** Not suitable for children under 37 months.
- **ADULT ASSEMBLY REQUIRED.**

Rules for Safe Riding

- Keep Children within Safe Riding Areas:
 - Never use in roadway, near motor vehicles, on lawn space, on or near steep inclines or steps, swimming pools or other bodies of water;
- Use the toy only on flat surfaces. Such as inside your house, garden or playground.
- Never use in the dark. A child could encounter unexpected obstacles and have an accident. Operate the vehicle only in the daytime or a well-lit area.
- It is prohibited to change the circuit or add other electric parts
- Inspect wires and connections of the vehicle periodically.
- Do not let any child touch the wheels or be near them when the car is moving .
- This vehicle has adjustable play seat belts. Please instruct children how to tie the safety belt before using, guarantee the security.

Attach the Rear Wheels

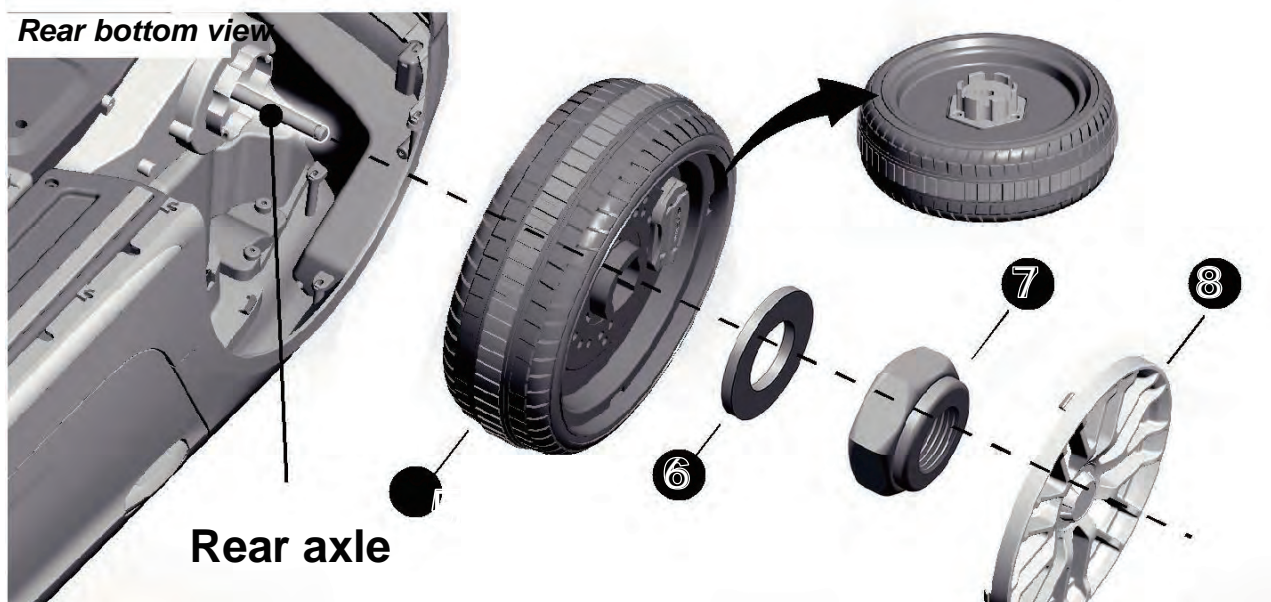
E

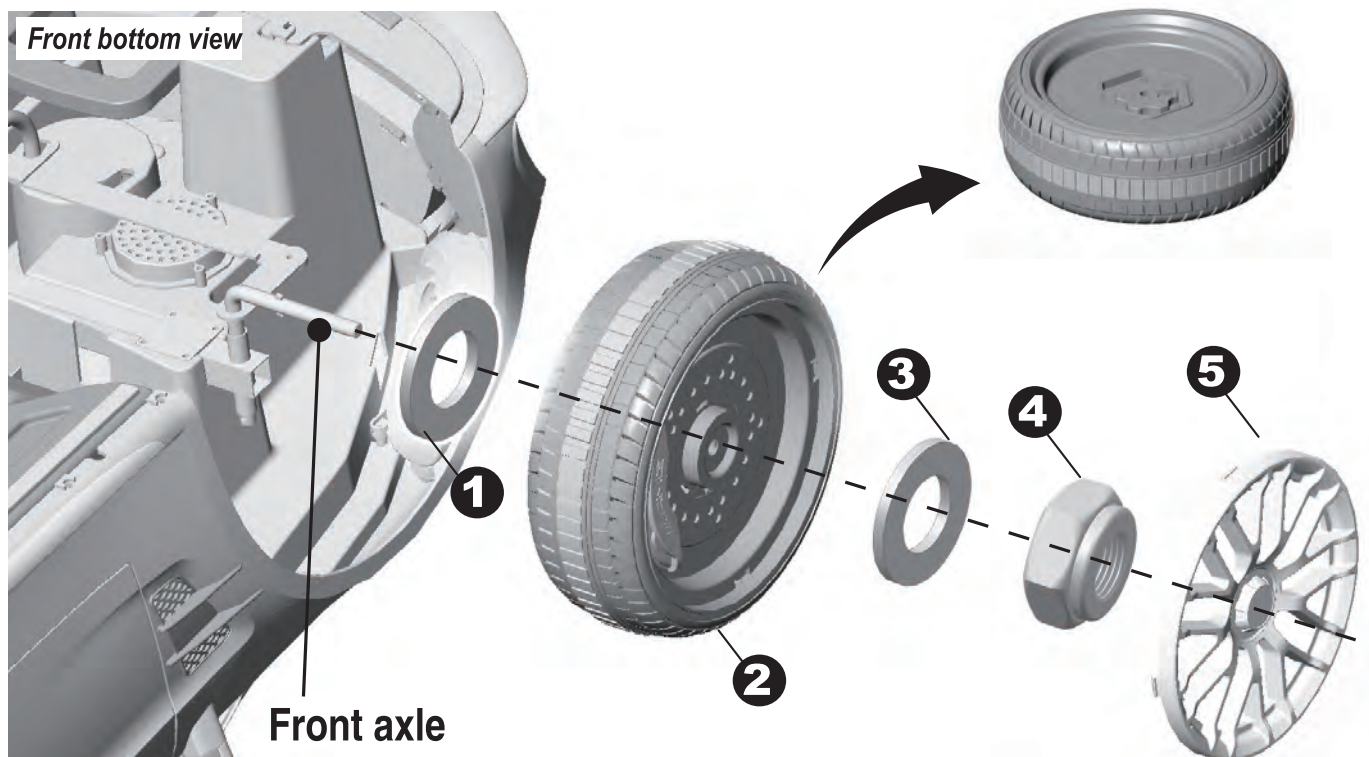


Turn over the vehicle body.

1. Slide the driving wheel onto the rear axle from Left Side. And keep the driving wheel match with the gear box.
2. Slide the $\text{\O}10$ washer onto the rear axle.
3. Tighten a lock nut to the end of the rear axle with a spanner. Repeat for the other driving wheel.
4. Fit the wheel cover to the wheel.

WWW.LEANTOYS.PL



E**Attach the Front Wheels**

1. Slide the Ø10 washer onto the front axle.

2. Slide the Front wheel onto the front axle.

3. Slide the Ø10 washer onto the front axle.

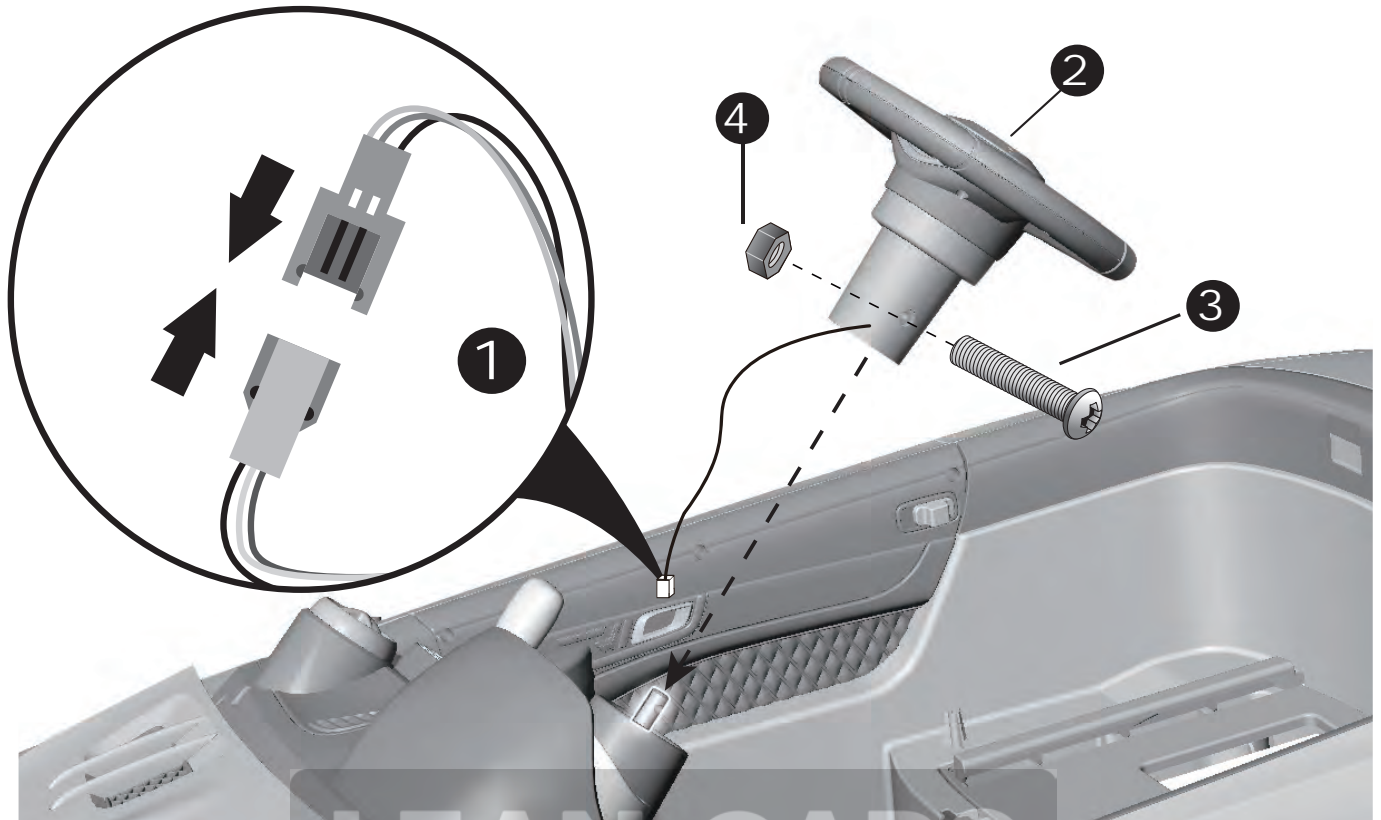
4. Tighten a lock nut to the end of the front axle with a spanner.

5. Fit the wheel cover to the wheel.

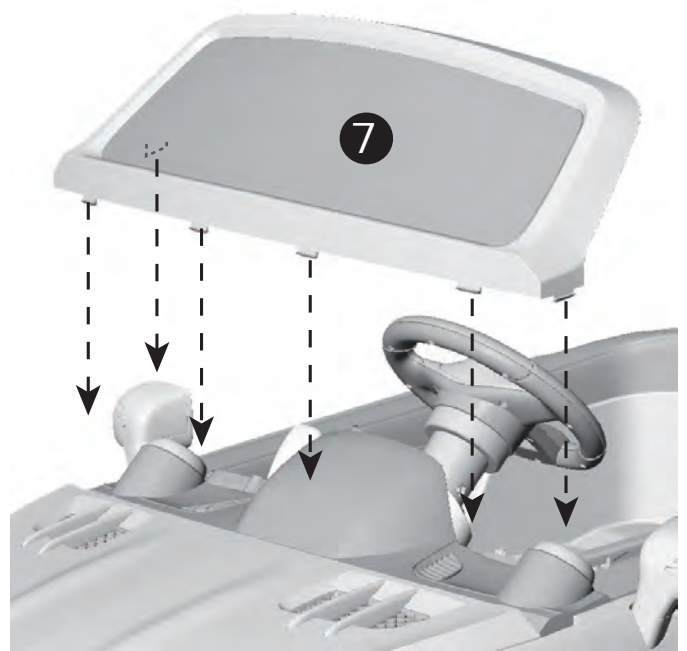
Repeat for the other rear wheel.

Attach the Steering Wheel, Mirrors & Windshield

E



1. Plug the sound unit connector in the steering wheel into the connector in the vehicle body.
2. Fit the steering wheel to the end of the steering column.
3. Line up the holes in the steering wheel with the hole in the steering column, insert the M5x45 machine screw.
4. Fasten a nut on the opposite end of the screw with a screwdriver.
5. Fit the tabs on the mirror into the slots on the side vehicle. Repeat for the other mirror.
6. Fit the tabs on the windshiled into the holes on the vehicle body, and push until you hear it click into place.





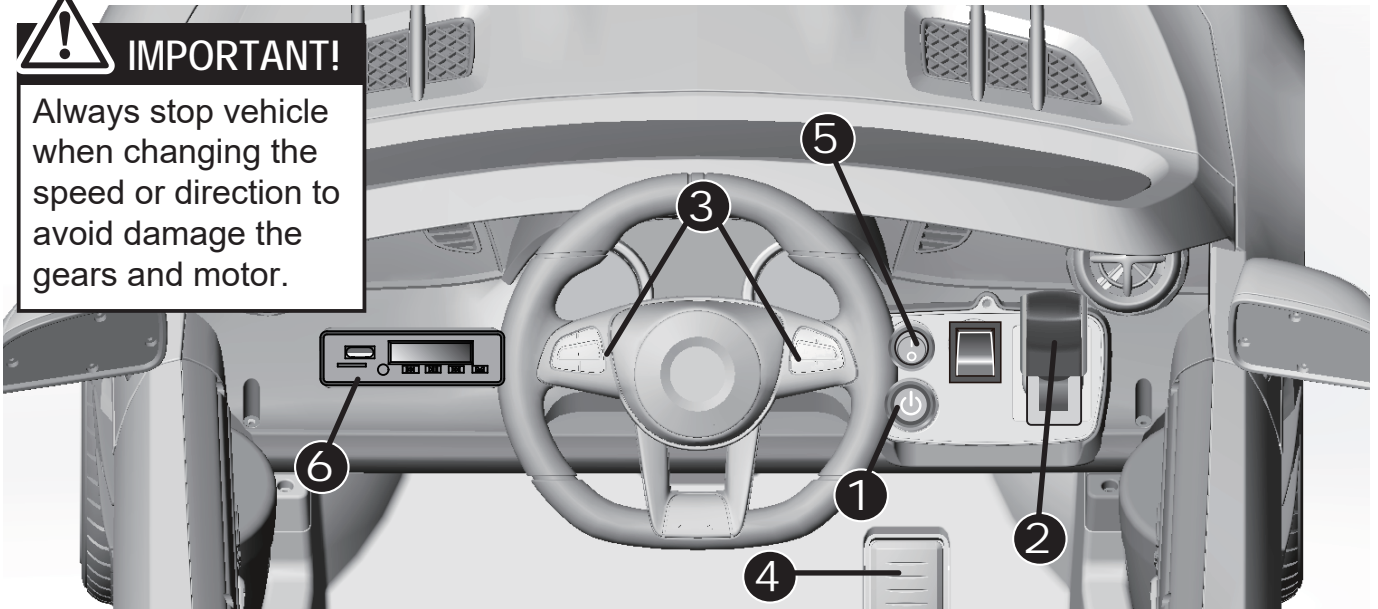
WWW.LEANTOYS.PL

1. Fit the seat to the vehicle body.
2. Tighten two $\text{Ø}4 \times 12$ flat head screws to secure the seat to the vehicle.

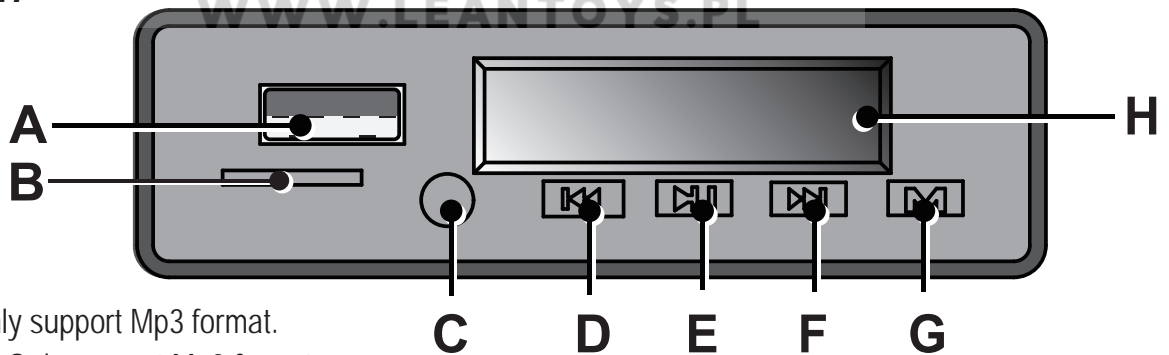


IMPORTANT!

Always stop vehicle when changing the speed or direction to avoid damage the gears and motor.



1. **Power Switch:** Turns the vehicle on and off.
2. **Forward/Reverse switch:** Changes the direction that vehicle moves from forward to reverse.
3. **Sounds buttons:** Press for sounds playing.
4. **Foot pedal:**
 - To move the car, press the pedal down.
 - To brake or slow down, release pressure from the pedal.
5. **Lights switch:** Turns the lights on and off.
6. **Mp3 player:**



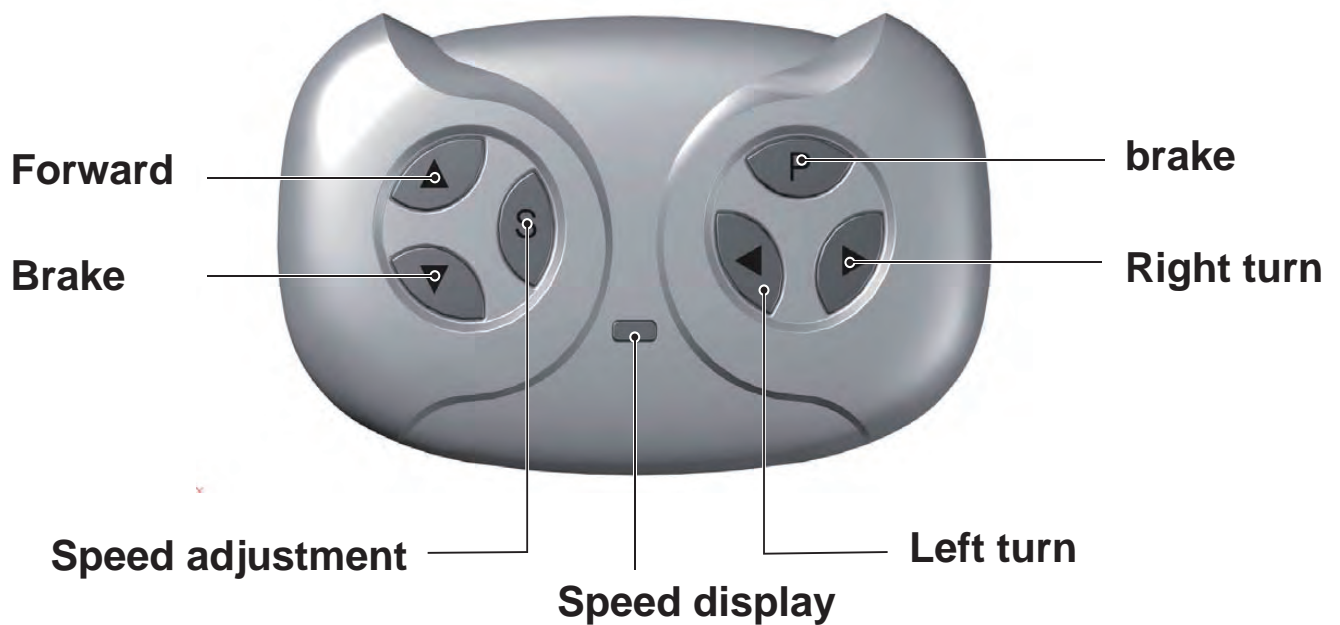
- A. **USB slot:** Only support Mp3 format.
- B. **TF card slot:** Only support Mp3 format.
- C. **Auxiliary input:** Allow the audio from your portable music player or phone to be played through the vehicle speakers.
- D. **Previous / Increase volume:** Long press for increasing the volume.
- E. **Play / Pause:** Playing and pausing the music.
- F. **Next / decrease volume:** Long press for decreasing the volume.
- G. **Change the audio input:** This button worked while you inserted two audio input devices.
- H. **Display screen:** It displays the power level of the battery when the vehicle is stop.

1WD : When the numerical value less than 5, recharge the battery please.

2WD : When the numerical value less than 10, recharge the battery please.

G

Use the Remote Controller



The remote control has precedence over foot pedal operation.
(The foot pedal won't work while you operate the Remote Controller)

ASSEMBLY

Lift the battery compartment door on the back of the controller and insert two AAA(LR03) batteries.

NOTE: This product did not included the AA(LR6) batteries. Follow the battery information on page 1.

1. Connection button

Long press the **Connection button** for 2~4 seconds first; Then turn on the power button located on the vehicle dashboard console, when the status indicator **flashes**, means the connection successful. If the status indicator no response, means the connection failed. Replace the batteries and repeat the steps above and try again.

2. Brake button

Press the button to stop the vehicle, press it again to release the brake.

3. Speed select button

The switch operates the vehicle to move in low, normal or high speed.

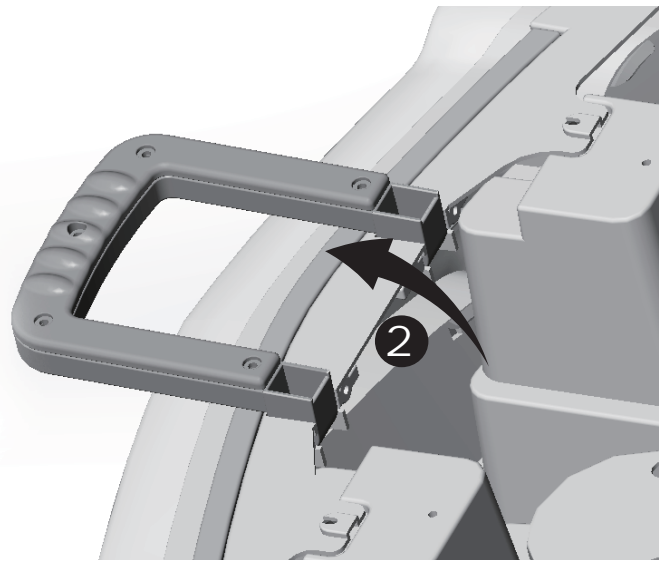
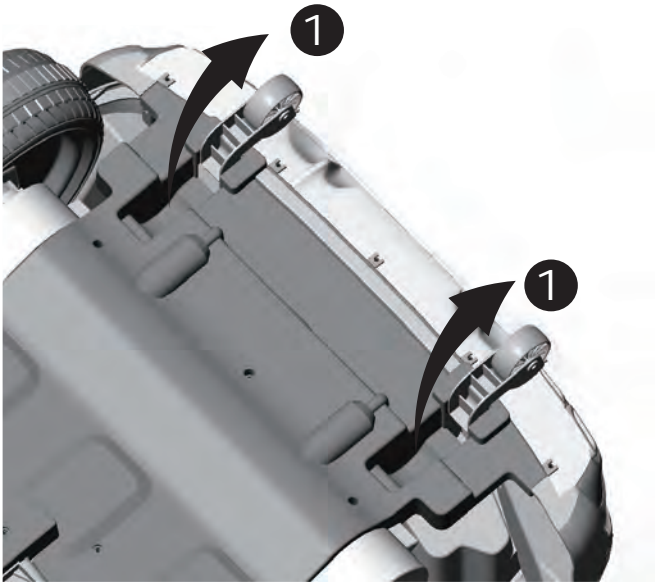
HINT: The vehicle is designed to operate in low speed only in reverse.

NOTE:

- Leave the remote controller idling for about 10 seconds, it will shut down automatically.
- Repeat step 1 when you replace the batteries of the remote controller.

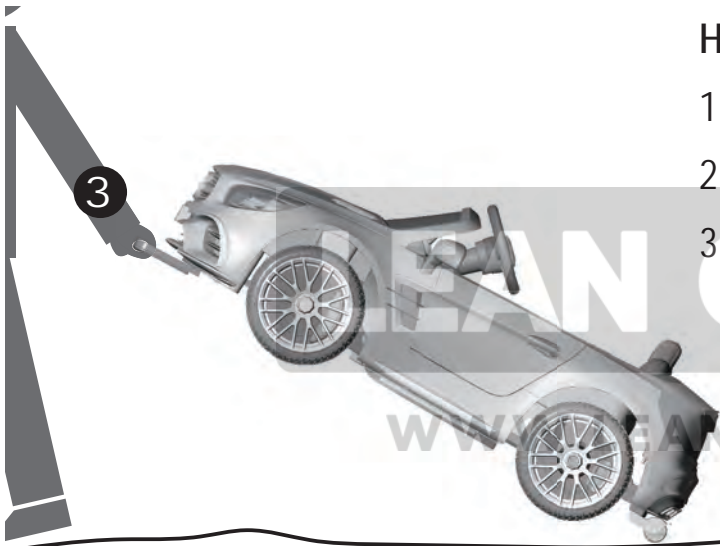
Use the Pull Handle & Remove the battery

H



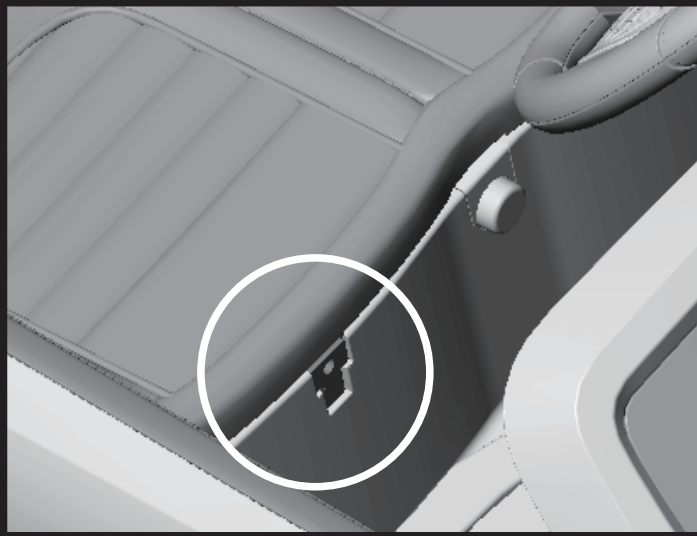
HOW TO USE THE PULL HANDLE

1. Rotate the support wheels out.
2. Rotate the Pull handle out.
3. You can move the vehicle by pulling.



WWW.HANTOYS.PL

Charging



- The POWER SWITCH must be turned in **OFF** position when charging.
- Before the first use, you should charge the battery for 4-6 hours. Do not recharge the battery for more than 10 hours to avoid overheating the charger.
- When the vehicle begins to run slowly, recharge the battery.

1. Plug the charger port into the input socket. (the socket is below the seat)
2. Plug the charger port into the charger socket on the battery.

WARNING!

- **ONLY** an **ADULT** can charge and recharge the battery!
- This product with **Charging Protection**: when charging, all functions will be cut off! Only an adult can charge and recharge the battery!

Maintaining

- It is parents' responsibility to check main parts of the toy before using, Must regularly examine for potential hazard, such as the battery, charge, cable or cord, plug, screws are fastening enclosure of other parts and that in the event of such damage, the toy must not be used until that damage had been properly removed.
- Make sure the plastic parts of the vehicle are not cracked or broken.
- Occasionally use a lightweight oil to lubricate moving parts such as wheels.
- Park the vehicle indoors or cover it with a tarp to protect it from wet weather.
- Keep the vehicle away from sources of heat, such as stoves and heaters. Plastic parts may melt.
- Recharge the battery after each use. Only an adult can handle the battery. Recharge the battery at least once a month when the vehicle Raider is not being used.
- Do not wash the vehicle with a hose. Do not wash the vehicle with soap and water. Do not drive the vehicle in rainy or snowy weather. Water will damage the motor, electric system and battery.
- Clean the vehicle with a soft, dry cloth. To restore shine to plastic parts, use a non-wax furniture polish. Do not use car wax. Do not use abrasive cleaners.
- Do not drive the vehicle in loose dirt, sand or fine gravel which could damage the moving parts, motors or the electric system.
- When not using, all the electrical source should be turn off. Turn off the power switch and disconnect the battery connection.

Troubleshooting Guide

K

Problem	Possible Cause	Solution
Vehicle does not run	Battery low on power	Recharge battery.
	Thermal fuse has tripped	Reset fuse, see <Fuse>
	Battery connector or wires are loose	Check that the battery connectors are firmly plugged into each other. If wires are loose around the motor contact your distributor please.
	Battery is dead	Replace battery, contact your distributor please.
	Electrical system is damaged	Contact your distributor please.
	Motor is damaged	Contact your distributor please.
Vehicle does not run very long	Battery is under charged	Check that the battery connectors are firmly plugged into each other when recharging
	Battery is old	Replace battery, contact your distributor please.
Vehicle runs sluggishly	Battery low on power	Recharge battery, contact your distributor please.
	Battery is old	Replace battery, contact your distributor please.
	Vehicle is overload	Reduce weight on vehicle. Maximum user weight is 30 kgs.
	Vehicle is being used in harsh conditions	Avoid using vehicle in harsh conditions ,see <Safety>.
Vehicle needs a push to go forward	Poor contact of wires or Connectors	Check that the battery connectors are firmly plugged into each other. If wires are loose around the motor, contact your distributor please.
	“Dead Spot” on motor	A dead spot means the electric power is not being delivered to the terminal connection and the vehicle needs repair. Contact your distributor please.
Difficult shifting from forward to reverse or vice-versa	Attempting to shift while the vehicle is motion	Completely stop the vehicle and shift, see <Use Your New Vehicle>
Loud grinding or clicking noises coming from motor or gear box	Motor or gears are damaged	Contact your distributor please.
Battery will not recharge	Battery connector or adapter connector is loose	Check that the battery connectors are firmly plugged into each other.
	Charger not plugged in	Check that the battery charger is plugged into a working wall outlet.
	Charger is not working	Contact your distributor please.
Charger feels warm when recharging	This is normal and not a cause for concern	

Completely read through this manual and the troubleshooting guide table before calling. If you still need help resolving the problem **Contact your distributor please.**

LEAN CARS

WWW.LEANTOYS.PL



LEAN CARS

WWW.LEANTOYS.PL



Disposal Of Battery

- Your sealed lead-acid battery must be recycled or disposed of in an environmentally sound manner.
- Do not dispose of your lead-acid battery in a fire. The battery may explode or leak.
- Do not dispose of a lead-acid battery in your regular, household trash. The incineration, land filling or mixing of sealed lead-acid batteries with household trash is prohibited by law.